

### Electromagnetic Gate Locks

Face Mount and Surface Mount

#### E-946FC-600Q

600-lb Holding Force

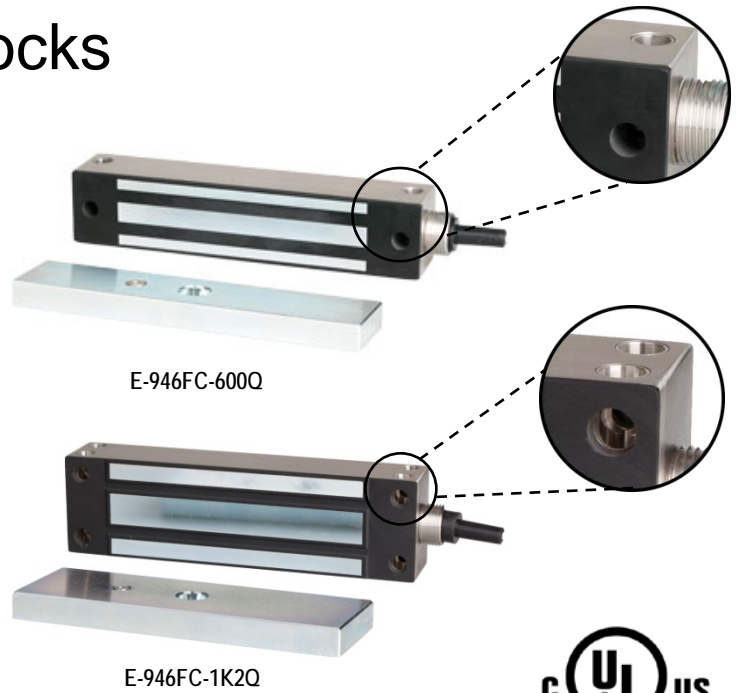
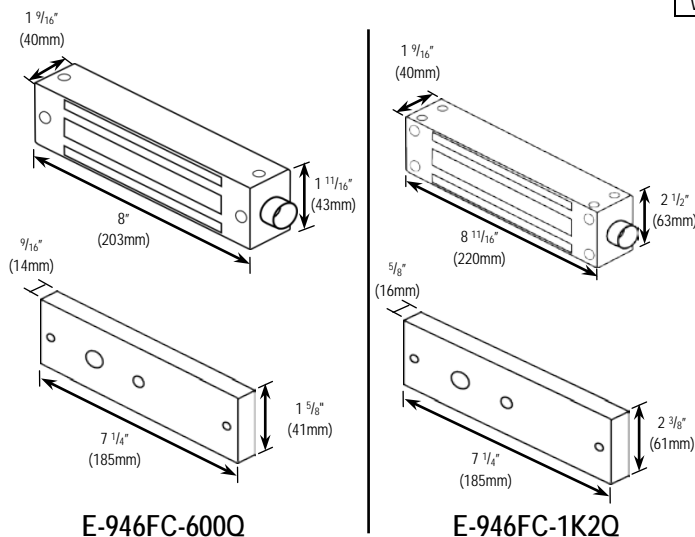
#### E-946FC-1K2Q

1,200-lb Holding Force

#### Features:

- Face and surface mounting
- For indoor & outdoor applications
- For sliding or swinging gates
- Water resistant and vandal resistant
- Maintenance-free, factory-sealed design
- Dual-threaded conduit fitting
- Attractive stainless-steel housing
- 6 1/2 ft (2m) Hookup cord (E-946FC-1K2Q)
- 3ft (91cm) Hookup cord (E-946FC-600Q)
- Dual voltage: 12/24 VDC Operation
- No residual magnetism
- MOV Surge protection
- Complete mounting hardware included
- "L" and "Z" brackets available

#### Dimensions:



#### Specifications:

Model	E-946FC-600Q	E-946FC-1K2Q
Holding force	600-lb (272kg)	1,200-lb (544kg)
Operating voltage	12VDC or 24VDC	
Current draw	12VDC	500mA
	24VDC	250mA
Operating temperature	14° ~ 131° F (-10° ~ 55° C)	
Dimensions	Magnet	8"x1 11/16"x1 9/16" (203x43x40 mm)
	Armature plate	7 1/4"x1 5/8"x1 9/16" (185x41x14 mm)
Weight (Approx.)	6.00-lb (2.7kg)	11.00-lb (5.0kg)

#### Optional SECO-LARM®

#### Electromagnetic Lock Accessories:

	Z Brackets	L Brackets
Description	Z Brackets	L Brackets
E-946FC-600Q	E-942F-600/Z	Not available
E-946FC-1K2Q	E-942F-1300/ZQ	E-946F-1K2/LQ

**SECO-LARM® U.S.A., Inc.**

16842 Millikan Avenue, Irvine, CA 92606

Phone: (949) 261-2999 | (800) 662-0800 Fax: (949) 261-7326

Website: [www.seco-larm.com](http://www.seco-larm.com) Email: [sales@seco-larm.com](mailto:sales@seco-larm.com)

Copyright 2015 © SECO-LARM U.S.A. Inc. All rights reserved. All trademarks are the property of SECO-LARM U.S.A., Inc. or their respective owners. The SECO-LARM policy is one of continual development. For that reason, SECO-LARM reserves the right to change prices and specifications without notice. SECO-LARM is not responsible for misprints.

**SECO-LARM® ENFORCER® CRIMEBUSTER® CBA SLI®**

Pi\_E-946FC-xxxQ\_151005.docx