

## Passive Video, Power, and Data Balun

### EB-P101-20VQ

#### Features:

- Transmits up to 1,300ft (400m) color video or up to 1,950ft (600m) B/W video
- Transmits power for 12/24 VAC/VDC cameras
- Transmits data up to 984ft (300m)
- High immunity from interference
- Includes DC plug and DC jack (only one used at a time)
- Pigtails for flexible installation
- Uses low-cost Cat5e/6 cable instead of costly coaxial cable
- RJ45 Jack for easy installation
- Passive operation – No external power required
- Built-in surge protection

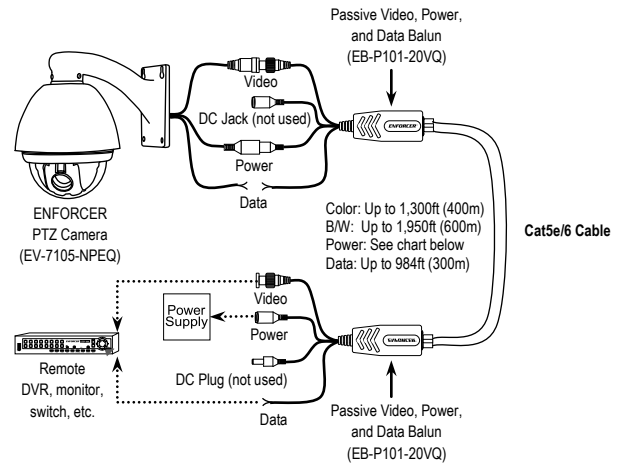


#### Specifications:

	Range*	B/W	1,950' (600m)
		Color	1,300' (400m)
Video format	NTSC, PAL, SECAM		
Maximum input	1.1Vp-p		
Insertion loss	<2dB per pair from DC~6MHz		
Return loss	>15dB from DC~6MHz		
Frequency response	DC~6MHz		
Common mode rejection	>40dB, 15kHz~6MHz		
Wire type	UTP (Unshielded Twisted Pair) 24~16 AWG		
Wire category	Cat2~Cat6		
Camera side	Video in	BNC	
	Power out	DC Plug or DC jack	
	Data out	2 Wires	
	Video out	RJ45	
Cable side	Power in	RJ45	
	Data in	RJ45	
	BNC Connection	Silver plated	
Attenuation	DC~6MHz, 6.6dB max.		
Impedance	Coax, male BNC	75Ω@1MHz	
	RJ45	100Ω@1MHz	
Other	Max. amperage	1.1A@12VDC	
	Power range*	656' (200m)@12/24 VAC/VDC	
	Data range*	984' (300m)	
	DC Loop resistance	52Ω/1000' (52Ω/305m)	
	Differential capacitance	19pF/ft max. (62pF/m max.)	
	Power	No power required	
	Operating temperature	32 ~131 F (0 ~55 C)	
	Storage temperature	-4 ~158 F (-20 ~70 C)	
	Humidity range	0~95 % (Non-condensing)	
	Case	ABS Plastic	
	Weight	2.3-oz (65g)	
	Cable length	5" (127mm) (longest cable)	
	Dimensions	2 3/8" x 1 1/8" x 1 3/16" (61x15x21 mm)	

#### Sample Application:

Connect a PTZ Camera to a DVR



#### Also Available from SECO-LARM®:

RJ45 to Terminal Block (CA-171T – Sold Separately):



Connect the CA-171T to the EB-P101-20VQ for the option of connecting Cat5e/6 cable via terminal block



\*Shorter range may result when used with a DVR.

### SECO-LARM®

16842 Millikan Ave, Irvine, CA 92606

Tel: 949-261-2999 / 800-662-0800 • Fax: 949-261-7326

sales@seco-larm.com • www.seco-larm.com



Copyright 2013 © SECO-LARM U.S.A, Inc. All rights reserved. The SECO-LARM policy is one of continual development. For that reason, SECO-LARM reserves the right to change prices and specifications without notice. SECO-LARM is not responsible for misprints.

SECO-LARM® ENFORCER® CRIMEBUSTER® CBA SLI®