

16-Channel Passive Video Transceiver

EB-P116-01Q Range: Up to 1,950ft (600m)

The ENFORCER 16-Channel Passive Video Transceiver allows CCTV cameras to connect to a DVR, video switcher, or multiplexer via inexpensive Cat5e/6 unshielded twisted pair (UTP) cable.

Features:

- Transmits up to 1,300ft (400m) color video or up to 1,950ft (600m) B/W video
- Built-in surge protection
- Passive operation – No external power required
- Transmits video over Cat5e/6
- Removable terminal blocks or RJ45 connectors
- Connects to cameras, DVRs, multiplexers, and other devices
- Rack-mount design integrates easily with existing rack-mount installations

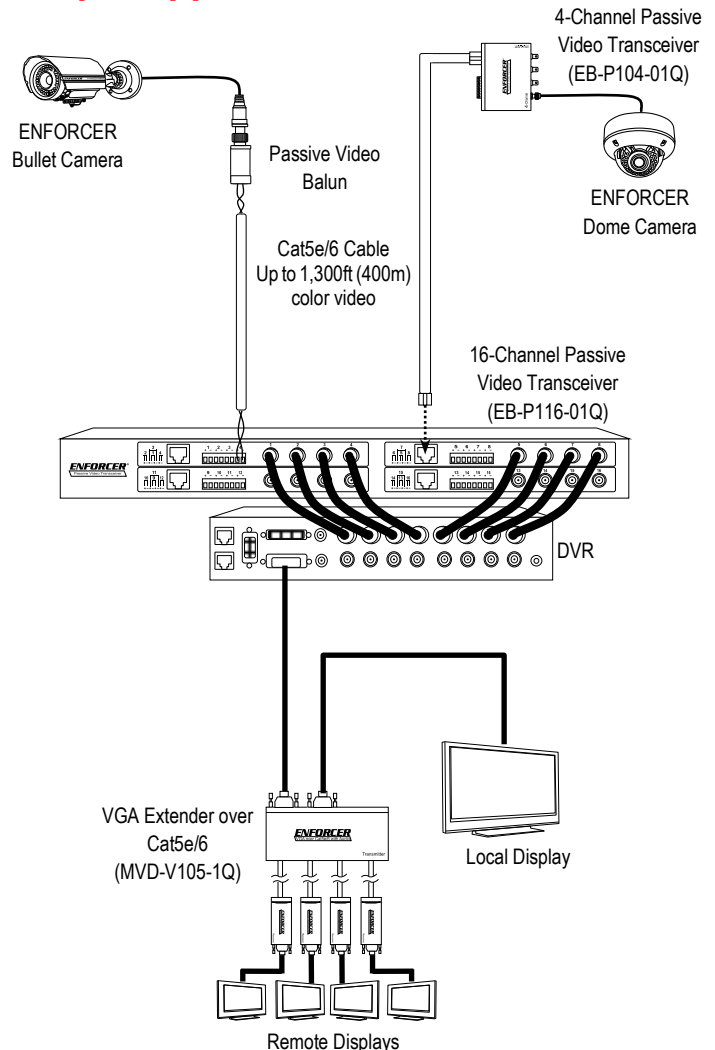
Specifications:

Model		EB-P116-01Q	
Video	Number of channels	16	
	Range*	B/W	1,950ft (600m)
		Color	1,300ft (400m)
	Video format	NTSC, PAL, SECAM	
	Maximum input	1.1Vp-p	
	Insertion loss	<2dB per pair from DC-6MHz	
	Return loss	>15dB from DC-6MHz	
	Frequency response	DC-6MHz	
Common mode rejection	>40dB, 15kHz-6MHz		
Connections	Wire type	UTP 24-16 AWG	
	Wire category	Cat2-Cat6	
	UTP Connection	Silver plated	
	Attenuation	DC-6MHz, 6.6dB max.	
	Impedance	Coax, male BNC	75Ω@1MHz
Terminal block		100Ω@1MHz	
RJ45		100Ω@1MHz	
Other	DC Loop resistance	52Ω/1,000ft (52Ω/305m)	
	Differential capacitance	19pF/ft max. (62pF/m max.)	
	Power	No power required	
	Operating temperature	32°-131° F (0°-55° C)	
	Storage temperature	-4°-158° F (-20°-70° C)	
	Humidity range	0-95 % (Non-condensing)	
	Case	Galvanized steel	
	Weight	44-oz (1,250g)	
Dimensions	16 ¹⁵ / ₁₆ "x3 ³⁵ / ₁₆ "x1 ¹³ / ₁₆ " (430x85x45 mm)		

*Shorter range may result when used with a DVR.



Sample Application:



SECO-LARM®

16842 Millikan Ave, Irvine, CA 92606
 Tel: 949-261-2999 / 800-662-0800 • Fax: 949-261-7326
 sales@seco-larm.com • www.seco-larm.com



Copyright 2013 © SECO-LARM U.S.A, Inc. All rights reserved.
 The SECO-LARM policy is one of continual development. For that reason, SECO-LARM reserves the right to change prices and specifications without notice. SECO-LARM is not responsible for misprints.

SECO-LARM ENFORCER® CRIMEBUSTER® CBA SLI®