

VPD Passive Endpoint Combiner

EB-P316-60EQ 16 Channel Video/Power/Data Passive Endpoint Combiner

ENFORCER VPD (Video/Power/Data) Combiners work in conjunction with standard passive VPD baluns and RJ45 cables to simplify and organize a large scale CCTV installation. Using this allows for increased flexibility and simplified, more organized cable installation, providing power to cameras while delivering high quality video all over a single CAT5e/6 cable. Troubleshooting is therefore greatly simplified and clutter reduced. ENFORCER VPD combiners are compatible with all HD analog, including HD-AHD, HD-CVI, and HD-TVI, as well as traditional analog formats.

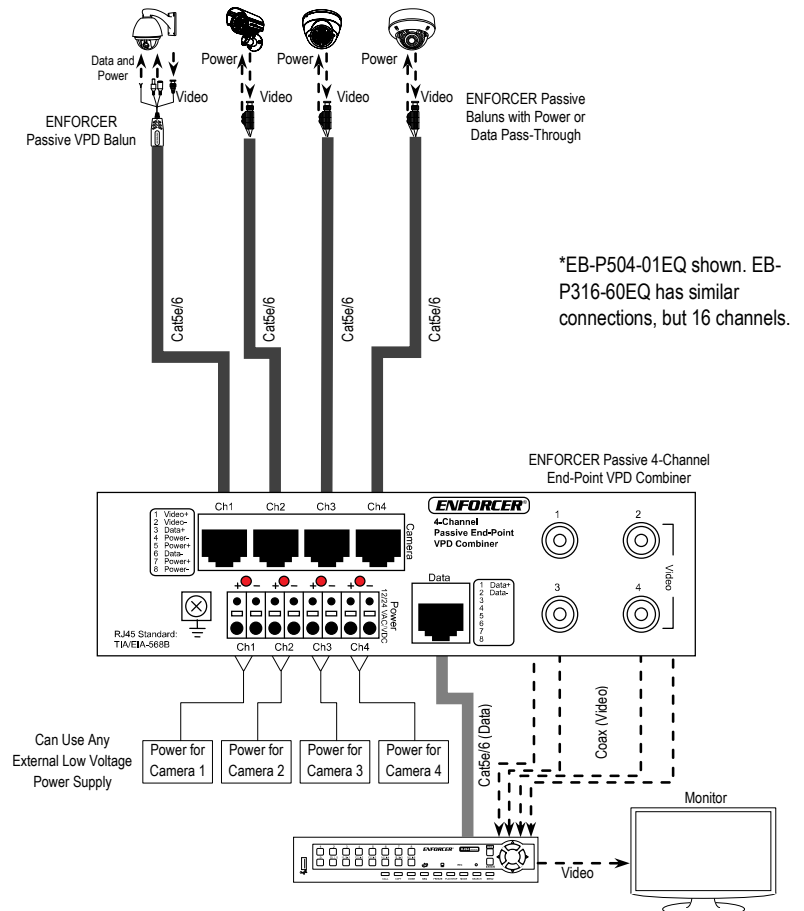
Features:

- Video, power, and data over a single category cable
- Compatible with all traditional and HD analog formats, including HD-AHD, HD-CVI, and HD-TVI
- Built-in passive transceiver baluns
- Used in end-span applications
- Supports up to sixteen (16) cameras
- Power LED indicator for each channel
- Can transfer HD analog video up to 1,476ft (450m)*
- Use any external low-voltage power supply
- Rack-mountable using included brackets



EB-P316-60EQ

Sample Application:



* 720p HD-CVI video; other formats will have different maximum ranges. See the included specification chart for complete range information

Specifications:

Model #		EB-P316-60EQ
Type		Passive Midpoint
Channels		16
Video Range	CVBS	984' (300m)
	HD-AHD	720p: 1050' (320m); 1808p: 722' (220m)
	HD-CVI	720p: 1476' (450m); 1080p: 820' (250m)
	HD-TVI	720p/1080p: 820' (250m)
Video format		NTSC, PAL, SECAM
Maximum input		1Vp-p
Insertion loss		0.3dB per pair from 20kHz~60Mhz
CMMR		60dB, 20kHz~60MHz
Wire Category		CAT5e~CAT6
BNC Connection		Nickel-plated
Impedance	Coax	75Ω@1MHz
	RJ45	100Ω@1MHz
Max. amperage		1A@12VDC/24VAC
Data Range		2,400' (800m)
DC Loop Resistance		29Ω/1,000' (9.5Ω/100m)
Differential capacitance		19pF/ft max (62pf/m max)
Output Voltage		N/A
Fuse		1.5A max/CH
Input power		N/A
Input power fuse		N/A
Operating Temperature		-14~140°F (-10~60°C)
Humidity Range		0~95%, non-condensing
Case Material		Steel
Weight		2.2-lbs (998g)
Dimensions		¹⁶ / ₁₆ " x ¹³ / ₄ " x ¹⁵ / ₁₆ " (430mm x 44mm x 33mm)

Also Available:



16-Port Passive Video Transceiver



Passive Video, Power, and Data Balun



Passive Power or Data Pass-Through Video Balun



Rack Mount Power Supply



Illuminated Power Connectors



4-Port Passive Video Transceiver

SECO-LARM® U.S.A., Inc.

16842 Millikan Avenue, Irvine, CA 92606

Phone: (949) 261-2999 | (800) 662-0800 Fax: (949) 261-7326

Website: www.seco-larm.com Email: sales@seco-larm.com



Copyright 2015 © SECO-LARM U.S.A., Inc. All rights reserved.
All trademarks are the property of SECO-LARM U.S.A., Inc. or their respective owners.
The SECO-LARM policy is one of continual development. For that reason, SECO-LARM reserves the right to change prices and specifications without notice. SECO-LARM is not responsible for misprints.

SECO-LARM® ENFORCER® CRIMEBUSTER® CBA SLI®

PI_EB-P316-60EQ_151103