

Elite Passive Video Balun with Pigtail Connector

EB-P501-20Q

The fast, easy, and low-cost way to connect a CCTV camera to a monitor or DVR. All SECO-LARM passive video baluns transmit the video signal of a single CCTV camera over long distances via low-cost Cat5e/6 cable. The EB-P501-20Q features a 6" pigtail connector for more flexibility during installation.

Features:

- Gold-plated BNC for greater reliability and longer life
- Transmits up to 1,300ft (400m) color video, 1,950ft (600m) B&W video
- Passive operation – No external power required
- Uses low-cost Cat5e/6 cable instead of costly coaxial cable
- Terminal blocks – No crimping required
- High immunity from interference
- Small size (1 1/4" x 9/16" x 9/16") allows for mounting multiple units behind a DVR
- Sleek design incorporates ergonomic grip for easy installation
- 6" BNC pigtail connector for flexible installation
- Lifetime warranty

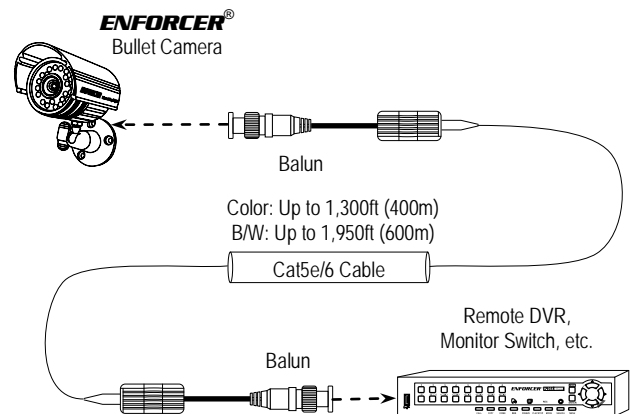
Specifications:

	Range*		
	B/W	Color	
Video	Range*	B/W	1,950' (600m)
		Color	1,300' (400m)
	Video format		PAL, NTSC, SECAM
	Maximum input		1Vp-p
	Insertion loss		<2dB per pair from DC-6MHz
	Return loss		>18dB from DC-6MHz
	Frequency response		DC-6MHz
Connections	Common mode rejection		60dB, 15kHz-6MHz
	Wire type		UTP (Unshielded Twisted Pair) 24-16 AWG
	Wire category		Cat2 min.
	UTP Connection		Gold plated
	Attenuation		DC-6MHz, 2dB max.
Impedance	Coax, male BNC		75Ω@1MHz
	Terminal block		100Ω@1MHz
Other	DC Loop resistance		52Ω/1000' (18Ω/100m)
	Differential capacitance		19pF/ft max. (62pF/m max.)
	Power		No power required
	Max. amperage		3A@12VDC, 1.5A@24VAC
	Operating temperature		32°-131° F (0°-55° C)
	Storage temperature		-4°-185° F (-20°-85° C)
	Humidity range		0-95% (Non-condensing)
	Case		ABS Plastic

*Shorter range may result when used with a DVR.



Sample Application:



Also Available from SECO-LARM:

Elite Passive Video Balun with Power OR Data Pass-Through EB-P501-02Q



- Gold-plated BNC connectors
- Range: Up to 1,300ft (400m)
- Terminal blocks – No crimping required
- Patented design includes terminals for power or data pass-through

SECO-LARM®

16842 Millikan Ave, Irvine, CA 92606
Tel: 949-261-2999 / 800-662-0800 • Fax: 949-261-7326
sales@seco-larm.com • www.seco-larm.com