

3X Series

3.6mm Fixed Lens Vandal-Resistant Ball-Mount Cameras (700 TVL, 960H High Resolution)

EV-2726-N3GQ

3.6mm, 24 IR LEDs, 50' Range, Gray

EV-2726-N3WQ

3.6mm, 24 IR LEDs, 50' Range, White

Features:

- 1/3" Sony Super HAD II CCD
- Sony Effio-V DSP
- 700 TV Lines
- 960H High resolution
- 3.6mm Lens
- 24 IR LEDs, 50ft IR range
- Wide Dynamic Range (WDR) provides clear images even in strong backlight
- 3D Digital Noise Reduction (3D-DNR) for clear images in low light
- 360° Triple-Axis Rotation
- Heavy-duty vandal-resistant design
- Day/Night operation: 0 Lux LEDs on, 0.03 Lux LEDs off
- Cables concealed in bracket to prevent tampering
- Rugged, weatherproof (IP65) construction
- Split-glass design to eliminate IR reflection
- OSD Control for programming special features
- Mounting brackets available in white and gray



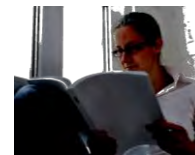
EV-2726-N3GQ



EV-2726-N3WQ

Wide Dynamic Range (WDR)

WDR Off



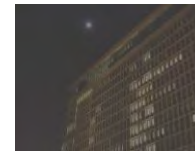
WDR On



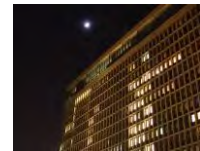
Captures a clean, high-resolution image, even with strong backlight

3D Digital Noise Reduction (3D DNR)

3D DNR Off



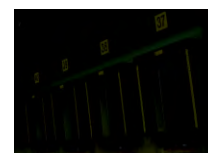
DNR On



Cleans and sharpens images by reducing camera noise

IR LEDs

IR LEDs Off



IR LEDs On



Produces a clear image in total darkness

Optional Mounting Brackets Available:

Conduit Box	Conduit Drop	Ceiling	Wall

SECO-LARM® U.S.A., Inc.

16842 Millikan Avenue, Irvine, CA 92606

Phone: (949) 261-2999 | (800) 662-0800 Fax: (949) 261-7326

Website: www.seco-larm.com Email: sales@seco-larm.com



Copyright 2014 © SECO-LARM U.S.A., Inc. All rights reserved.

The SECO-LARM policy is one of continual development. For that reason, SECO-LARM reserves the right to change prices and specifications without notice. SECO-LARM is not responsible for misprints.

SECO-LARM® ENFORCER® CRIMEBUSTER® CBA SLI®

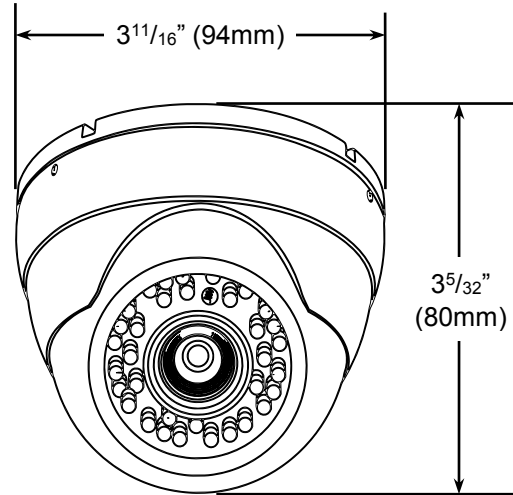
PIEV-2726-N3xQ_1407.docx

3x Series Vandal Rollerball Cameras

Specifications:

Model	EV-2726-N3GQ / EV-2726-N3WQ	
Chip	1/3" Sony Super HAD II CCD	
DSP	Sony Effio-V	
Resolution	700 TV Lines	
Pickup elements	976x494 (NTSC) / 976x582 (PAL)	
3D-NR	Yes	
WDR	Yes	
OSD Control	Yes	
960H*	Yes	
Scanning system	2:1 Interlace	
Sync	Internal	
Video output	1.0V p-p composite output, 75Ω	
Lens	3.6mm	
# of IR LEDs	24 (850nm)	
IR Range	Up to 50' (15m)	
Minimum illumination	LEDs off	0.03 Lux
	LEDs on	0.0 Lux
S/N Ratio	>52dB	
DSS (Digital Slow Shutter)	256x	
Operating voltage	12VDC	
Current draw	IR off	150mA
	IR on	450mA
IP Rating	IP65	
Operating temperature	14°~122° F (-10°~50° C)	
Dimensions	3 ^{11/16} "x3 ^{9/32} " (94x80 mm)	
Cable length	38" (98cm)	
Weight	14-oz (400g)	

Dimensions:



EV-2726-N3GQ / EV-2726-N3WQ

*In order to take full advantage of 960H resolution, the camera must be used with a 960H DVR.

Mounting Bracket Ordering Information:

Model	Conduit Box	Conduit Drop	Ceiling	Wall
EV-2726-N3GQ				
EV-2726-N3WQ	EV-DSSGQ	EV-DDSGQ	EV-DCSGQ	EV-DWSGQ
	EV-DSSWQ	EV-DDSWQ	EV-DCSWQ	EV-DWSWQ

**"G" in model number indicates gray; "W" in model number indicates white.

SECO-LARM® U.S.A., Inc.

16842 Millikan Avenue, Irvine, CA 92606

Phone: (949) 261-2999 | (800) 662-0800 Fax: (949) 261-7326

Website: www.seco-larm.com Email: sales@seco-larm.com



Copyright 2014 © SECO-LARM U.S.A., Inc. All rights reserved.

The SECO-LARM policy is one of continual development. For that reason, SECO-LARM reserves the right to change prices and specifications without notice. SECO-LARM is not responsible for misprints.

SECO-LARM® ENFORCER® CRIMEBUSTER® CBA SLI®