

Mid-Size IR Vandal Domes

- EV-2166-N3WQ** 420 TV lines, 3.6mm lens
- EV-2766-N3WQ** 540 TV lines, 3.6mm lens
- EV-2166-NVWQ** 420 TV lines, 4~9mm lens
- EV-2766-NVWQ** 540 TV lines, 4~9mm lens

Features:

- ▶ Heavy-duty, vandal-resistant design
- ▶ 1/3" Sony Super HAD II CCD
- ▶ 18 IR LEDs: up to 65ft range (3.6mm models),
21 IR LEDs: up to 80ft range (4~9mm models)
- ▶ 3-Axis gimbal for wall or ceiling mounting
- ▶ Weatherproof for outdoor use
- ▶ Additional features include Auto Electric Shutter,
Gain Control, and White Balance
- ▶ 420 or 540 TV lines available

Specifications:

	2166-N3WQ	2166-NVWQ	2766-N3WQ	2766-NVWQ
Type	Mid-Size Vandal Dome			
CCD	1/3" Sony Super HAD II			
Resolution	420 TV lines		540 TV lines	
Lens	3.6mm	4~9mm	3.6mm	4~9mm
# of IR LEDs	18 (850nm)	21 (850nm)	18 (850nm)	21 (850nm)
IR range	65ft (20m)	80ft (25m)	65ft (20m)	80ft (25m)
Pickup elements	510x492 pixels		768x494 pixels	
Sync	Internal			
Video output	1.0Vp-p composite video, 75Ω			
Minimum illumination	0-lux (LEDs ON)			
S/N ratio	>48dB			
Shutter control	Auto Electric Shutter (AES)			
Gain control	Auto			
White balance	Auto			
Operating voltage	12VDC ±10%			
Current draw	LEDs OFF			
	100mA			
Current draw	LEDs ON		LEDs ON	
	200mA	250mA	200mA	250mA
IP Rating	IP65			
Operating temperature	-4 ~122 F (-20 ~50 C)			
Dimensions	4 1/4" x 3 1/2" (108x89 mm)			
Weight	18-oz (500g)			

Note: PAL models also available as a special-order item. Contact SECO-LARM for details.

SECO-LARM
16842 Millikan Avenue
Irvine, CA 92606

Tel: 1-949-261-2999
1-800-662-0800
Fax: 1-949-261-7326

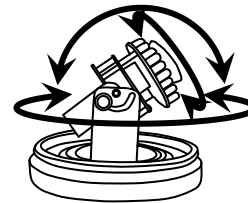
Web: www.seco-larm.com
Email: info@seco-larm.com



Copyright © 2011
SECO-LARM U.S.A., Inc.
All rights reserved

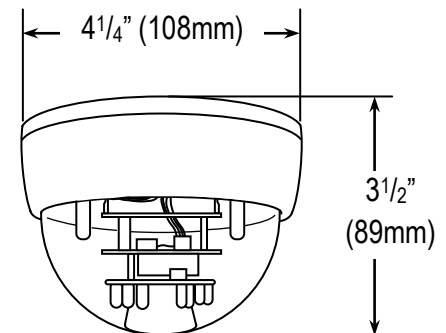


3-Axis Gimbal:



Move the camera along its 3 axes to adjust the pan, tilt, or rotation.

Dimensions:



3 1/2"
(89mm)