

IR over HDMI Kit

MVE-PN11-01Q

Features:

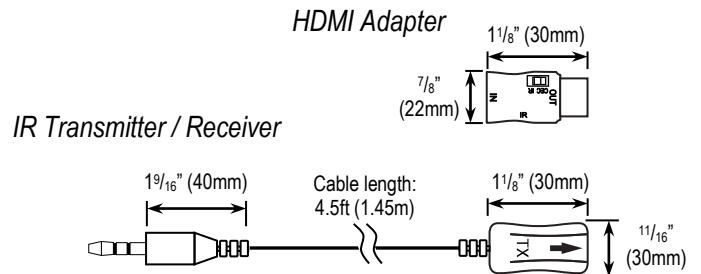
- Add IR remote pass-through to installations where an HDMI source is in a different room than the HDMI display using existing HDMI cables
- Discreet, convenient design – adapters install between the devices and the HDMI cables
- IR Transmitter and receiver are each built with a 4.5ft (1.45m) cord for added convenience while installing
- Compatible with other ENFORCER products (sold separately): 4x1 HDMI Switch (**MVS-AH41-01NQ**), 1x4 HDMI Splitter (**MVD-AH14-01NQ**), and 4x4 HDMI Matrix (**MVM-AH44-01YQ**)
- Includes 2 HDMI adapters, 1 IR transmitter, and 1 IR receiver



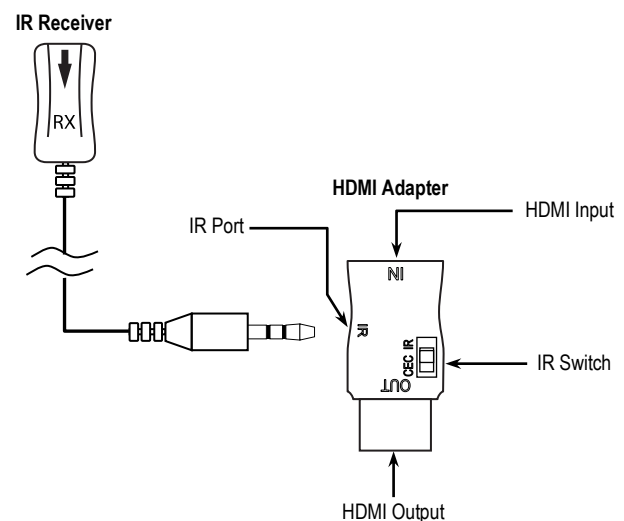
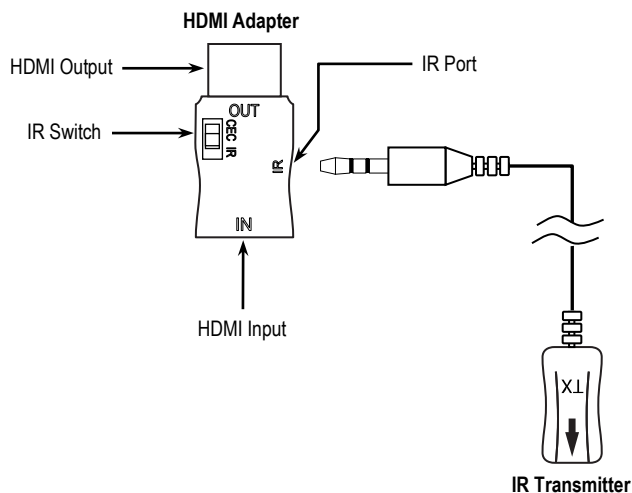
Specifications:

Model	MVE-PN11-01Q	
Type	IR over HDMI Kit	
Video formats supported	High-speed HDMI with 3D, HDCP 1.2	
Frequency	33~60 kHz (Dual band)	
Dimensions	IR Transmitter	1 1/8" x 1 1/16" x 1/2" (30x18x12 mm)
	IR Receiver	1 1/8" x 1 1/16" x 1/2" (30x18x12 mm)
	HDMI Adapter	1 1/8" x 7/8" x 3/8" (30x22x10 mm)
	Cable	4.5' (1.45m)
	Jack	3.5mm
Weight	2.2-oz (62g)	

Dimensions:



Overview:



SECO-LARM® U.S.A., Inc.

16842 Millikan Avenue, Irvine, CA 92606

Phone: (949) 261-2999 | (800) 662-0800 Fax: (949) 261-7326

Website: www.seco-larm.com Email: sales@seco-larm.com



Copyright 2014 © SECO-LARM U.S.A., Inc. All rights reserved.

The SECO-LARM policy is one of continual development. For that reason, SECO-LARM reserves the right to change prices and specifications without notice. SECO-LARM is not responsible for misprints.

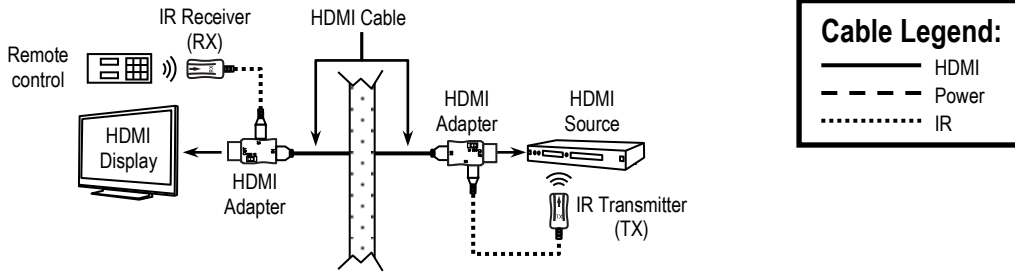
SECO-LARM® ENFORCER® CRIMEBUSTER® CBA SLI®

Pi_MVE-PN11-01NQ_1406.docx

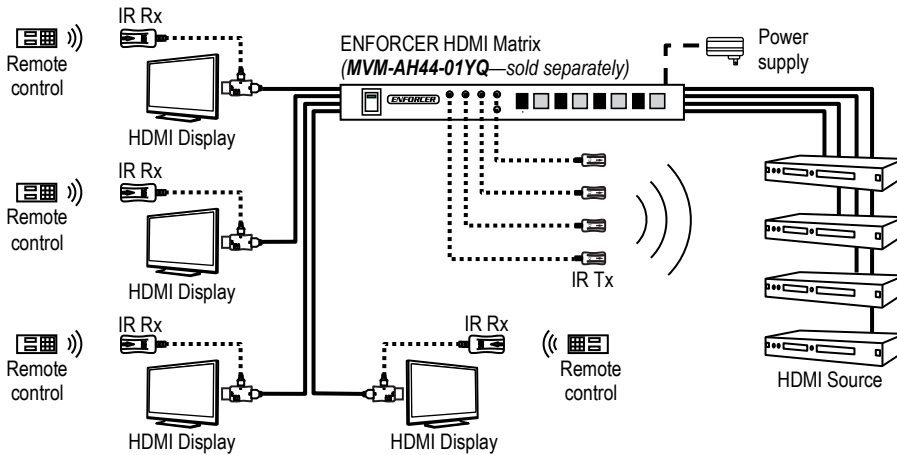
IR over HDMI Kit

Sample Application:

Display connected to source in another room



Multiple sources and displays connected to an HDMI matrix



Also Available from SECO-LARM:

ENHANCED Extenders for HDMI



MVE-AT11-01NQ

4x1 HDMI Switch



MVS-AH41-01NQ

1x4 HDMI Splitter



MVD-AH14-01NQ

4x4 HDMI Matrix



MVM-AH44-01YQ

Wireless Extender for HDMI



MVE-WH010Q

High-Speed HDMI Cables



MC-1102 Series
9 Sizes available: 1.5ft~50ft

SECO-LARM® U.S.A., Inc.

16842 Millikan Avenue, Irvine, CA 92606

Phone: (949) 261-2999 | (800) 662-0800 Fax: (949) 261-7326

Website: www.seco-larm.com Email: sales@seco-larm.com



Copyright 2014 © SECO-LARM U.S.A., Inc. All rights reserved.

The SECO-LARM policy is one of continual development. For that reason, SECO-LARM reserves the right to change prices and specifications without notice. SECO-LARM is not responsible for misprints.

SECO-LARM® ENFORCER® CRIMEBUSTER® CBA SLI®

Pi_MVE-PN11-01NQ_1406.docx