

## 4x1 HDMI Switch

### MVS-AH41-01NQ

#### Features:

- Add four HDMI inputs to almost any high-definition TV or HDMI display
- Supports up to 1080p resolution and 3D video
- Individual status LEDs for each HDMI input
- Switch will automatically select the active input for added convenience
- Use with IR over HDMI Kit (MVE-PN11-01Q) to control the HDMI switch or HDMI sources via remote control even if they have been hidden away
- Includes remote control for switching between inputs and 5VDC power supply

#### Specifications:

Model	<b>MVS-AH41-01NQ</b>
Type	HDMI Switch
Input video signal	5.0Vp-p
Video formats supported	High-speed HDMI with 3D, HDCP 1.2
Audio formats supported	LPCM, Dolby-AC3, DTS 7.1, DSD
Output video	HDMI
Resolutions supported	1080p/1080i/720p/576p/576i/480p/480i
Video amplifier bandwidth	6.75Gbps
Video input connector	4x HDMI Type A 19-pin female
Maximum input cable length	24AWG: 50' (15m); 26AWG: 30' (10m); 28AWG: 16' (5m)
Video output connector	1x HDMI Type A 19-pin female
Maximum output cable length	24AWG: 65' (20m); 26AWG: 50' (15m); 28AWG: 16' (5m)
Operating voltage	5VDC
Power supply	1.2A@5VDC (2.1mm plug)
Current draw (single unit)	490mA@5VDC
Operating temperature	32°~158° F (0°~70° C)
Operating humidity	5~90% RH (no condensation)
Dimensions	3"x4 <sup>3</sup> / <sub>8</sub> "x1 <sup>5</sup> / <sub>16</sub> " (76x111x24 mm)
Weight	7.8-oz (219g)

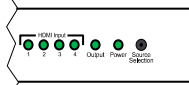
#### Status LEDs and Source Selection:

**Output LED:**  
Illuminated when the HDMI display is connected and ON.

**Input LEDs (1~4):**  
Illuminated when the corresponding HDMI source is connected and ON.

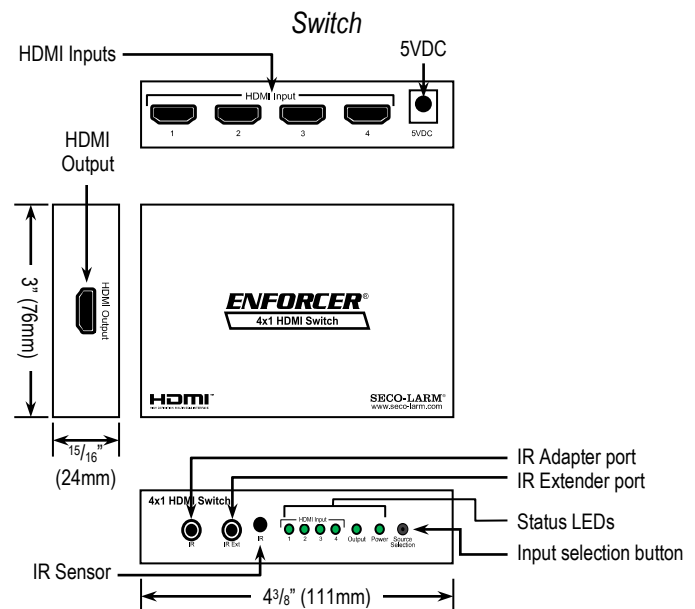
**Power LED:**  
Illuminated when power is connected to the splitter.

**Source Selection Button:**  
Press to cycle through the HDMI sources.

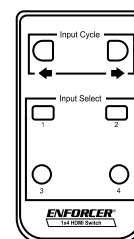




#### Overview:



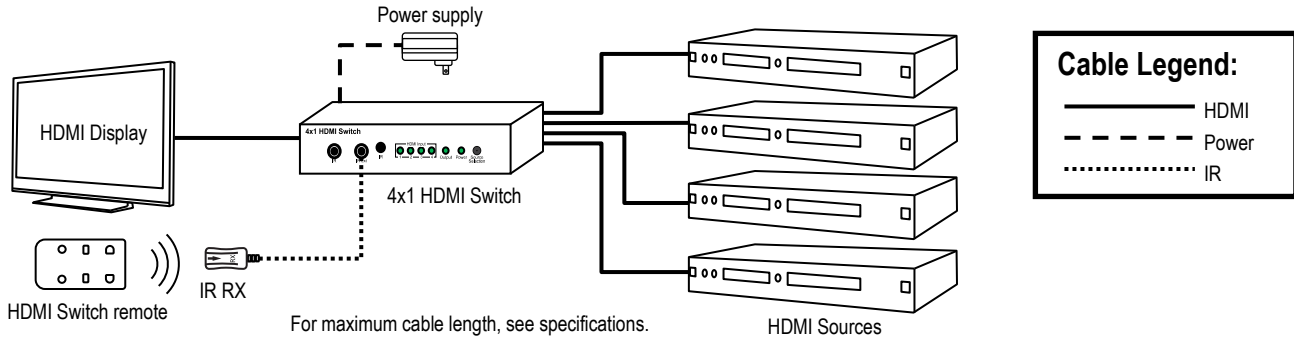
#### Remote



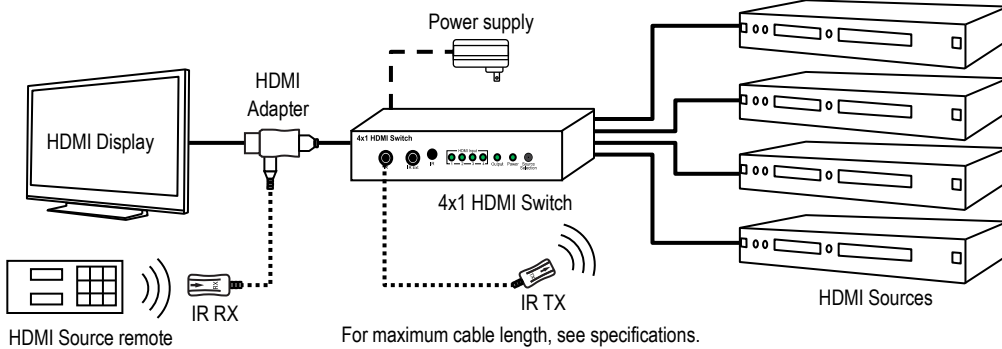
## 4x1 HDMI Switch

### Sample Application:

Installation with optional IR over HDMI Kit for controlling a concealed HDMI Switch with remote (requires the **MVE-PN11-01Q** – sold separately)



Installation with optional IR over HDMI Kit for controlling concealed HDMI sources with remote (requires the **MVE-PN11-01Q** – sold separately)



### Also Available from SECO-LARM:

#### ENHANCED Extenders for HDMI



MVE-AT11-01NQ

#### IR over HDMI Kit



MVE-PN11-01Q

#### 1x4 HDMI Splitter



MVD-AH14-01NQ

#### 4x4 HDMI Matrix



MVM-AH44-01YQ

#### Wireless Extender for HDMI



MVE-WH010Q

#### High-Speed HDMI Cables



MC-1102 Series  
9 Sizes available: 1.5ft~50ft

### SECO-LARM® U.S.A., Inc.

16842 Millikan Avenue, Irvine, CA 92606

Phone: (949) 261-2999 | (800) 662-0800 Fax: (949) 261-7326

Website: [www.seco-larm.com](http://www.seco-larm.com) Email: [sales@seco-larm.com](mailto:sales@seco-larm.com)



Copyright 2014 © SECO-LARM U.S.A., Inc. All rights reserved.

The SECO-LARM policy is one of continual development. For that reason, SECO-LARM reserves the right to change prices and specifications without notice. SECO-LARM is not responsible for misprints.

SECO-LARM® ENFORCER® CRIMEBUSTER® CBA SLI®