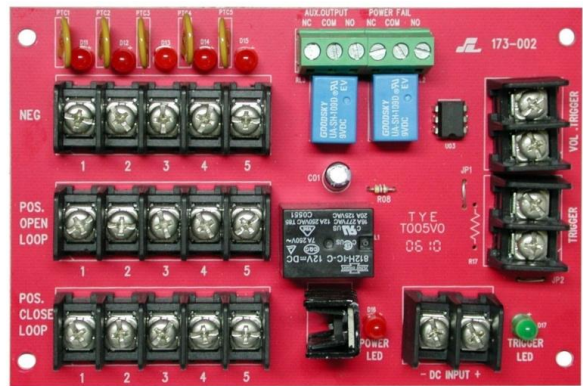


Access Control Power Distribution Board

PD-5PAQ 5 outputs, output fuse: 1.1A @ 12 or 24VDC

Features:

- ▶ Five individually PTC¹-fused outputs.
- ▶ Each output will operate in both fail-safe and fail secure modes
- ▶ Output fuses rated 1.1 Amps
- ▶ Individual LED status indicator for each output, power input, and trigger
- ▶ For 12VDC or 24VDC operation
- ▶ Power failure supervision relay (3 Amps @ 24VDC)
- ▶ Auxiliary supervision relay (3 Amps @ 24VDC).
- ▶ Equipped with dry and wet trigger inputs
- ▶ Dimensions – 3⁹/₁₆" x 5⁵/₁₆" x 1¹/₁₆" (90 x 135 x 27mm)



Specifications:

Model	PD-5PAQ
Type	Power Distribution Board
Output fuse type	PTC ¹
Output fuse rating	1.1A
No. of Output	5
Dimensions	3 ⁹ / ₁₆ " x 5 ⁵ / ₁₆ " x 1 ¹ / ₁₆ " (90 x 135 x 27mm)

¹Positive Temperature Coefficient, auto-reset current limiting

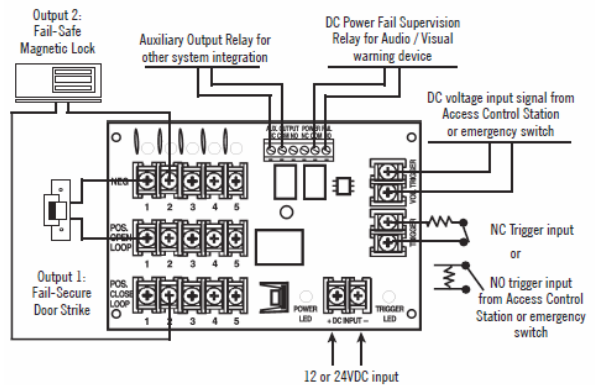
Compatible With:

Access Control Power Supply

EAP-5D1MQ (5 Amp Power Supply/Charger Module)

EAP-5D1Q (5 Amp Power Supply with metal enclosure)

Sample Installation:



SECO-LARM

16842 Millikan Avenue
Irvine, CA 92606

Tel: 1-949-261-2999
1-800-662-0800
Fax: 1-949-261-7326

Web: www.seco-larm.com
Email: info@seco-larm.com



Copyright © 2011
SECO-LARM U.S.A., Inc.
All rights reserved