

Request-to-Exit Plate with Status LED and Adjustable Buzzer

SD-7217-GSBQ

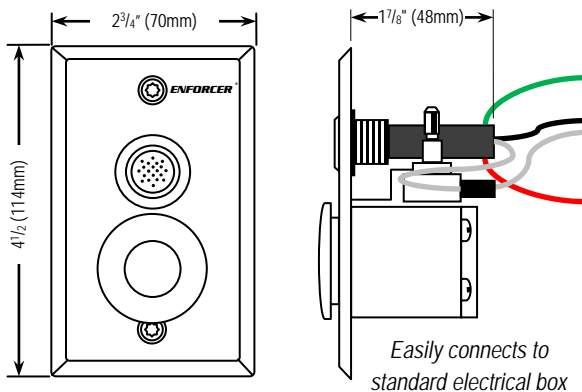
Features:

- Vandal-resistant buzzer with adjustable sound level for audible status indicator
- Selectable dual-color LED (red/green) for visual status indicator
- Buzzer and LED can be configured separately
- 12/24 VDC operation
- NO/NC contacts rated 10A@125 VAC

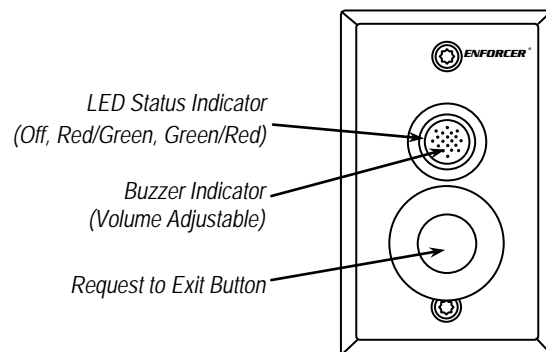


LED On (Green)

Dimensions:



Feature Diagram:



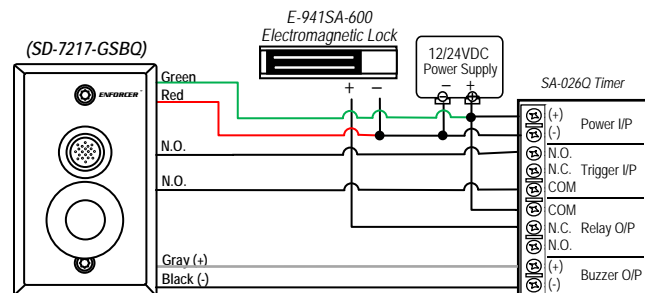
Specifications:

Model	SD-7217-GSBQ	
Operating voltage	12/24 VDC	
Current rating	LED	15mA@12 VDC
	Buzzer	15mA@12 VDC
Contact Type:	NO/NC	
LED Color	Red/Green selectable	
Buzzer sound level	85-95dB@4" (10cm) (adjustable)	
Buzzer adjustment	Variable resistor (VR)	
Operating Temperature	-40° ~167° F (-40° ~75° C)	
Dimensions	4 1/2" x 2 3/4" x 1 7/8" (114x70x48 mm)	
Weight	7.6-oz (215g)	

Sample Application:

Constant On LED, Buzzer Sounds When Activated

Green LED constant on (color selectable red/green.) When button is pressed, door is unlocked, LED remains on, and buzzer sounds until door relocks



Note: Lock and Timer not included

SECO-LARM® U.S.A., Inc.

16842 Millikan Avenue, Irvine, CA 92606

Phone: (949) 261-2999 | (800) 662-0800 Fax: (949) 261-7326

Website: www.seco-larm.com Email: sales@seco-larm.com