

Request-to-Exit Plate with Delayed Egress Timer

SD-7428-GSEQ

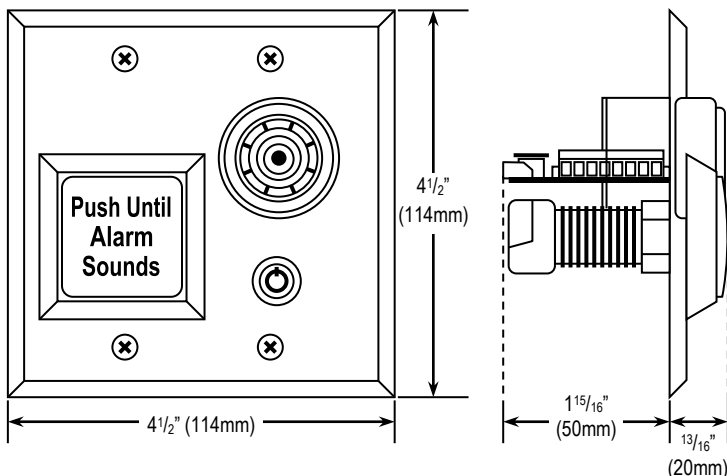
The **ENFORCER®** Request-to-Exit Plate with Delayed Egress Timer allows for a controlled exit from a room protected by an electromagnetic door lock. After the user presses the green button and the buzzer sounds, a programmable pre-exit delay timer begins. The door unlocks and stays unlocked until the system is re-energized using the included keys and keyswitch.

Features:

- Programmable nuisance delay timer (0~3 seconds) to prevent accidental door unlocking
- Adjustable pre-delay timer (1~30 seconds until the door unlocks)
- 12~24 VDC Operation
- Form C relay outputs for lock relay and remote alarm relay
- Built-in 100dB buzzer
- Fits standard double-gang backbox
- Keyswitch to re-energize door lock



Dimensions:



Specifications:

Operating voltage		12~24 VDC
Current draw	Standby	60mA@12VDC 90mA@24VDC
	Release delay	150mA@12VDC, 55mA@24VDC
	Lock relay output	10mA@12VDC, 15mA@24VDC
Lock control output		3A@30VDC, Form C, NO/NC/COM
Remote alarm output		3A@30VDC, Form C, NO/NC/COM
Buzzer sound level		12VDC: 95db@1m, 24VDC: 100db@1m

SECO-LARM® U.S.A., Inc.

16842 Millikan Avenue, Irvine, CA 92606

Phone: (949) 261-2999 | (800) 662-0800 Fax: (949) 261-7326

Website: www.seco-larm.com Email: sales@seco-larm.com



Copyright 2014 © SECO-LARM U.S.A., Inc. All rights reserved. The SECO-LARM policy is one of continual development. For that reason, SECO-LARM reserves the right to change prices and specifications without notice. SECO-LARM is not responsible for misprints.

SECO-LARM® ENFORCER® CRIMEBUSTER® CBA SLI®