

Modern Flat Rim-Type Exit Device

SD-962AR-36M

The **ENFORCER**® Modern Flat Exit Bar, when mounted on the inside of a door to block entry to a protected premises, securely locks the door from outside access while allowing users inside the protected premises to exit. It can be connected to a rim cylinder lock on the outside of the door in order to allow entry by authorized personnel.

Features:

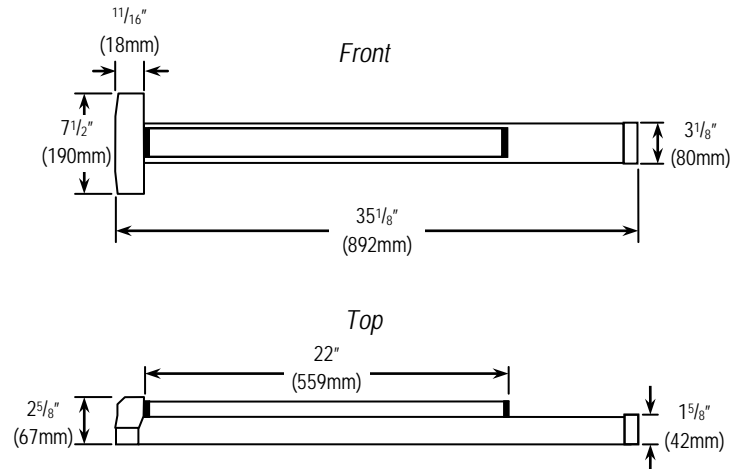
- Allows exit from inside while locked from outside
- Reversible, non-handed design
- For metal or wood doors up to 1³/₄" thick
- Includes all necessary hardware for typical installation
- Sturdy aluminum construction
- Works with rim cylinder locks (not included)
- Fits doors from 36" to 48" wide

Specifications:

Model	SD-962AR-36M
Construction	Aluminum
Hand type	Non-handed
Latch bolt	Steel 3/4" throw
Spring	Stainless-steel
Chassis	Aluminum
Cover	Aluminum
Rail assembly	Aluminum
End cap	Aluminum
Dimensions	35 ¹ / ₈ "x7 ¹ / ₂ "x2 ⁵ / ₈ " (892x190x67 mm)
Weight	6-lb, 7-oz (2.9kg)



Dimensions:



Also Available from SECO-LARM®:

SD-961A-36



Push-to-Exit Bar

SD-962AR-36A



Rim-Type Exit Device



SD-962AR-36G



Rugged Grade-1 Rim-Type Exit Device



SECO-LARM® U.S.A., Inc.

16842 Millikan Avenue, Irvine, CA, 92606
 Tel (CA & Int'l): (949) 261-2999 | (800) 662-0800
 Website: www.seco-larm.com | Email: sales@seco-larm.com



Copyright 2015 © SECO-LARM U.S.A. Inc. All rights reserved.
 The SECO-LARM policy is one of continual development. For that reason, SECO-LARM reserves the right to change prices and specifications without notice. SECO-LARM is not responsible for misprints.

SECO-LARM® ENFORCER® CRIMEBUSTER® CBA SLI®

piSD-962AR-36M_1308.docx