

Access Control Power Supply

EAP-3D1Q

1 Output, 3A@12VDC, 1.5A@24VDC

EAP-3D5Q

5 Outputs, 3A@12VDC, 1.5A@24VDC

Features:

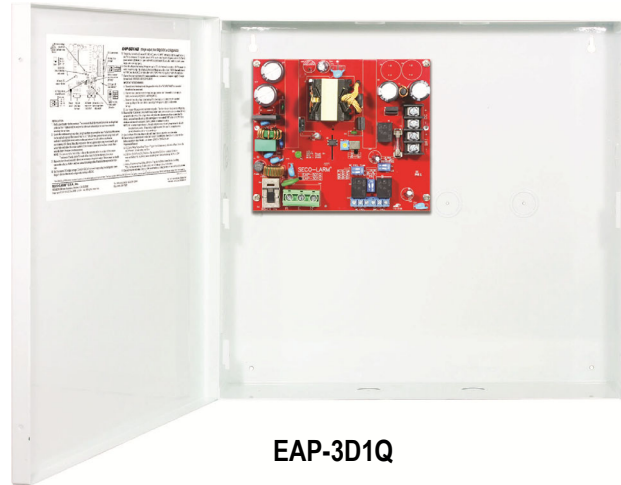
- AC Power failure supervision relay
- Battery failure / low battery supervision relay
- DC Power failure supervision relay (EAP-3D5Q only)
- Auxiliary output relay
- Relays rated 3A@24VDC
- Adjustable voltage range to compensate for voltage drop
- Built-in backup battery charger (battery not included)
- Selectable 2.2k Ω End-of-Line (EOL) resistor for AC failure and battery failure supervision relays via DIP switch
- Selectable delay timer (5 seconds, 5 minutes, 5 hours) for AC failure supervision relay via DIP switch
- LED Status indicator for AC input, DC output and channel outputs

Power:

- Operating Input voltage: 110~240 VAC
- Field-selectable 12 or 24 VDC output
- Total continuous output current: 3A@12VDC, 1.5A@24VDC
- Individually fused power output (PTC-type fuses) rated at 1.1A, fail-safe or fail-secure modes (EAP-3D5Q only)
- AC Input fuse rated at 3.15A

Enclosure:

- Heavy-duty steel case with ventilation holes
- Enclosure large enough to fit two (2) 12V/ 7Ah batteries
- Removable steel cover for easy access to power connections
- 6ft Power cord and battery leads included
- Dimensions: 12¹/₈"x12¹/₄"x3⁹/₁₆" (308x311x90 mm)



EAP-3D1Q



EAP-3D5Q

SECO-LARM® U.S.A., Inc.

16842 Millikan Avenue, Irvine, CA 92606

Phone: (949) 261-2999 | (800) 662-0800 Fax: (949) 261-7326

Website: www.seco-larm.com Email: sales@seco-larm.com

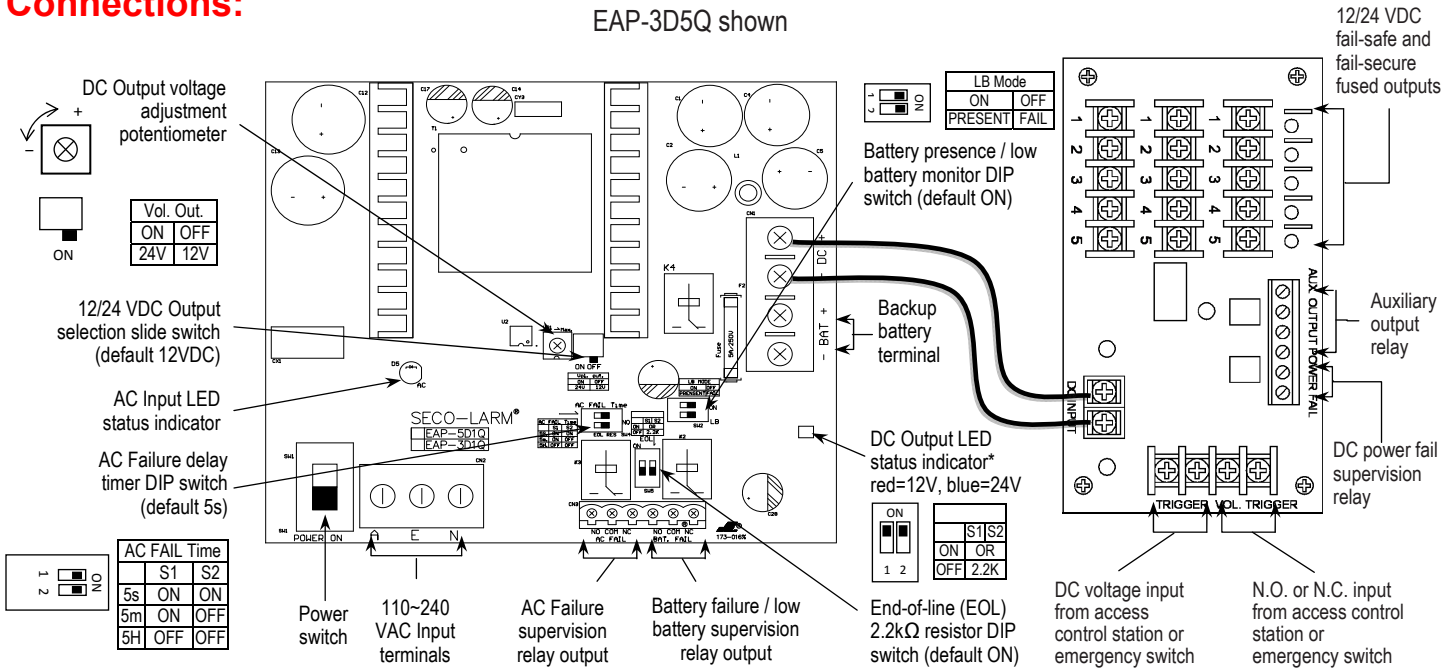


Copyright © 2020 SECO-LARM U.S.A., Inc. All rights reserved.
All trademarks are the property of SECO-LARM U.S.A., Inc. or their respective owners.
The SECO-LARM policy is one of continual development. For that reason, SECO-LARM reserves the right to change prices and specifications without notice. SECO-LARM is not responsible for misprints.

SECO-LARM® ENFORCER® CRIMEBUSTER® CBA® SLI®

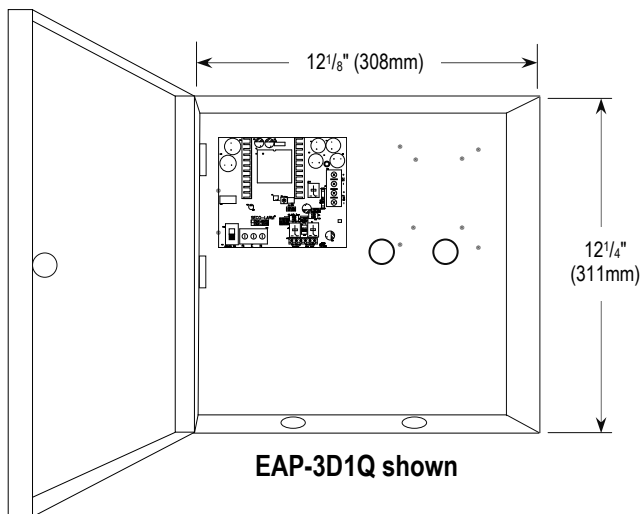
PI_EAP-3DxQ_191210.docx

Connections:



*Built-in output overload protection – If an overload occurs, the motherboard's output voltage output will drop. The voltage drop will depend on the extent of the overload. The greater the overload the greater the voltage drop. If the overload is extensive, the voltage output will become intermittent and the red LED will start flashing. When the overload is removed, the motherboard will automatically restart normal output. If an output short-circuit occurs, the motherboard will automatically shut the output down and the red LED will turn off. When the short-circuit is removed, the motherboard will automatically come back on line.

Dimensions:



Specifications:

Model	EAP-3D1Q	EAP-3D5Q
Input Voltage	110-240 VAC	
Output Voltage	12/24 VDC (selectable)	
Output voltage range (adjustable)	12VDC	12~13
	24VDC	23~25
LED status indicator	DC	Red=12VDC, blue=24VDC for each output
	AC	Green, input
Current rating	3A@12VDC, 1.5A@24VDC	
AC input fuse rating	3.15A	
AC power cord	6ft (1.8m)	
Operating humidity	85% maximum	
Operating temperature	-4°~149° F (-20°~65° C)	
End-of-Line resistor	2.2kΩ	
Dimensions	12 1/8" x 12 1/4" x 3 9/16" (308x311x90 mm)	

SECO-LARM® U.S.A., Inc.

16842 Millikan Avenue, Irvine, CA 92606

Phone: (949) 261-2999 | (800) 662-0800 Fax: (949) 261-7326

Website: www.seco-larm.com Email: sales@seco-larm.com



Copyright © 2020 SECO-LARM U.S.A., Inc. All rights reserved.

All trademarks are the property of SECO-LARM U.S.A., Inc. or their respective owners. The SECO-LARM policy is one of continual development. For that reason, SECO-LARM reserves the right to change prices and specifications without notice. SECO-LARM is not responsible for misprints.

SECO-LARM® ENFORCER® CRIMEBUSTER® CBA® SLI®

PI_EAP-3DxQ_191210.docx