

Corner-Mount Camera

EV-4606-N3SBQ

2.9mm lens, 135° viewing angle, 30 Covert IR LEDs

Features:

- 1/3" 1.3MP SONY IMX238
- Digital Noise Reduction (3D-NR)
- Digital Wide Dynamic Range (DWDR)
- 2.9mm lens
- 135° viewing angle
- 1000TVL
- Weatherproof (IP65)
- Vandal-resistant with heavy-gauge aluminum front face
- Low-profile appearance makes it perfect for elevators and office corners
- 30 Invisible 940nm IR LEDs provide infrared light for the camera to view at night, but are invisible to the human eye

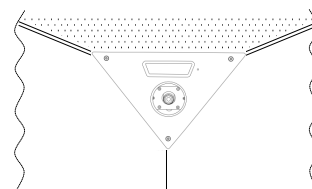


This SECO-LARM Corner-Mount Camera has a discreet, low-profile appearance and a wide-angle lens making it perfect for elevators and office corners.

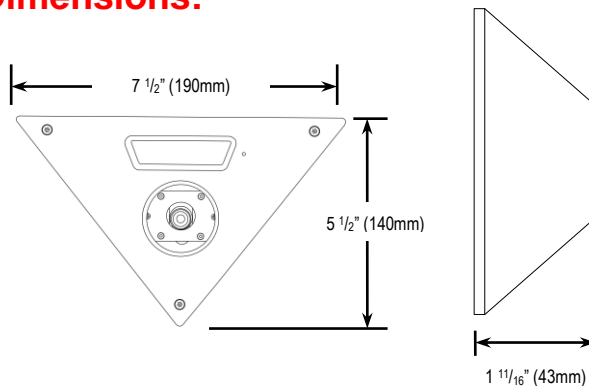
Specifications:

Type	Corner-Mount Camera	
CMOS	1/3" 1.3MP Sony IMX238	
Resolution	1000 TV Lines	
Video output format	NTSC	
Effective pixels	1305x1049 pixels	
3D-NR	Yes	
DWDR	Yes	
Scanning system	Progressive scan	
Sync	Internal	
Video output format	1.0Vp-p Composite video, 75Ω	
Lens	2.9mm	
Viewing Angle	135°	
# of IR LEDs	30 (940nm)	
IR Range	Up to 80' (25m)	
Minimum illumination	LEDs OFF	0.001 Lux
	LEDs ON	0.1 Lux
Gamma correction	Yes	
S/N Ratio	>50dB	
Shutter control	Auto Electric Shutter (AES), 1/60~1/60,000 s	
Gain control	Auto	
White balance	Auto	
Operating voltage	12VDC	
Current draw	LEDs OFF	80mA@12VDC
	LEDs ON	250mA@12VDC
IP Rating	IP65	
Operating temperature	-14°~122° F (-10~50° C)	
Dimensions	7 1/2"x5 1/2"x1 11/16" (190x140x43 mm)	
Cable length	2'3" (0.7m)	
Weight	15-oz (430g)	

Sample Application:



Dimensions:



SECO-LARM® U.S.A., Inc.

16842 Millikan Avenue, Irvine CA 92606

Phone: (949) 261-2999 | (800) 662-0800 Fax: (949) 261-7326

Website: www.seco-larm.com Email: sales@seco-larm.com



Copyright 2016 © SECO-LARM U.S.A., Inc. All rights reserved.

All trademarks are the property of SECO-LARM U.S.A., Inc. or their respective owners. The SECO-LARM policy is one of continual development. For that reason, SECO-LARM reserves the right to change prices and specifications without notice. SECO-LARM is not responsible for misprints.

SECO-LARM® ENFORCER® CRIMEBUSTER® CBA SLI®

PI_EV-4606-N3SBQ_160413.docx