

## Vandal Rollerball Camera

### EV-C2001-N3WQ

NTSC Model, 3.6mm lens, 700 TVL, 24 IR LEDs, White

#### Features:

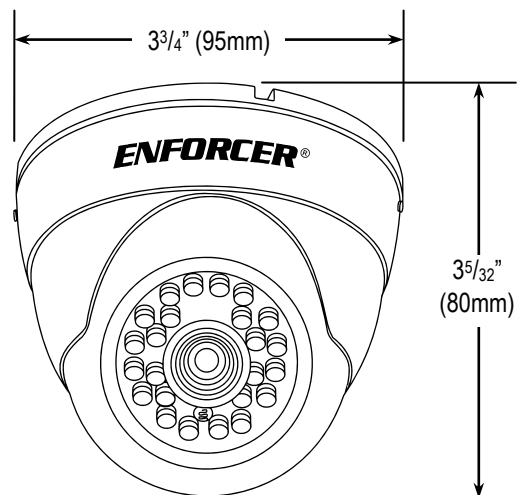
- 1/3" CMOS sensor
- 700 TV Lines
- 3.6mm Lens
- 24 IR LEDs, 50ft IR range
- 360° Triple-Axis Rotation
- Heavy-duty vandal-resistant design
- Day/Night operation: 0 Lux LEDs on, 0.05 Lux LEDs off
- Cables concealed in bracket to prevent tampering
- Rugged, weatherproof (IP66) construction
- Split-glass design to eliminate IR reflection



#### Specifications:

Model	EV-C2001-N3WQ	
Type	Vandal Rollerball Camera	
CMOS	1/3" CMOS Sensor	
Resolution	700 TV lines	
Video output format	NTSC	
Pickup elements	811x508	
Scanning system	2:1 Interlace	
Sync	Internal	
Video output	1.0V p-p Composite output, 75Ω	
Lens	3.6mm	
IR Cut filter	Yes	
# of IR LEDs	24 (850nm)	
IR Range	Up to 50' (15m)	
Minimum illumination	LEDs OFF	0.5 Lux
	LEDs ON	0 Lux
Gamma correction	0.45	
S/N Ratio	≥50dB	
Shutter control	Auto Electric Shutter (AES), 1/60~1/100,000 s	
Gain control	Auto	
White balance	Auto	
Operating voltage	12VDC	
Current draw	LEDs OFF	95mA
	LEDs ON	270mA
IP Rating	IP66	
Operating temperature	14°~131° F (-10°~55° C)	
Dimensions	3 <sup>3</sup> / <sub>4</sub> "x3 <sup>5</sup> / <sub>32</sub> " (95x80 mm)	
Cable length	18 <sup>7</sup> / <sub>8</sub> " (480mm)	
Weight	16-oz (450g)	

#### Dimensions:



**SECO-LARM® U.S.A., Inc.**

16842 Millikan Avenue, Irvine, CA 92606

Phone: (949) 261-2999 | (800) 662-0800 Fax: (949) 261-7326

Website: [www.seco-larm.com](http://www.seco-larm.com) Email: [sales@seco-larm.com](mailto:sales@seco-larm.com)



Copyright 2016 © SECO-LARM U.S.A., Inc. All rights reserved.  
All trademarks are the property of SECO-LARM U.S.A., Inc. or their respective owners.  
The SECO-LARM policy is one of continual development. For that reason, SECO-LARM reserves the right to change prices and specifications without notice. SECO-LARM is not responsible for misprints.

**SECO-LARM® ENFORCER® CRIMEBUSTER® CBA SLI®**

PI\_EV-C2001-N3WQ\_160629.docx