

LS-313A-14Q 3 Wireless Outlets, 1 Remote
LS-525A-14Q 5 Wireless Outlets, 2 Remotes



Conforms to UL 61058-1 and 498A
 Certified to CSA C22.2 NO.61058-1 and 42

Features:

- Wirelessly control devices, appliances, or lamps up to 100ft (30m) away*
- Energy saving – Wireless Outlet draws zero power when off
- Easily expand to multiple devices by pairing to different channels or remotes
- Control multiple outlets with one button, or one outlet with multiple remotes
- Remote is compatible with both LS-313A-14Q and LS-525A-14Q
- Combine several kits for further expansion
- For indoor use



LS-313A-14Q

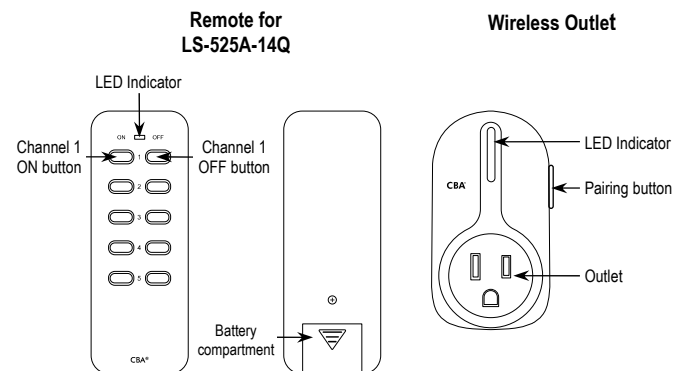


LS-525A-14Q

Specifications:

Model	LS-313A-14Q	LS-525A-14Q
Wireless Outlets included	3	5
Remotes included	1	2
# of Remote channels	3	5
Working voltage	120V~/60Hz	
Remote battery	12VDC (23A) (included)	
Max. load for each Wireless Outlet	1200W (10A)	
Transmission frequency	433.92MHz	
Remote range	100ft (30m)*	
Operating temperature	59°~95° F (15°~35° C)	
Dimensions	Wireless Outlet	2 1/8" x 3 11/16" x 1 7/16" (54x94x36 mm)
	Remote	1 1/2" x 3 5/16" x 1 1/16" (38x84x18 mm)
		1 1/2" x 4 1/8" x 1 1/16" (38x105x18 mm)

Overview:



*Line-of-sight range. Actual range may vary depending on the installation and operating environment.

SECO-LARM® U.S.A., Inc.

16842 Millikan Avenue, Irvine, CA 92606

Phone: (949) 261-2999 | (800) 662-0800 Fax: (949) 261-7326

Website: www.seco-larm.com Email: sales@seco-larm.com



Copyright © 2017 SECO-LARM U.S.A., Inc. All rights reserved.
 All trademarks are the property of SECO-LARM U.S.A., Inc. or their respective owners.
 The SECO-LARM policy is one of continual development. For that reason, SECO-LARM reserves the right to change prices and specifications without notice. SECO-LARM is not responsible for misprints.

SECO-LARM® ENFORCER® CRIMEBUSTER® CBA® SLI®

PI_LS-xxxA-14Q_171027.docx