

# 4K HDMI 1x4 Splitter/Extender over Cat6

**MVE-AH1E4-42NQ** 4 Outputs

The ENFORCER 4K HDMI 1x4 Splitter/Extender over Cat6 extends the range of traditional HDMI cabling methods by using an active transmitter and 4 receivers to send video and audio over Cat6. HDMI formats as large as 4K can be transmitted up to 230ft (70m) between the units with zero signal loss by using integrated circuits in the receivers and transmitter.

## Features

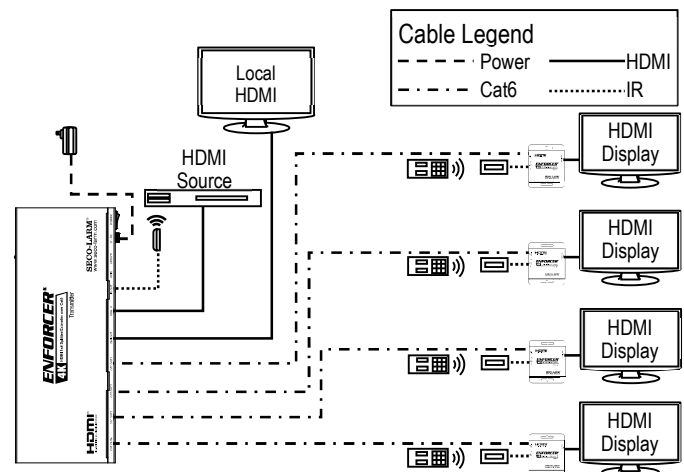
- **Signal Strength** – Active operation ensures signal strength remains strong over the entire cable length.
- **Distance** – The 4K HDMI 1x4 Splitter/Extender over Cat6 is capable of providing a clear HDMI signal up to 131ft (40m) at 4K resolution or 230ft (70m) at 1080p resolution.
- **Formats Supported** – The 4K HDMI 1x4 Splitter/Extender over Cat6 supports both progressive and interlaced formats: 4K@30Hz/1080p/1080i/720p/576p/480p/480i.
- **Plug and Play** – The 4K HDMI 1x4 Splitter/Extender over Cat6 comes as a complete set consisting of a transmitter and 4 receivers, power supply, and IR dongles.
- **Zero Signal Loss** – Integrated circuits in the transmitter and receivers clean, buffer, and amplify the HDMI signal to prevent signal loss and ensure a clear signal regardless of the length of the cable.
- **IR** – Send IR signals from the monitors to the source for discrete operation of devices.
- **Loop out** – Supports a local monitor.
- **Power** – One (1) 12VDC power supply included – set powered at transmitter end



## Specifications

Video bandwidth	297MHz / 10.2Gbps
Video Resolution	Up to 4K@30Hz/2K@30Hz
Video formats	HDMI 2.0b, HDCP
Audio formats	LPCM, Dolby Digital, Dolby TrueHD, Dolby Digital Plus, DTS-ES, DTS HD Master, DTS HD-HRA, DTS-X
Range	Up to 131' (40m) at 4K@30Hz / Up to 230' (70m) at 1080p
Operating Voltage	12VDC
Power supply	2.5A@12VDC (1 Adapter) (2.1mm plug)
Operating temperature	32°~104° F (0°~40° C)
Dimensions	<b>TX</b> 8 1/4" x 1 1/16" x 3 1/4" (210x18x83 mm)
	<b>RX</b> 3 1/8" x 5/8" x 2 3/4" (80x17x69 mm)

## Sample Application



HDMI, the HDMI Logo and High-Definition Multimedia Interface are trademarks or registered trademarks of HDMI Licensing LLC in the United States and other countries.

**SECO-LARM® U.S.A., Inc.**

16842 Millikan Avenue, Irvine, CA 92606

Phone: (949) 261-2999 | (800) 662-0800 Fax: (949) 261-7326

Website: [www.seco-larm.com](http://www.seco-larm.com) Email: [sales@seco-larm.com](mailto:sales@seco-larm.com)



Copyright © 2022 SECO-LARM U.S.A., Inc. All rights reserved. All trademarks are the property of SECO-LARM U.S.A., Inc. or their respective owners. The SECO-LARM policy is one of continual development. For that reason, SECO-LARM reserves the right to change prices and specifications without notice. SECO-LARM is not responsible for misprints.

**SECO-LARM® ENFORCER® CRIMEBUSTER® CBA® SLI®**

PL\_MVE-AH1Ex-42NQ\_220120.docx