

ENHANCED HDMI Extenders over Cat5e/6

MVE-AH1H1-01GQ

The ENFORCER Enhanced HDMI Extender over Cat5e/6 extends the range of HDMI signals to send video and audio up to 230ft (70m) over a single Cat5e/6 cable.

The extender includes an IR transmitter and receiver, allowing the user to use a remote control at one end of an installation to control a device at the opposite end.

A single power supply can power both devices from either end of the installation.



Features:

- **Signal Strength** – Active operation ensures that the signal strength will remain strong over the length of the cable
- **Distance** – The Enhanced HDMI Extender over Cat5e/6 can transmit a clear HDMI signal up to 230ft (70m)
- **Formats Supported** – The Enhanced HDMI Extender over Cat5e/6 supports both progressive and interlaced formats: 4K/1080p/1080i/720p/576p/576i/480p/480i
- **Plug and Play** – The Enhanced HDMI Extender over Cat5e/6 comes as a complete set consisting of a transmitter, receiver, power supply, and IR adapters
- **Zero Signal Loss** – Integrated circuits in the transmitter and receiver clean, buffer, and amplify the HDMI signal
- **Bi-Directional IR** – Send IR signals from the source to the monitor or from the monitor to the source for discrete operation of devices
- **Connect Multiple Units** – Repeat up to four sets to extend HDMI range up to 918ft (280m)

Specification:

| | | |
|-----------------------------------|--|------------------|
| Input video signal | 3.3V | |
| Input DDC signal | 5Vp-p (TTL) | |
| Maximum single link range | 4Kx2K@30Hz | |
| Deep color | 48-bit | |
| Video formats supported | High-speed HDMI with 3D, HDCP 1.2 | |
| Audio formats supported | LPCM, Dolby-AC3, DTS 7.1, DSD | |
| Output video | HDMI | |
| Resolutions supported | 4K/1080p/1080i/720p/576p/576i/480p/480i | |
| Range – 1080p | Cat6 | Up to 230' (70m) |
| | Cat5e | Up to 196' (60m) |
| Range – 4K | Cat6 | Up to 130' (40m) |
| | Cat5e | Up to 98' (30m) |
| Video amplifier bandwidth | 10.2Gbps | |
| Video input connector | HDMI Type A 19-pin female | |
| Maximum input cable length | 24AWG: 50' (15m); 26AWG: 32' (10m); 28AWG: 16' (5m) | |
| Cat5e/6 wiring standard | T568-B | |
| IR pass-through | 30-50kHz | |
| Operating voltage | 24VDC | |
| Power supply | 1A@24VDC (1 adapter) (2.1mm plug) | |
| ESD protection (human body model) | ±8kV (air-gap discharge), ±4kV (contact discharge) | |
| Current draw | Transmitter | 150mA@24VDC |
| | Receiver | 250mA@24VDC |
| Operating temperature | 32°~104° F (0°~40° C) | |
| Operating humidity | 20~90% RH (no condensation) | |
| Dimensions | 3 ¹⁵ / ₁₆ "x2 ⁹ / ₁₆ "x1" (100x65x25mm) | |
| Weight | 7.1-oz (200g) (each) | |

HDMI, the HDMI logo, and High-Definition Multimedia Interface are trademarks or registered trademarks of HDMI Licensing LLC in the United States and other countries.

SECO-LARM® U.S.A., Inc.

16842 Millikan Avenue, Irvine, CA 92606

Phone: (949) 261-2999 | (800) 662-0800 Fax: (949) 261-7326

Website: www.seco-larm.com Email: sales@seco-larm.com



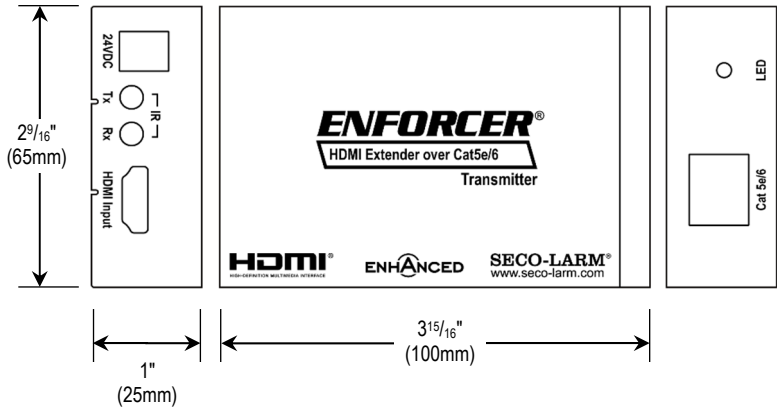
Copyright © 2018 SECO-LARM U.S.A., Inc. All rights reserved.

All trademarks are the property of SECO-LARM U.S.A., Inc. or their respective owners. The SECO-LARM policy is one of continual development. For that reason, SECO-LARM reserves the right to change prices and specifications without notice. SECO-LARM is not responsible for misprints.

SECO-LARM® ENFORCER® CRIMEBUSTER® CBA® SLI®

PL_MVE-AH1H1-01GQ_180424.docx

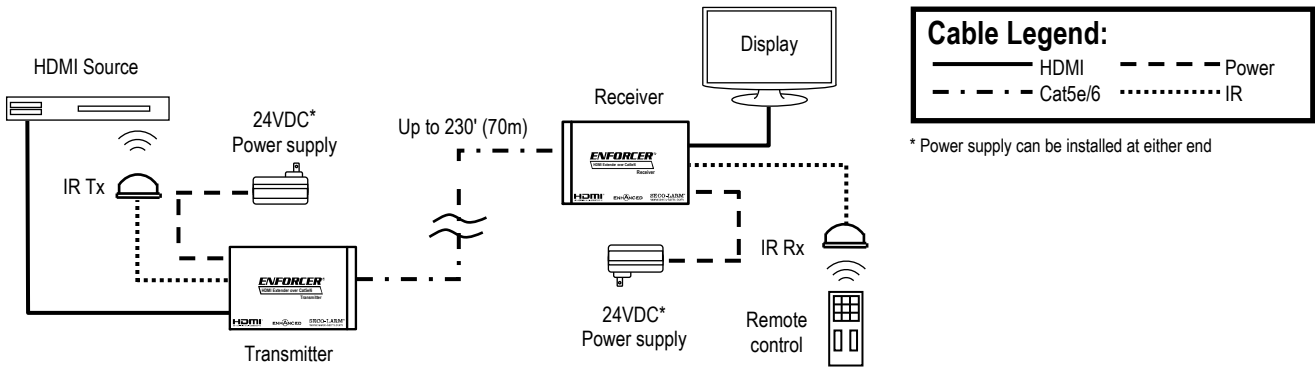
Dimensions:



Transmitter shown.
Dimensions are the same for both the transmitter and receiver

Sample Application:

Standard installation



Cable Legend:
 — HDMI - - - - - Power
 Cat5e/6 ······· IR

* Power supply can be installed at either end

Also Available from SECO-LARM:

4K HDMI Splitters
 MVD-AH12-01Q
 MVD-AH14-01Q
 MVD-AH18-01Q



HDMI Extender over Coax Cable
 MVE-AA11-01NQ



HDMI Extenders over Single CAT5e/6
 MVE-AH030AQ
 MVE-AH030Q



IR over HDMI Kit
 MVE-PN11-01Q



HDMI Switchers
 MVS-AH31-01NQ
 MVS-AH51-01NQ



HDMI over Composite
 MVA-HT01Q



HDMI over Dual CAT5e/6
 MVE-AH010Q



High-Speed HDMI Cables
 MC-1102 Series
 9 Sizes available:
 1.5ft-50ft



SECO-LARM® U.S.A., Inc.

16842 Millikan Avenue, Irvine, CA 92606
 Phone: (949) 261-2999 | (800) 662-0800 Fax: (949) 261-7326
 Website: www.seco-larm.com Email: sales@seco-larm.com



Copyright © 2018 SECO-LARM U.S.A., Inc. All rights reserved.
 All trademarks are the property of SECO-LARM U.S.A., Inc. or their respective owners.
 The SECO-LARM policy is one of continual development. For that reason, SECO-LARM reserves the right to change prices and specifications without notice. SECO-LARM is not responsible for misprints.
SECO-LARM® ENFORCER® CRIMEBUSTER® CBA® SLI®
 PL_MVE-AH1H1-01GQ_180424.docx