

## Passive Ethernet Extender over Coax

### NE-SE01-020Q

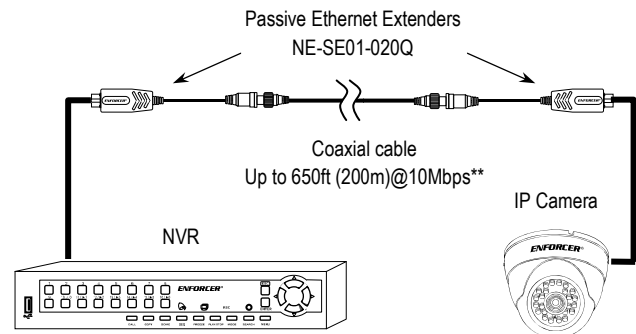
The ENFORCER Passive Ethernet Extender over Coax is designed to extend the range of any TCP/IP device beyond the 300ft (100m) limit of Ethernet. The unit does not filter out any protocols, codes, or applications, ensuring compatibility with any IP camera and its software.

### Features:

- 1 Channel Ethernet over coax
- 10/100 Mbps Full duplex\*
- Transmission distance:\*\*
  - Up to 650ft (200m)@10Mbps
  - Up to 325ft (100m)@100Mbps
- Passive, no power required
- Built-in surge protection
- Fast and easy to install
- Bidirectional – can operate as transmitter and receiver
- Sold as a set



### Sample Application:



### Specifications:

| Type                  |  | Passive Ethernet Extender over Coax |
|-----------------------|--|-------------------------------------|
| Range**               | 10Mbps (RG59)  | Up to 650ft (200m)                  |
|                       | 100Mbps (RG59)   | Up to 325ft (100m)                  |
| Input connector       | RJ-45  |                                     |
| Output connector      | BNC  |                                     |
| Link cable            | RG59/U or better   |                                     |
| Ethernet speed        | 10/100 Mbps*   |                                     |
| Standard              | IEEE802.3 10/100Base-T   |                                     |
| Operating temperature | -4°~158° F (-20°~70° C)  |                                     |
| Dimensions            | 2 <sup>3</sup> / <sub>8</sub> "x1 <sup>1</sup> / <sub>8</sub> "x1 <sup>3</sup> / <sub>16</sub> " (60x29x20 mm) (Excluding pigtail) |                                     |

\* Use only with 10/100 Switches

\*\* Actual transmission range will vary depending on equipment used and cable grade

### Also Available from SECO-LARM®:



HDMI Extender over Coax  
MVE-AA11-01NQ



4-in-1 HD Passive  
Video Baluns  
EB-P101-01HQ



Ethernet over Coax w/ PoE  
NE-AE01-030TQ

### SECO-LARM® U.S.A., Inc.

16842 Millikan Avenue, Irvine, CA, 92606

Phone: (949) 261-2999 | (800) 662-0800 Fax: (949) 261-7326

Website: www.seco-larm.com Email: sales@seco-larm.com



Copyright © 2017 SECO-LARM U.S.A., Inc. All rights reserved. All trademarks are the property of SECO-LARM U.S.A., Inc. or their respective owners. The SECO-LARM policy is one of continual development. For that reason, SECO-LARM reserves the right to change prices and specifications without notice. SECO-LARM is not responsible for misprints.

SECO-LARM® ENFORCER® CRIMEBUSTER® CBA SLI®

PI\_NE-SE01-020Q\_171208.docx