

Access Power Controller Boards

PD-4BTQ 4 Outputs

PD-8BTQ 8 Outputs

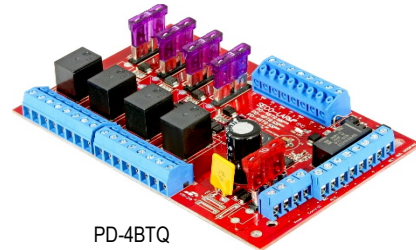
The ENFORCER 4- and 8-output Access Power Controller Boards centralizes the power sources and gives individual control for various access control locking devices, such as electromagnetic locks, electric shear locks, door strikes, deadbolt locks, and more.

Features:

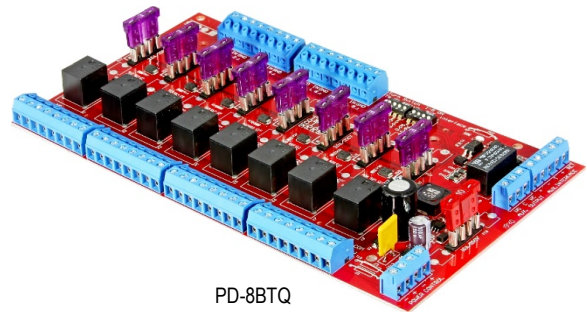
- For 12/24 VAC/VDC operation
- Each output individually fused
- Each output can operate in both fail-safe and fail-secure modes
- Each output individually controlled
- Individual output relays (10A@24VDC)
- Output fuses rated at 3.0A (PTC@2.5A)
- Individual status LEDs for each output and for emergency input
- Auxiliary supervision relay (1A@28VDC)
- Equipped with dry and wet trigger inputs
- Includes auxiliary interface to enable emergency egress, alarm monitoring, or to trigger other devices
- Includes auxiliary interface disconnect, individually selectable for each output
- Compatible with ENFORCER Access Control Power Supplies

Specifications:

Model	PD-4BTQ	PD-8BTQ
Input voltage	12/24 VAC/VDC	
Input current draw	10A@24VAC	
Number of outputs	4	8
Output fuse type/rating	Blade 3.0A	
Output relays	Form C (10A@12VDC)	
Auxiliary interface output	DPDT (1A@28VDC)	
LEDs	Status	4 (red, on when relay is energized) 8 (red, on when relay is energized)
	Auxiliary Interface	1 (green, on when auxiliary input is triggered, alarm condition)
Operating humidity	0~95%	
Operating temperature	-40°~167° F (-40°~75° C)	
Dimensions	5 ³ / ₈ "x3 ⁵ / ₈ "x1 ⁵ / ₁₆ " (136x92x23 mm)	8"x5 ¹ / ₁₆ "x1 ⁵ / ₁₆ " (204x129x23 mm)
Weight	4.8-oz (137g)	8.9-oz (252g)



PD-4BTQ



PD-8BTQ

12/24
VAC/VDC

Fail-Safe
Fail-Secure

Outputs
Individually
Fused

Dry / Wet
Trigger inputs

Compatible with:

Access Control Power Supplies



EAP-3D1Q
1-Output, 3A@12VDC,
1.5A@24VDC



EAP-5D1Q
1-Output, 5A@12VDC,
2.5A@24VDC

SECO-LARM® U.S.A., Inc.

16842 Millikan Avenue, Irvine, CA 92606

Phone: (949) 261-2999 | (800) 662-0800 Fax: (949) 261-7326

Website: www.seco-larm.com Email: sales@seco-larm.com



Copyright © 2020 SECO-LARM U.S.A., Inc. All rights reserved.
All trademarks are the property of SECO-LARM U.S.A., Inc. or their respective owners.
The SECO-LARM policy is one of continual development. For that reason, SECO-LARM reserves the right to change prices and specifications without notice. SECO-LARM is not responsible for misprints.
SECO-LARM® ENFORCER® CRIMEBUSTER® CBA® SLI®

PI_PD-xBTQ_200206.docx