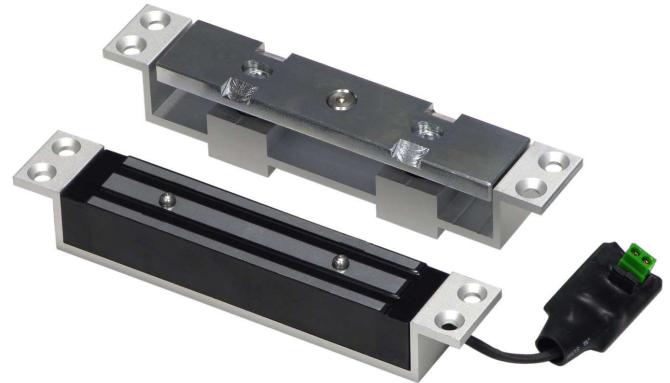


## Electric Shear Lock

**SD-993B-SS** 1,500-lb (680kg.) Holding force

Concealed security for remote access and exit control of aluminum and steel doors or gates. Works with sliding, single-action, and double-action (swing through) doors and gates. Plated steel plugs and magnetic bond holds doors securely in place with approximately 1,500 pounds (680 kg) of shear holding force. Surface-Mount Brackets and U-Brackets also available for surface-mount and glass-door-mount applications (see page 2 for details).



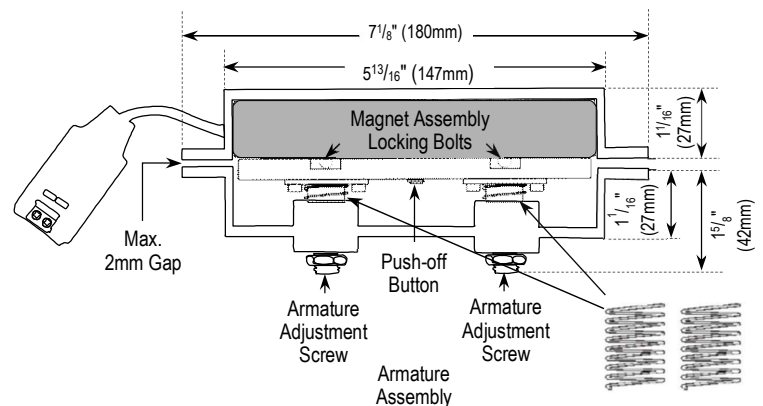
### Features

- UL 294 (Access Control System Units) & UL 1034 (Burglary-Resistant Electric Lock Mechanism) Listed
- Concealed security for remote access and exit control of aluminum and steel doors or gates
- Smaller size for use with most metal door jambs
- Zinc-plated magnet and armature, aluminum anodized housing
- Works with sliding, single-action, and double-action (swing-through) doors and gates
- Use with an optional SECO-LARM digital keypad for keyless entry
- Spring-loaded locking bolts and magnetic bond holds doors securely in place with approximately 1,500 pounds (680kg) of shear holding force
- Fail-secure operation (unlocks if power is lost)
- Armature plate adjusts to compensate for gaps between door and frame
- Surface-mount bracket (SD-993S-SB) available for surface-mount installations. See page 2
- U-Bracket (SD-993S-UB) available for glass-door-mount installations (SD-993S-SB also required). See page 2

### Specifications

Operating voltage		12VDC or 24VDC
Current Draw		420mA@12VDC, 210mA@24VDC
Door Gap		Max. 1/16" (2mm)
Weight		2lbs., 8oz. (1.1kg)
Operating temperature		32°~120° F (0°~49° C)
Dimensions	Armature Assembly	7 1/16" x 1 3/16" x 1 5/8" (180x30x42 mm)
	Magnet Housing	7 1/16" x 1 3/16" x 1 1/16" (180x30x27 mm)

### Dimensions



### SECO-LARM® U.S.A., Inc.

16842 Millikan Avenue, Irvine, CA 92606

Phone: (949) 261-2999 | (800) 662-0800 Fax: (949) 261-7326

Website: [www.seco-larm.com](http://www.seco-larm.com) Email: [sales@seco-larm.com](mailto:sales@seco-larm.com)



Copyright © 2021 SECO-LARM U.S.A., Inc. All rights reserved. All trademarks are the property of SECO-LARM U.S.A., Inc. or their respective owners. The SECO-LARM policy is one of continual development. For that reason, SECO-LARM reserves the right to change prices and specifications without notice. SECO-LARM is not responsible for misprints.

**SECO-LARM® ENFORCER® CRIMEBUSTER® CBA® SLI®**

PI\_SD-993B-SS\_210120.docx

**Brackets for SD-993B-SS**

**Surface-Mount Bracket SD-993S-SB**



**U-Bracket (Glass Door) SD-993S-UB**



**Installation**

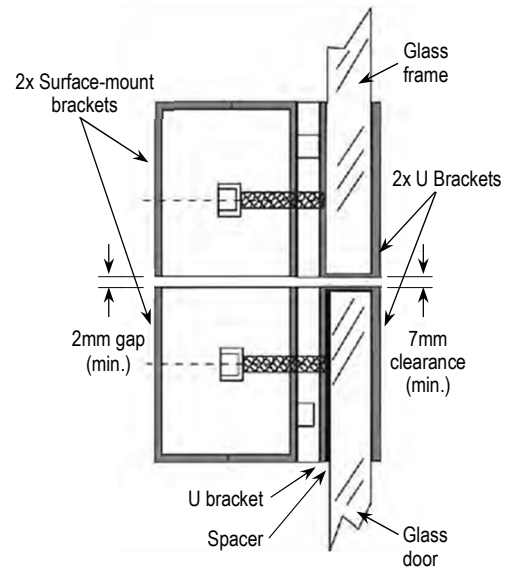
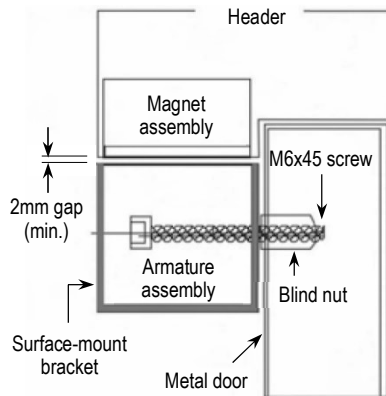
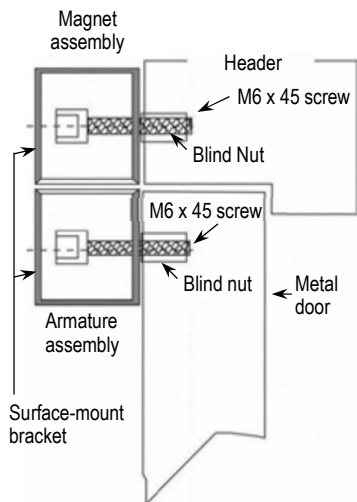
**For surface mounting  
SD-993S-SB**

Surface-mount  
(Magnet and armature)  
Use 2 x surface-mount brackets

Flush-mount magnet  
Surface-mount armature  
Use 1 surface-mount bracket

**For glass door mounting  
SD-993S-UB**

May require 1 or more SD-993S-SB and  
SD-993S-UB bracket kits, depending on  
the glass door configuration



The magnet assembly is in the bracket above the door and the armature assembly is in the bracket on the door.

The magnet assembly is flush to the door frame or header and the armature assembly is in the bracket on the door.

**NOTE:** Single glass door with a glass frame illustrated above.