

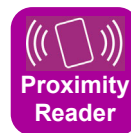
## Heavy-Duty Outdoor Access Control Keypad with Proximity Reader

### SK-3133-PPQ

*This 3-in-1 (card, code, or both) keypad features rugged vandal-resistant construction with a heavy-duty stainless-steel faceplate and a coated steel backing to withstand the elements.*

### Features:

- Built-in proximity reader. 125kHz(EM125)
- 4 Available programmable access modes for all 3 outputs: card only, code only, card and common user code, card and unique user code
- 1,200 Users over 3 Outputs. Codes may be 4~8 digits:
  - Output #1 – Form C relay, 5A@24VDC, 1,000 users
  - Output #2 – Form C relay, 1A@24VDC, 100 users
  - Output #3 – Form C relay, 1A@24VDC, 100 users
- Outputs can be programmed to activate for up to 99,999 seconds (nearly 28 hours) or toggle
- Super user code gives admin access to keypad
- Up to 50 possible temporary visitor codes, programmable for one-time or limited-time use (1~99 hours)
- Programmable egress input with optional warning alarm and delayed egress
- Real-time clock to auto-disable access at specific times
- 50 duress codes for output #1, 10 for outputs #2 and #3
- Duress code signals a silent alarm if an authorized user is forced to open the door under duress
- All features are programmed directly from the keypad: No need for an external programmer
- Vandal resistant – for wall, post, or gooseneck mounting
- Tamper output: N.C. Dry contact, 50mA@24VDC max.
- Keypad illuminates when a button is pressed; backlight can be programmed for FULL (Dim in standby) or AUTO (OFF in standby) mode
- Mantrap: for a protected area with two doors, this feature allows only one door to be open at a time
- Door sensor input for anti-tailgating operation
- Door-propped-open and Door-forced-open warnings
- EEPROM Memory preserves data in case of power loss



### Specifications:

Operating voltage	12~24 VAC/VDC (auto-adjusting)	
Current draw (at 12VDC)	Standby	55mA
	Keypress	90mA
	Total max. current draw	220mA
Outputs	#1 – Form C	5A@24VDC
	#2,#3 – Form C	1A@24VDC
Inputs	Egress	N.O. Ground
	Door sensor	N.C. Ground
	Door inhibit	N.O. Ground
Proximity reader frequency	125kHz (EM125)	
Proximity reader sensing distance	1 1/2" (38mm)	
IP Rating	IP66	
Operating humidity	5~95% Non-condensing	
Operating temperature	-4°~158° F (-20°~70° C)	
Material	Faceplate	1/16" (1.5mm) Stainless steel
	Housing	5/64" (2mm) Anodized steel, powder paint
Dimensions	5 1/4"x7 1/16"x3 3/8" (133x180x85 mm)	
Weight	3-lb 12-oz (1.7kg)	

### SECO-LARM® U.S.A., Inc.

16842 Millikan Avenue, Irvine, CA 92606

Phone: (949) 261-2999 | (800) 662-0800 Fax: (949) 261-7326

Website: www.seco-larm.com Email: sales@seco-larm.com

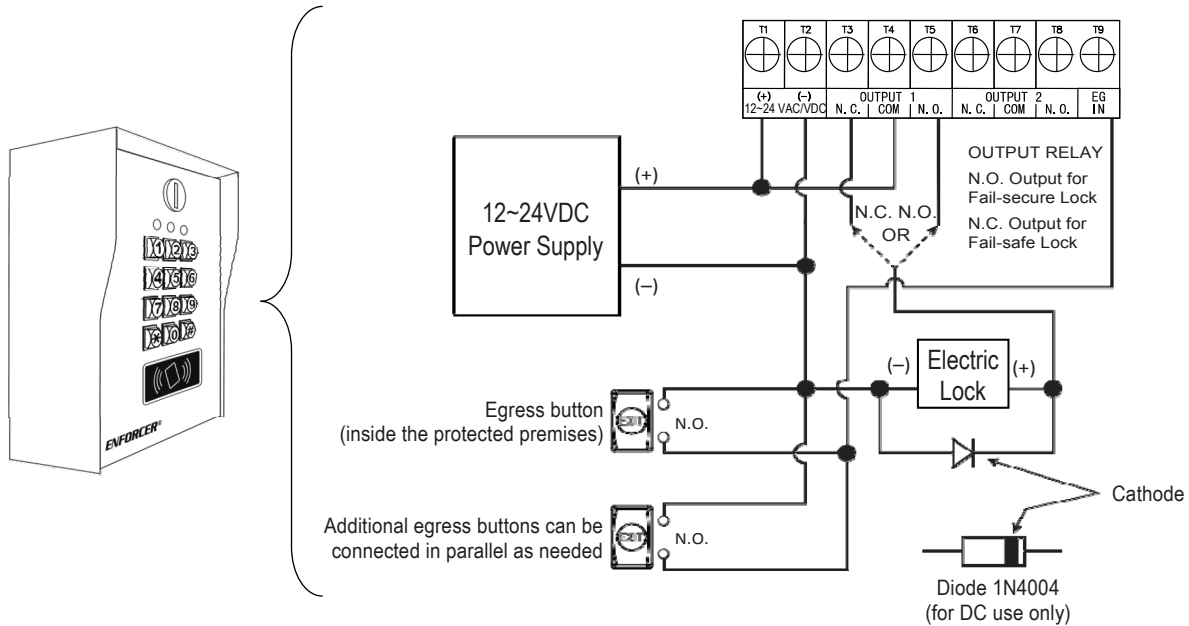


Copyright © 2018 SECO-LARM U.S.A., Inc. All rights reserved.  
All trademarks are the property of SECO-LARM U.S.A., Inc. or their respective owners.  
The SECO-LARM policy is one of continual development. For that reason, SECO-LARM reserves the right to change prices and specifications without notice. SECO-LARM is not responsible for misprints.

SECO-LARM® ENFORCER® CRIMEBUSTER® CBA® SLI®

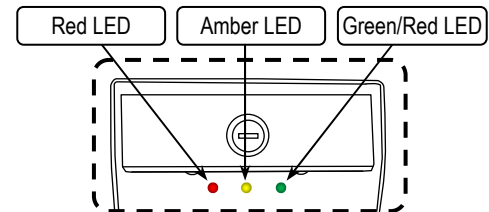
PI\_SK-3133-PPQ\_181121.docx

## Sample Wiring:



## Status LEDs:

	Red LED (left)	Amber LED (center)	Green/Red LED (right)
Steady	Output #1 inhibited	Programming mode	Output #1 activated (green) Output #2 activated (red)
Flashing	Inhibit mode paused	Standby mode	



## Keypad Sounds and LEDs

Status	Sounds	Amber LED (Center)
In programming mode	-	Steady ON
Successful key entry	1 Beep	1 Flash
Successful code/card entry	2 Beeps	2 Flashes
Unsuccessful code/card entry	5 Beeps	5 Flashes
Power up delay	Continuous beeping	Continuous flashing
Output relay activation	1-Sec long beep	-
In Standby mode	-	1 Flash/sec
System refresh mode	2 Beeps	Fast flashing for 2.5 min
Card/code Already stored	1 Long beep	-
Real time clock stopped after power loss	Continuous 3 fast beeps every 5 seconds	-

## Overview:

