

Split Series Keypad with Proximity Card Reader

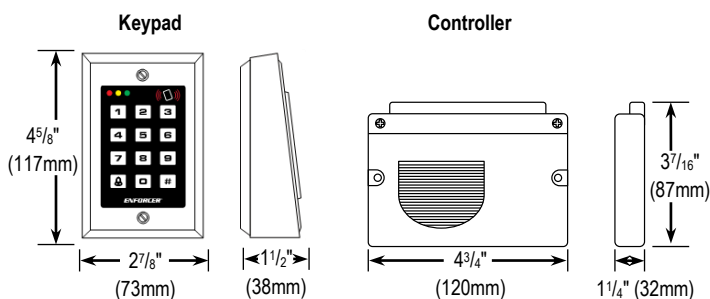
SK-4131-SPSQ

Proximity Card Reader, 1,200 Users

Features:

- Split series installation for added security – keypad and controller are separate thereby preventing access via keypad tampering
- Built-in current limited (750mA) power source for keypad for added security
- Simple three wire connection between keypad and controller
- 12~24 VDC Auto-adjusting operation
- Possible user codes and/or proximity cards:
 - Output #1: 1,000 (000~999)
 - Output #2: 100 (001~100)
 - Output #3: 100 (001~100)
- Up to 50 (01~50) possible temporary visitor codes, which can be programmed for one-time or limited-time use (1~99 hours)
- Up to 50 (01~50) duress codes for output #1, 10 (01~09) for output #2, 10 (01~09) for output #3
- EEPROM Memory protects programmed information in case of power loss
- Keypad illuminates when a button is pressed; backlight can be programmable for FULL or AUTO in standby mode
- Keypad mounts to a standard single-gang back box (surface-mount back box included)
- All features are programmed directly from the keypad: No need for an external programmer
- Programmable egress input with optional warning alarm and delayed egress
- Door sensor input for anti-tailgating operation
- Interlocking input for connecting to a second keypad for mantrap applications

Dimensions:



Specifications:

Operating voltage	12~24 VDC	
Current draw (at 12VDC)	Standby	88mA
	Keypress	115mA
	Output 1 active	115mA
	Output 1 & 2 active	128mA
	Output 1, 2, & 3 active	138mA
	Total max current draw	220mA
Outputs	#1—Form C	5A@24VDC
	#2—Form C	1A@24VDC
	#3—Form C	1A@24VDC
	Alarm	100mA@24VDC
	Key active	100mA@24VDC
	Duress	100mA@24VDC
	Interlock	100mA@24VDC
	Tamper	50mA@24VDC
Inputs	Egress	N.O. Ground
	Door sensor	N.C. Ground
	Door inhibit	N.O. Ground
	Doorbell	N.O. Ground
	Tamper	N.C. Ground
Proximity reader frequency	125kHz (EM 125)	
Proximity reader sensing distance	1 1/2" (38mm)	
Operating humidity	5~95% (non-condensing)	
Operating temperature	-4°~158° F (-20°~70° C)	
Weight	Keypad	6.3-oz (180g)
	Controller	8.8-oz (250g)

SECO-LARM® U.S.A., Inc.

16842 Millikan Avenue, Irvine, CA 92606

Phone: (949) 261-2999 | (800) 662-0800 Fax: (949) 261-7326

Website: www.seco-larm.com Email: sales@seco-larm.com

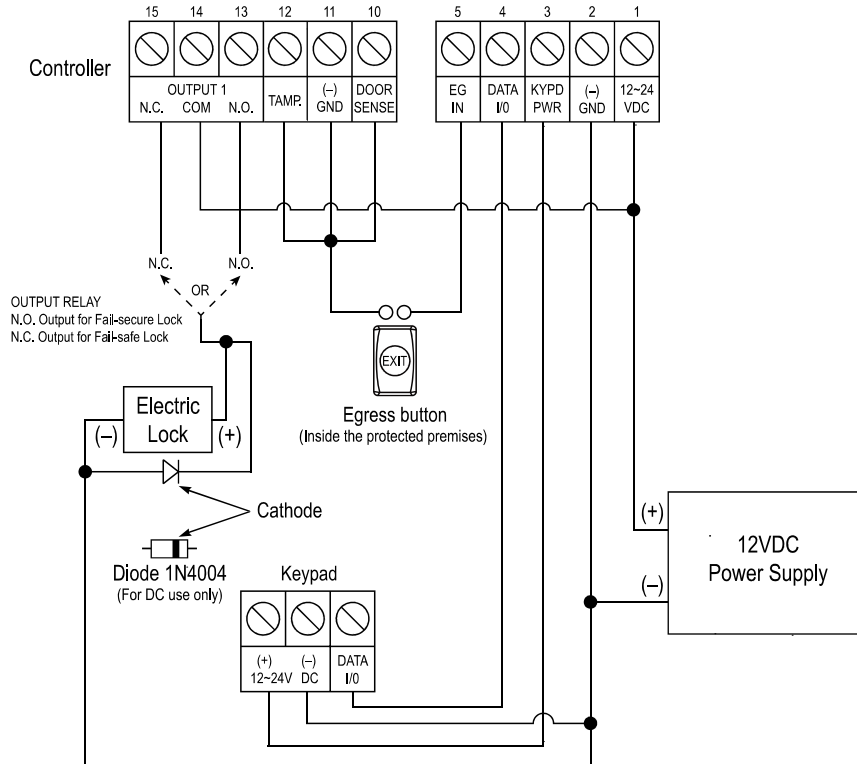


Copyright © 2017 SECO-LARM U.S.A., Inc. All rights reserved. All trademarks are the property of SECO-LARM U.S.A., Inc. or their respective owners. The SECO-LARM policy is one of continual development. For that reason, SECO-LARM reserves the right to change specifications without notice. SECO-LARM is not responsible for misprints.

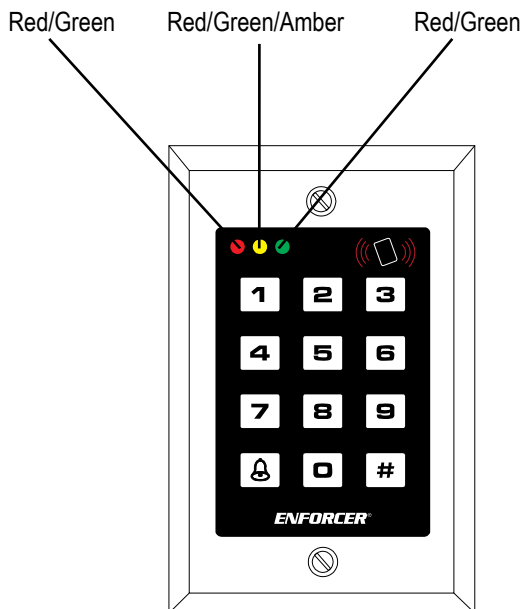
SECO-LARM® ENFORCER® CRIMEBUSTER® CBA SLI®

PL_SK-4131-SPSQ_170303.docx

Sample Application:



Keypad Status Buzzer and LEDs:



LED Indicators – Keypad

	Green/Red (Left)	Amber LED (Center)	Green/Red LED (Right)
Steady	Available for free connection (Green) Keypad locked (Red) Output #1 inhibited (Red)	Programming mode	Output #1 activated (Green) Output #2 activated (Red)
Flashing	Inhibit mode paused (Red)	Standby mode	-

Keypad Sounds and LEDs

Status	Sounds	Amber LED (Center)
In programming mode	-	Steady ON
Successful key entry	1 Beep	1 Flash
Successful code/card entry	2 Beeps	2 Flashes
Unsuccessful code/card entry	5 Beeps	5 Flashes
Power up delay	Continuous beeping for 1 minute	Continuous flashing for 1 minute
Output relay activation	1-Sec long beep	-
In standby mode	-	1 Flash/sec
System restore mode	2 Beeps	Fast flashing for 2.5 min
Code / card already stored	1 Long beep	-
Real time clock stopped after power loss	Continuous 3 fast beeps every 5 seconds	-
Keypad link-up with controller failed	Continuous beep every 1.5 seconds	-