

SECO-LARM®

CL-210M-U3BQ

Motorized Cabinet Lock

Manual



Features:

- Electronically secure lockers, cabinets, cases, and drawers
- Lock status sensor allows for monitoring whether the lock is engaged
- Door status sensor allows for monitoring whether the door is closed completely
- Compatible with existing keypads or readers
- Spring feature gently pushes door open
- Fail-secure operation
- Various mounting positions
- 12~28 VAC/VDC Operating voltage
- Low current draw:
 - 69mA@12/24 VDC (standby)
 - 165mA@12/24 VDC (active)
- 220-lb (100kg) Holding force
- Two locking orientations

SECO-LARM Motorized Cabinet Lock

Introduction:

The SECO-LARM Motorized Cabinet Lock provides security for lockers, cabinets, cases, and drawers. The built-in lock and door status sensors and fail-secure operation offer additional security. The Motorized Cabinet Lock's small size and compatibility with existing keypads or readers allow for various installations.

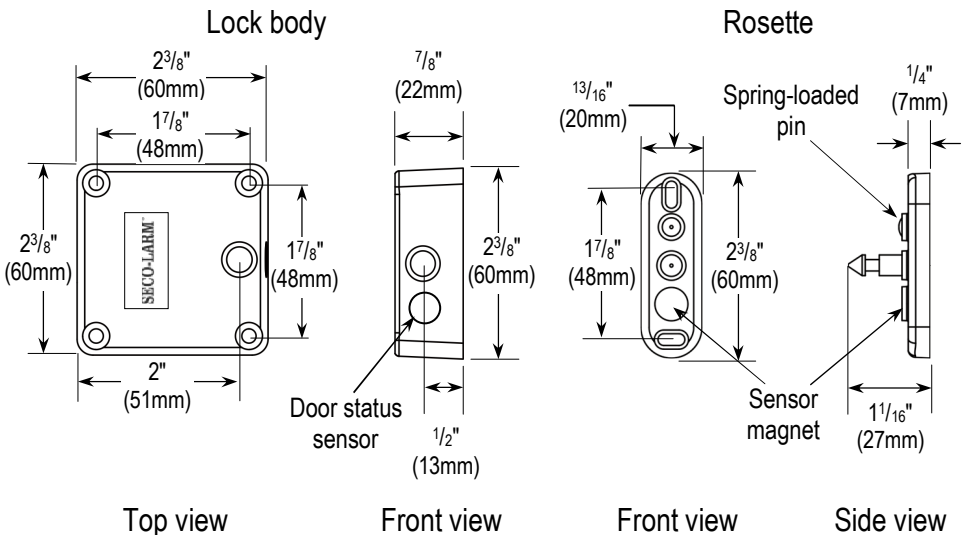
Parts List:

1x Lock body	1x Rosette	1x 5-Pin connector
5x Crimp connectors	4x Long wood screws	2x Short wood screws
1x Manual		

Specifications:

Operation		Fail-Secure
Operating voltage		12~28 VAC/VDC
Current draw	Standby	69mA@12/24 VDC
	Active	165mA@12/24 VDC
Lock status output		1A@125VAC
Door status output		1A@125VAC
Holding force		220-lb (100kg)
Relock time delay		2~5 seconds
Case		Polyamide
Operating humidity		0~95% non-condensing
Operating temperature		14°~113° F (-10°~45° C)
Dimensions	Lock body	2 ³ / ₈ "x2 ³ / ₈ "x7 ⁷ / ₈ " (60x60x22 mm)
	Rosette	1 ³ / ₁₆ "x2 ³ / ₈ "x1 ¹ / ₁₆ " (20x60x27 mm)
Weight		3-oz (93g)

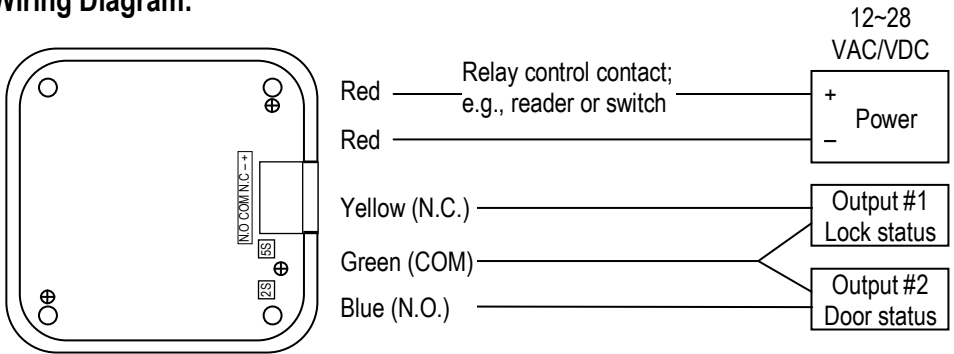
Overview:



Installation:

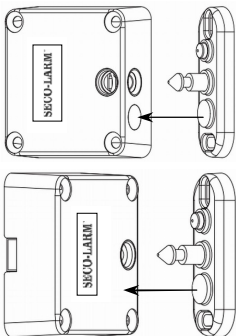
1. Find a suitable location for the cabinet lock. Ensure the lock body and rosette do not prevent the drawer/door from opening and closing completely.
2. Set relock time delay. See "Relock Time Delay" below.
3. Wire the cabinet lock according to the wiring diagram below.
4. Mount the lock body using the included 4 long wood screws.
5. Apply a small piece of double-sided tape (not included) to the back of the rosette and gently insert the pin into the receptacle on the lock body as to not lock the pin in place. Check that the rosette is orientated correctly. See "Door Status Sensor Position" below.
6. Close the drawer/door and open again. The rosette will be attached in the correct location.
NOTE: If the pin becomes locked, trigger the relay control contact to unlock it.
7. Secure the rosette to the drawer/door using the included 2 short wood screws.
8. Test to ensure the rosette is aligned properly. Make adjustments as needed.

Wiring Diagram:



Wire Color	Function
Yellow	Bond sensor contact output (indicates locking element is in the "locked" position)
Blue	Door status contact output (indicates door is closed)

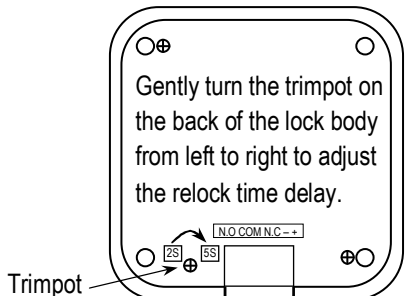
Door Status Sensor Position:



The sensor magnet on the rosette should match up with the sensor on the lock body.

For installations where the rosette faces the top of the lock body, the magnet and reed switch should be adjacent.

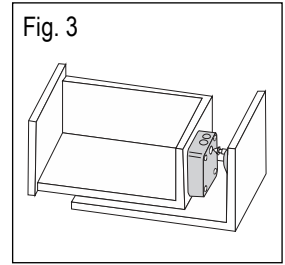
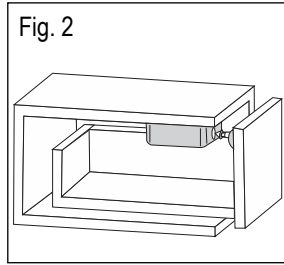
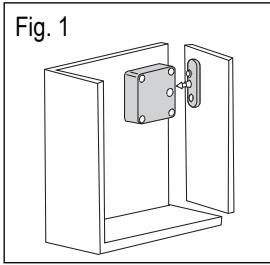
Relock Time Delay:



NOTE: Connected access control devices must set time delay an additional 3sec longer than the Motorized Cabinet Lock's relock time delay.

SECO-LARM Motorized Cabinet Lock

Sample Applications:



Troubleshooting:

Doesn't unlock

- Check connection to power
- Check connection to reader, switch, etc.

Doesn't lock

- Check connection to power
- Make sure the rosette's pin is going into the receptacle unobstructed and engaging the locking element completely

Door status contact output not working

- Check orientation of rosette (see pg. 3).

Also Available from SECO-LARM®:

Electric Deadbolt Cabinet Lock



SD-997C-GCQ

Mini Surface-Mount Deadbolt



SD-997B-1SQ

Access Control Keypad with Proximity Reader



SK-1131-SPQ

IMPORTANT: Users and installers of this product are responsible for ensuring this product complies with all national, state, and local laws and statutes related to monitoring and recording audio and video signals. SECO-LARM will not be held responsible for the use of this product in violation of any current laws or statutes.

WARRANTY: This SECO-LARM product is warranted against defects in material and workmanship while used in normal service for two (2) years from the date of sale to the original customer. SECO-LARM's obligation is limited to the repair or replacement of any defective part if the unit is returned, transportation prepaid, to SECO-LARM. This Warranty is void if damage is caused by or attributed to acts of God, physical or electrical misuse or abuse, neglect, repair or alteration, improper or abnormal usage, or faulty installation, or if for any other reason SECO-LARM determines that such equipment is not operating properly as a result of causes other than defects in material and workmanship. The sole obligation of SECO-LARM and the purchaser's exclusive remedy, shall be limited to the replacement or repair only, at SECO-LARM's option. In no event shall SECO-LARM be liable for any special, collateral, incidental, or consequential personal or property damage of any kind to the purchaser or anyone else.

NOTICE: The SECO-LARM policy is one of continual development and improvement. For that reason, SECO-LARM reserves the right to change specifications without notice. SECO-LARM is also not responsible for misprints. All trademarks are the property of SECO-LARM U.S.A., Inc. or their respective owners. Copyright © 2017 SECO-LARM U.S.A., Inc. All rights reserved.

SECO-LARM® U.S.A., Inc.

16842 Millikan Avenue, Irvine, CA 92606
Phone: (949) 261-2999 | (800) 662-0800

Website: www.seco-larm.com
Email: sales@seco-larm.com

 PITGW1

MI_CL-210M-U3BQ_171024.docx