

# ENFORCER®

## Wall-Plate Cameras

### Manual



See  
**MORE.**  
Wide Angle Camera

Model #	Video Output	Effective Pixels
EV-5105-N1SQ	NTSC	976x494 pixels
EV-5105-P1SQ	PAL	976x582 pixels

#### Features:

- Wide angle lens
- 960H high resolution
- Weatherproof IP67 construction
- Vandal-resistant design
- Adjustable mounting angle
- Includes: 1 camera, 1 single-gang plate, 1 slimline plate, and angled mounting rings
- WDR and 2DNR

# ENFORCER Wall-Plate Cameras

## Specifications:

Model	EV-5105-N1SQ	EV-5105-P1SQ
Type	Wall-plate camera	
Plate type	1 Single-gang, 1 slimline	
Image sensor	1/3" Interline Color CCD	
Resolution	700 TV Lines	
Video output format	NTSC	PAL
Effective pixels	976x494	976x582
2DNR	Yes	
WDR	Yes	
960H*	Yes	
Scanning system	2:1 Interface	
Sync	Internal	
Video output	1.0Vp-p Composite video, 75Ω	
Lens	2.3mm	
Viewing angle	165°	
Minimum illumination	0.1Lux	
Gamma correction	0.45	
S/N Ratio	>52dB	
Gain control	Auto	
Operating voltage	12VDC	
Current draw	74mA	
IP Rating	IP67	
Operating temperature	14°~122° F (-10°~50° C)	
Dimensions	Camera	1 1/8"x1 1/8"x1 1/2" (28x28x38 mm)
	Single-gang plate	2 3/4"x4 1/2" (70x114 mm)
	Slimline plate	1 1/2"x4 1/2" (38x114 mm)
Weight	3.5-oz (100g)	

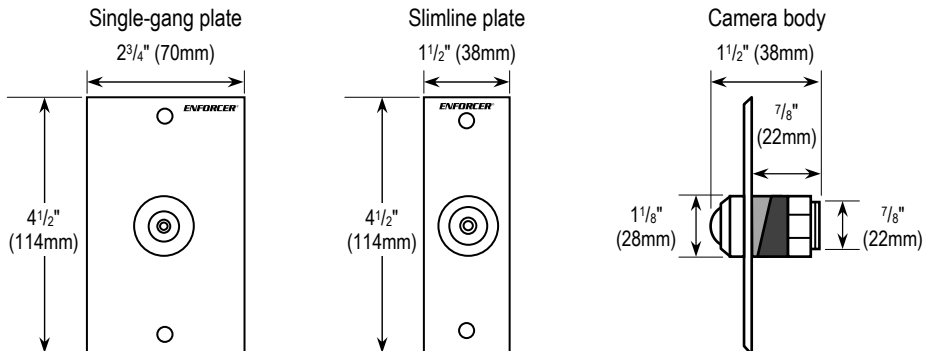
\*In order to take full advantage of 960H resolution, the camera must be used with a 960H DVR

## Parts List:

1x Camera	1x Single-gang plate	1x Slimline plate
2x Mounting screws	1x Angled aluminum ring	1x Angled rubber ring
1x Aluminum hex nut	1x Manual	

Parts list for the EV-5105-N1SQ shown

## Dimensions:



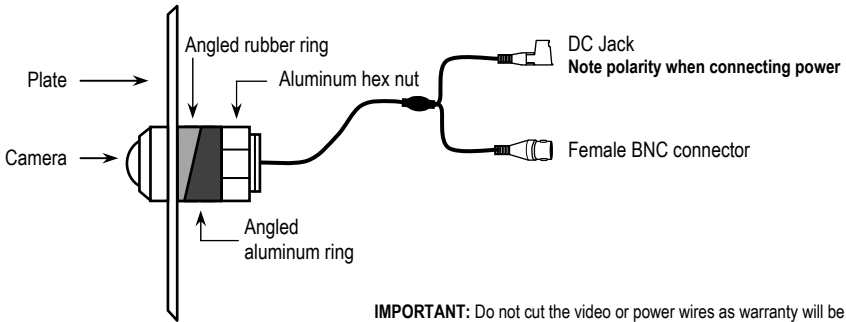
Dimensions for the EV-5105-N1SQ shown

## Before Starting:

1. Read this manually carefully and keep it for future reference.
2. Use the camera within given temperature and electrical limits.
3. Do not point the camera at the sun. Heat could damage the camera, even when not in use.
4. Do not mount the camera in areas exposed to radiation, strong magnetic fields, or strong electrical signals.
5. Do not open or disassemble the camera. There are no user-serviceable parts inside.
6. Do not subject the camera to extreme shock.

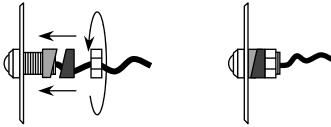
## Overview:

EV-5105-N1SQ shown

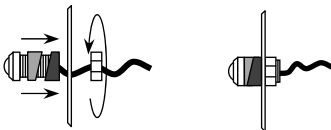


**IMPORTANT:** Do not cut the video or power wires as warranty will be voided.

## Mounting the Camera to the Plate:



To mount the camera to the plate, position the angled rings behind the plate and twist the aluminum hex nut on to secure the plate to the camera.



If an object installed next to the camera on the wall is blocking the field of vision, the angled rings may be installed in front of the wall plate to move the field of vision forward.

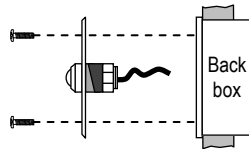
## Changing the Mounting Angle:



Install the angled rubber ring on the front of the plate so that the camera is tilted (approximately 20°).

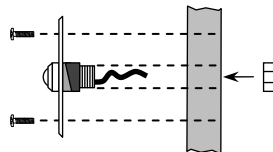
## Mounting Options:

**With a plate and back box (suggested):**



Mount directly to the back box (not included).

**Plate, no back box:**



Drill a 7/8" (22mm) hole in the wall to fit the camera body. Mount the plate directly to the wall.

**No Plate and no Back Box:**

Min. wall thickness:  
5/16" (8mm)

Max. wall thickness:  
3/4" (20mm)



Drill a 7/8" (22mm) hole into the wall to fit the camera body. If mounting to a thick surface, it may not be necessary to use the angled rings.

# ENFORCER Wall-Plate Cameras

## Troubleshooting:

The screen is blank	<ul style="list-style-type: none"><li>• Check that the camera is powered up</li><li>• Check that the power supply's polarity is correct</li><li>• Check that the monitor is powered up</li><li>• Check that the video cable connecting the camera to the monitor is connected properly</li></ul>
The screen image is dim	<ul style="list-style-type: none"><li>• Clean the lens using a soft, clean cloth</li></ul>
The screen image has poor contrast	<ul style="list-style-type: none"><li>• Adjust the monitor's contrast knob</li><li>• Change the position of the camera</li></ul>
The screen image flickers	<ul style="list-style-type: none"><li>• Change the position of the camera</li></ul>
The screen image is distorted	<ul style="list-style-type: none"><li>• Change the position of the camera</li></ul>
The camera case is hot	<ul style="list-style-type: none"><li>• Check that the correct power supply is in use</li></ul>

## Also Available:

4-in-1 HD Vandal Dome Camera



4-in-1 HD UFO Camera



4-in-1 HD Corner-mount Camera



**WARNING:** Stop using the camera if you see a malfunction such as smoke or unusual heat, as it could cause fire or electric shock. Do not open the case of this device, as there are no user-serviceable components inside.

Do not cut any wires as the warranty will be voided.

**IMPORTANT:** Users and installers of this product are responsible for ensuring this product complies with all national, state, and local laws and statutes related to monitoring and recording audio and video signals. SECO-LARM will not be held responsible for the use of this product in violation of any current laws or statutes.

## FCC COMPLIANCE STATEMENT

THIS DEVICE COMPLIES WITH PART 15 OF THE FCC RULES. OPERATION IS SUBJECT TO THE FOLLOWING TWO CONDITIONS: (1) THIS DEVICE MAY NOT CAUSE HARMFUL INTERFERENCE AND (2) THIS DEVICE MUST ACCEPT ANY INTERFERENCE RECEIVED, INCLUDING INTERFERENCE THAT MAY CAUSE UNDESIRE OPERATION.

Notice: The changes or modifications not expressly approved by the party responsible for compliance could void the user's authority to operate the equipment.

**IMPORTANT NOTE:** To comply with the FCC RF exposure compliance requirements, no change to the antenna or the device is permitted. Any change to the antenna or the device could result in the device exceeding the RF exposure requirements and void user's authority to operate the device.

**WARRANTY:** This SECO-LARM product is warranted against defects in material and workmanship while used in normal service for three (3) years from the date of sale to the original customer. SECO-LARM's obligation is limited to the repair or replacement of any defective part if the unit is returned, transportation prepaid, to SECO-LARM. This Warranty is void if damage is caused by or attributed to acts of God, physical or electrical misuse or abuse, neglect, repair or alteration, improper or abnormal usage, or faulty installation, or if for any other reason SECO-LARM determines that such equipment is not operating properly as a result of causes other than defects in material and workmanship. The sole obligation of SECO-LARM and the purchaser's exclusive remedy, shall be limited to the replacement or repair only, at SECO-LARM's option. In no event shall SECO-LARM be liable for any special, collateral, incidental, or consequential personal or property damage of any kind to the purchaser or anyone else.

**NOTICE:** The SECO-LARM policy is one of continual development and improvement. For that reason, SECO-LARM reserves the right to change specifications without notice. SECO-LARM is also not responsible for misprints. All trademarks are the property of SECO-LARM U.S.A., Inc. or their respective owners. Copyright © 2017 SECO-LARM U.S.A., Inc. All rights reserved.

## SECO-LARM® U.S.A., Inc.

16842 Millikan Avenue, Irvine, CA 92606  
Phone: (949) 261-2999 | (800) 662-0800

Website: [www.seco-larm.com](http://www.seco-larm.com)  
Email: [sales@seco-larm.com](mailto:sales@seco-larm.com)

 PITSW1  
Order Part# 764-100-6%  
MI\_EV-5105-x1SQ\_172803.docx