

ENFORCER®

EV-N1506-2W4Q

IP Fixed Bullet Camera

Manual



Features:

- 1/2.7" 5MP SMARTSENS CMOS
- H.265/H.264, Tri-stream IP Camera
- 12VDC, PoE 802.3af
- True Day & Night function with ICR mechanism
- Max. 20FPS/5MP, 1440p (2592x1944)
- Weather-resistant (IP66)
- 3DNR
- ONVIF Profile S, Profile G

ENFORCER IP Fixed Bullet Camera

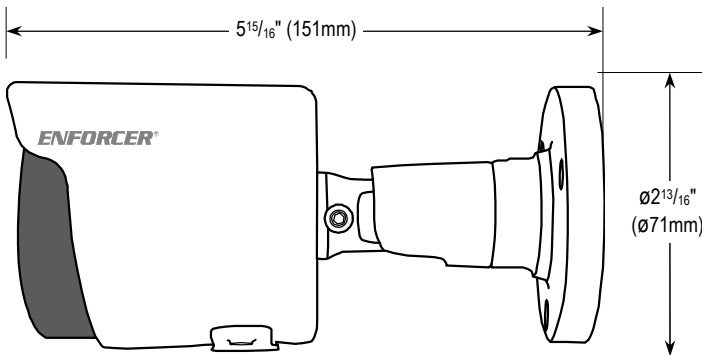
Specifications:

Type	Fixed Bullet Camera	
Sensor	1/2.7" 5MP SMARTSENS CMOS	
Video encoding	H.265/H.264	
Megapixels	5MP	
Resolution	1440p, 2592x1944	
DNR	2DNR	N/A
	3DNR	Yes
Scanning system	Progressive 1080p	
# of IR LEDs	2pcs (850nm)	
Lens	2.8mm	
Viewing angle	131°	
Minimum illumination	0.05 Lux	
F Stop	1.2	
Gamma correction	Auto	
S/N Ratio	N/A	
Gain control	Auto	
White balance	Auto	
Operating voltage	12VDC, PoE 802.3af	
Current draw (IR Off)	80mA max.	
IP Rating	IP66	
Operating temperature	-22°~131° F (-30°~55° C)	
Dimensions	ø2 ¹³ / ₁₆ "x5 ¹⁵ / ₁₆ " (ø71x151 mm)	
Weight	13.4-oz (370g)	

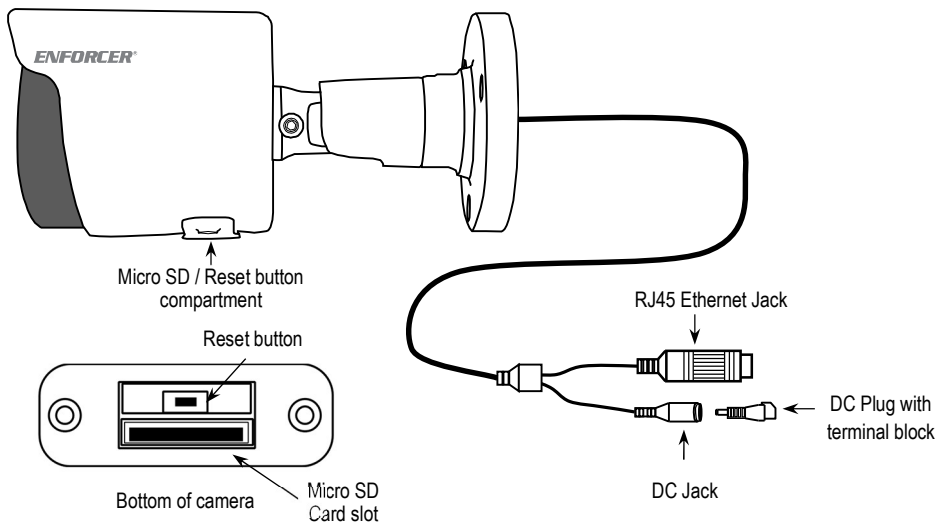
Parts List:

1x Camera	1x CD	3x Mounting screws
1x Security wrench	1x Manual	1x DC plug with terminal block

Dimensions:



Overview:



Before Starting:

1. Please read this manual carefully and keep it for future reference.
2. Use the camera within given temperature and electrical limits.
3. Do not point the camera at the sun. Heat could damage the camera, even when not in use.
4. Do not mount the camera in areas exposed to radiation, strong magnetic fields, or strong electrical signals.
5. Do not open or disassemble the camera. There are no field-serviceable parts inside.
6. Do not drop the camera or subject it to strong vibrations.

Installation:

1. Run a 12VDC power supply wire and cable with an RJ45 jack through the wall at the location where the camera is to be mounted. The 12VDC power supply wire is not required if using PoE.
2. Install and Execute "Device Config Tool" on a computer connected to the same network as the camera.
3. Press the "Search" button. This will search for IP cameras connected to the same router on the network. It may take several seconds to complete. Default IP address is 192.168.1.168.
4. Once the search is complete, click on the camera IP or type the IP address manually using Internet Explorer.
5. IP Address: The camera may use Dynamic or Static IP addressing. An example of a typical static IP setting is as follows:
IP Address: 192.168.0.10 (you can change the last column)
6. Input "admin" for user ID and password. If this is the user's first time logging into the camera, the user will be prompted for a new password.
NOTE: If the password is unknown, hold the RESET button located on the camera for about 10 seconds and reload "Device Config Tool".
7. In order to access the camera web interface, the user will be prompted to download and install the Active-X web plugin.
8. Once installed, the user will be able to view live camera video and modify necessary configurations.

Netmask: 255.255.255.0

Gateway: 192.168.0.1

DNS1/2: You can copy the PC's network properties. This is for an internet environment.

NOTE: For the full Web Admin manual, download from the camera's product page on www.seco-larm.com.

ENFORCER IP Fixed Bullet Camera

Troubleshooting:

The screen is blank.

- Check that the camera is powered up.
- Check that the power supply's polarity is correct.
- Check that the monitor is powered up.
- Check that the video cable connecting the camera to the monitor is connected properly.

The screen image is dim.

- Clean the lens using a soft, clean cloth.
- Check that the light source is adequate.

The screen image has poor contrast.

- Adjust the monitor's contrast knob.
- Change the position of the camera.

The screen image flickers.

- Change the position of the camera.

The screen image is distorted.

- Change the position of the camera.

The camera case is hot.

- Check that the correct power supply is in use.

WARNING: Stop using the camera if you see a malfunction such as smoke or unusual heat, as it could cause fire or electric shock. Do not open the case of this device, as there are no user-serviceable components inside.

IMPORTANT: Users and installers of this product are responsible for ensuring this product complies with all national, state, and local laws and statutes related to monitoring and recording audio and video signals. SECO-LARM will not be held responsible for the use of this product in violation of any current laws or statutes.

FCC COMPLIANCE STATEMENT

THIS DEVICE COMPLIES WITH PART 15 OF THE FCC RULES. OPERATION IS SUBJECT TO THE FOLLOWING TWO CONDITIONS: (1) THIS DEVICE MAY NOT CAUSE HARMFUL INTERFERENCE AND (2) THIS DEVICE MUST ACCEPT ANY INTERFERENCE RECEIVED, INCLUDING INTERFERENCE THAT MAY CAUSE UNDESIRE OPERATION.

Notice: The changes or modifications not expressly approved by the party responsible for compliance could void the user's authority to operate the equipment.

IMPORTANT NOTE: To comply with the FCC RF exposure compliance requirements, no change to the antenna or the device is permitted. Any change to the antenna or the device could result in the device exceeding the RF exposure requirements and void user's authority to operate the device.

WARRANTY: This SECO-LARM product is warranted against defects in material and workmanship while used in normal service for three (3) years from the date of sale to the original customer. SECO-LARM's obligation is limited to the repair or replacement of any defective part if the unit is returned, transportation prepaid, to SECO-LARM. This Warranty is void if damage is caused by or attributed to acts of God, physical or electrical misuse or abuse, neglect, repair or alteration, improper or abnormal usage, or faulty installation, or if for any other reason SECO-LARM determines that such equipment is not operating properly as a result of causes other than defects in material and workmanship. The sole obligation of SECO-LARM and the purchaser's exclusive remedy, shall be limited to the replacement or repair only, at SECO-LARM's option. In no event shall SECO-LARM be liable for any special, collateral, incidental, or consequential personal or property damage of any kind to the purchaser or anyone else.

NOTICE: The SECO-LARM policy is one of continual development and improvement. For that reason, SECO-LARM reserves the right to change specifications without notice. SECO-LARM is also not responsible for misprints. All trademarks are the property of SECO-LARM U.S.A., Inc. or their respective owners. Copyright © 2020 SECO-LARM U.S.A., Inc. All rights reserved.

SECO-LARM® U.S.A., Inc.

16842 Millikan Avenue, Irvine, CA 92606
Phone: (949) 261-2999 | (800) 662-0800

Website: www.seco-larm.com
Email: sales@seco-larm.com

 PICRN3

MI_EV-N1506-2W4Q_200803.docx