

ENFORCER®

EV-Y2201-AMWAQ

4-in-1 HD TVI, CVI, AHD, Analog
Vandal Dome Camera

Manual



Features:

- Select between multiple formats: TVI, CVI, AHD, and Analog
- Joystick OSD control
- 1080p Resolution
- 1/2.9" 2MP Sony CMOS
- Two-axis gimbal rotation
- 24 IR LEDs
- 2.8-12mm Lens
- Rugged, weatherproof (IP65) construction
- Supports UTC programming

ENFORCER 4-in-1 HD TVI, CVI, AHD, Analog Vandal Dome Camera

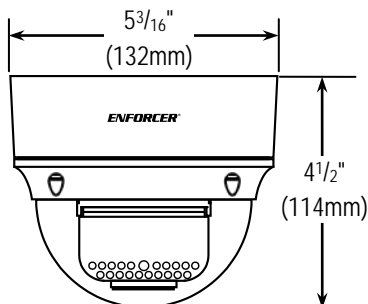
Specifications:

Type	Vandal Dome Camera	
Formats	TVI (Default) / CVI / AHD / Analog	
CMOS	1/2" 2MP Sony CMOS	
Resolution (HD)	1920x1080	
TV Lines (Analog)	1200TVL	
2D-NR	Yes	
3D-NR	Yes	
DWDR	Yes	
OSD (On-Screen Display)	Yes	
Cable OSD control	Yes	
Video output	1.0Vp-p Complex video output	
Megapixels	2MP	
Lens	2.8-12mm ICR	
Viewing angle	30°-90°	
# of IR LEDs	24 (850nm)	
IR Range	Up to 100ft (30m)	
FPS	30	
F Stop	F1.4-F1.6	
Minimum illumination (IR On)	0Lux	
Gamma correction	0-1	
S/N Ratio	50dB	
Gain control	Yes	
White balance	Auto, Day & Night	
Shutter control	Yes	
Current draw	(IR On)	270mA
	(IR Off)	90mA
IP Rating	IP65	
Operating voltage	12VDC	
Operating temperature	-4°-131° F (-20°-55° C)	
Dimensions	5 ³ / ₁₆ "x4 ¹ / ₂ " (132x114 mm)	
Weight	1-lb, 9.3-oz (717g)	

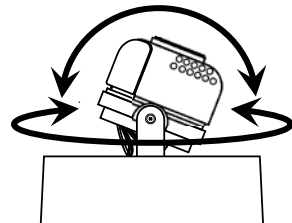
Parts List:

1x Camera	4x Mounting screws	1x Security screw	1x Screwdriver
1x DC Plug with terminal block	4x Screw anchors	1x Mounting plate	1x Allen wrench
1x Manual	1x OSD Manual		

Dimensions:



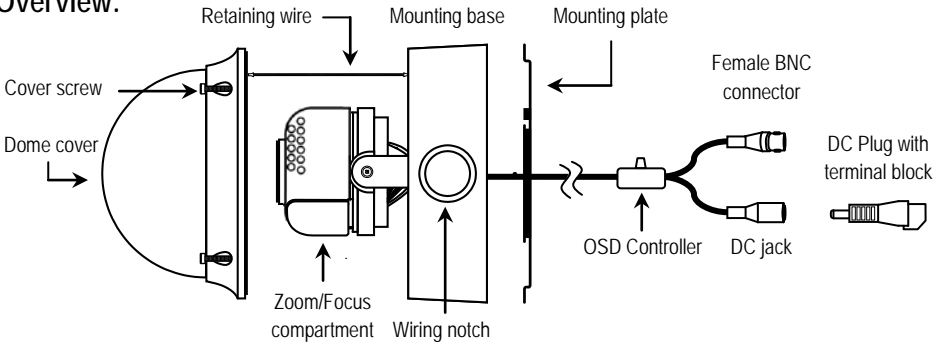
Adjusting the 2-Axis Gimbal:



Move the camera vertically up and down or rotate the camera to change the lens angle.

ENFORCER 4-in-1 HD TVI, CVI, AHD, Analog Vandal Dome Camera

Overview:



Important: Do not cut any wires as the warranty will be voided.

Zoom and Focus Adjustment:

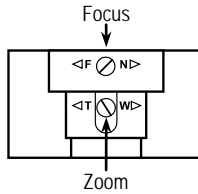
To adjust the zoom and focus, open the Zoom/Focus compartment located in the camera body. Use the provided flathead screwdriver to loosen the zoom and focus screws to allow for adjustment.

Focus

To focus in on close objects, push the focus screw right towards "N".
To focus out on far objects, push the screw right towards "F".

Zoom

To zoom in, push the zoom screw left towards "T". To zoom out, push the screw right towards "W".

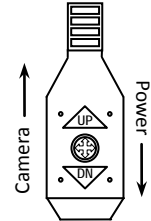


OSD Controller Settings:

To set format via the OSD controller, press the controller in the direction of the desired setting, hold for 5 seconds, and release when the camera restarts.

See chart below.

Direction	Format Setting
Up	CVI
Down	TVI
Left	CVBS
Right	AHD



Before Starting:

1. Use the camera within the given temperature and voltage limits.
2. Do not point the camera at the sun. Heat can damage the camera even when not in use.
3. Do not subject the camera to strong vibrations.
4. Do not mount the camera in areas exposed to radiation, strong magnetic fields, or strong electrical signals.

Installation:

1. Undo the 4 screws on the side of the dome cover using the included allen wrench.
2. Remove the dome cover from the base.
3. Temporarily connect the camera's female BNC connector to a monitor.
4. Temporarily connect the camera's DC jack to a 12VDC power supply.
5. While watching the monitor, hold the camera against the wall or ceiling by hand where it is to be mounted, then adjust the camera until it is certain that the mounting location is correct. Mark that location with a pencil.
6. Adjust the zoom and focus to desired settings. See "Zoom and Focus Adjustment".
7. Use the OSD controller's joystick to adjust the camera settings. See "OSD Controller Settings". (For more information, see separate OSD manual).
8. Mount the camera mounting plate to the wall using the included mounting screws, making sure the bottom of the plate sits flush against the wall.
9. Run a hidden, permanent video cable from the monitor to the camera.
10. Run a hidden, permanent power cable from a 12VDC power supply to the camera.
11. If the installation involves surface wiring, use the wiring notch located on the side of the mounting base.
12. Reattach and secure the dome to the mounting base.
13. Test the camera again under the exact lighting conditions which it is expected to be used.
14. Fit the camera mounting base onto the mounting bracket's outer ring.
15. Twist the camera mounting base to secure and lock the base onto the mounting bracket's outer ring by screwing in the set screw located on the mounting base.
16. Make any necessary adjustments to the camera angle by gently twisting the camera on its axes.
17. Do a final test of the video camera and monitor.

ENFORCER 4-in-1 HD TVI, CVI, AHD, Analog Vandal Dome Camera

Troubleshooting:

The screen is black	<ul style="list-style-type: none">• Check that the camera is powered up• Check that the power supply's polarity is correct• Check that the monitor is powered up• Check that the video cable connecting the camera to the monitor is connected properly
The image is foggy or washed out at night	<ul style="list-style-type: none">• Check that there are no objects very close to the camera• Check that there are no highly reflective objects in the scene
The screen image is dim	<ul style="list-style-type: none">• Clean the lens using a soft, clean cloth• Check that the light source is adequate
The screen image has poor contrast	<ul style="list-style-type: none">• Adjust the monitor's contrast knob• Change the position of the camera
The screen image flickers	<ul style="list-style-type: none">• Change the position of the camera, check cables and format setting
The screen image is distorted	<ul style="list-style-type: none">• Change the position of the camera, check cables and format setting
The camera case is hot	<ul style="list-style-type: none">• Check that the correct power supply is in use
IR LEDs do not turn on	<ul style="list-style-type: none">• Check that the correct power supply is in use

WARNING: Stop using the camera if you see a malfunction such as smoke or unusual heat, as it could cause fire or electric shock. Do not open the case of this device, as there are no user-serviceable components inside. Do not cut any wires as the warranty will be voided.

IMPORTANT: Users and installers of this product are responsible for ensuring this product complies with all national, state, and local laws and statutes related to monitoring and recording audio and video signals. SECO-LARM will not be held responsible for the use of this product in violation of any current laws or statutes.

FCC COMPLIANCE STATEMENT

THIS DEVICE COMPLIES WITH PART 15 OF THE FCC RULES. OPERATION IS SUBJECT TO THE FOLLOWING TWO CONDITIONS: (1) THIS DEVICE MAY NOT CAUSE HARMFUL INTERFERENCE AND (2) THIS DEVICE MUST ACCEPT ANY INTERFERENCE RECEIVED, INCLUDING INTERFERENCE THAT MAY CAUSE UNDESIRE OPERATION.

Notice: The changes or modifications not expressly approved by the party responsible for compliance could void the user's authority to operate the equipment.

IMPORTANT NOTE: To comply with the FCC RF exposure compliance requirements, no change to the antenna or the device is permitted. Any change to the antenna or the device could result in the device exceeding the RF exposure requirements and void user's authority to operate the device.

WARRANTY: This SECO-LARM product is warranted against defects in material and workmanship while used in normal service for three (3) years from the date of sale to the original customer. SECO-LARM's obligation is limited to the repair or replacement of any defective part if the unit is returned, transportation prepaid, to SECO-LARM. This Warranty is void if damage is caused by or attributed to acts of God, physical or electrical misuse or abuse, neglect, repair or alteration, improper or abnormal usage, or faulty installation, or if for any other reason SECO-LARM determines that such equipment is not operating properly as a result of causes other than defects in material and workmanship. The sole obligation of SECO-LARM and the purchaser's exclusive remedy, shall be limited to the replacement or repair only, at SECO-LARM's option. In no event shall SECO-LARM be liable for any special, collateral, incidental, or consequential personal or property damage of any kind to the purchaser or anyone else.

NOTICE: The SECO-LARM policy is one of continual development and improvement. For that reason, SECO-LARM reserves the right to change specifications without notice. SECO-LARM is also not responsible for misprints.


Copyright © 2017 SECO-LARM U.S.A., Inc. All rights reserved. This material may not be reproduced or copied, in whole or in part, without the written permission of SECO-LARM.

SECO-LARM® U.S.A., Inc.

16842 Millikan Avenue, Irvine, CA 92606
Phone: (949) 261-2999 | (800) 662-0800

Website: www.seco-larm.com

Email: sales@seco-larm.com

 PICSNA

ML_EV-Y2201-AMWAO_170207.docx