

# **ENFORCER®**

**EV-Y6501-A3WQ**

**4-in-1 HD TVI, CVI, AHD, Analog  
Covert PIR Camera**

**Manual**



## **Features:**

- Select between multiple formats: TVI, CVI, AHD, and Analog
- Joystick OSD Control
- D-WDR (Digital Wide Dynamic Range)
- Camera is hidden in a non-functioning PIR sensor housing
- 1/2.8" 5MP Sony CMOS
- 3.7mm Covert pinhole lens
- 18 Covert IR LEDs for discreet monitoring
- 1440p Resolution
- 2DNR (2D Digital Noise Reduction)

# ENFORCER 4-in-1 HD TVI, CVI, AHD, Analog Covert PIR Camera

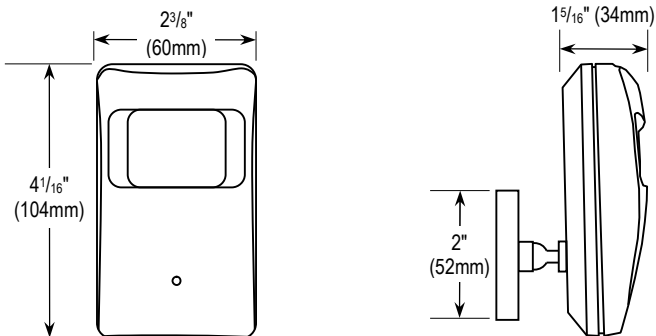
## Specifications:

Type	Covert PIR Camera	
Formats	TVI (Default) / CVI / AHD / Analog	
CMOS	1/2.8" 5MP Sony CMOS	
Resolution (HD)	2592x1944, 1440p	
2DNR	Yes	
D-WDR	Yes	
OSD (On-Screen Display)	Yes	
Cable OSD control	Yes	
Video output	BNC	
Megapixels	5MP	
Lens	3.7mm Pinhole lens	
Viewing angle	120°	
# of IR LEDs	18 Covert (940nm)	
IR Range	Up to 50ft (15m)	
FPS	20	
F Stop	2.2	
Minimum illumination	(IR On)	0.1 Lux
	(IR Off)	0.01 Lux
S/N Ratio	>50dB	
Gain control	Yes	
White balance	Auto, Day & Night	
Shutter control	AES (Auto Electric Shutter), 1/60~1/50,000 s	
Current draw	(IR On)	<3.5W
	(IR Off)	<2W
Operating voltage	80mA@12VDC	
Operating temperature	-4°~140° F (-20°~60° C)	
Dimensions	4 1/16"x2 3/8" x1 5/16" (104x60x34 mm)	
Weight	12.3-oz (350g)	

## Parts List:

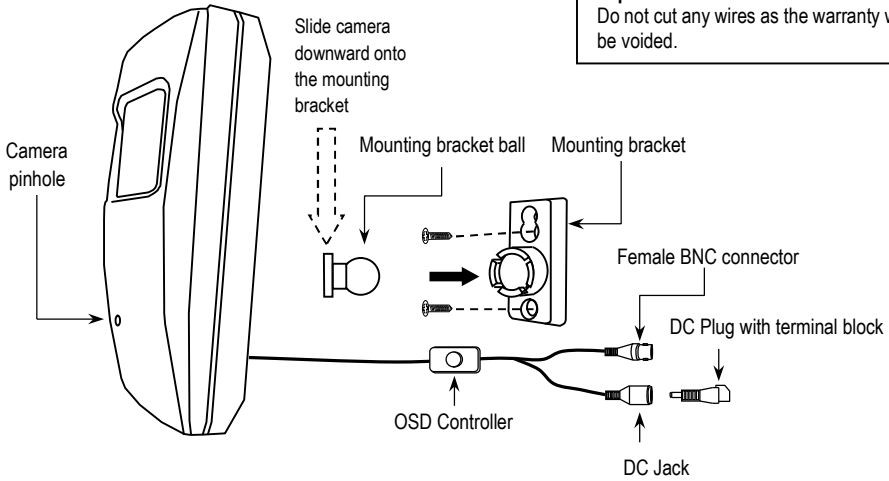
1x Camera    2x Mounting screws    1x Mounting bracket                          1x Manual  
1x DC Plug with Terminal Block    2x Screw anchors                          1x Mounting bracket ball

## Dimensions:



# ENFORCER 4-in-1 HD TVI, CVI, AHD, Analog Covert PIR Camera

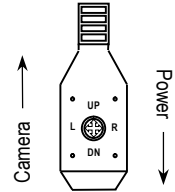
## Overview:



## OSD Controller Settings:

To set format via the OSD controller, press the controller in the direction of the desired setting, hold for 5 seconds, and release when the camera restarts. See chart to the right.

Direction	Format Setting
Up	CVBS
Down	CVI
Left	AHD
Right	TVI



## Before starting:

1. Use the camera within the given temperature and voltage limits.
2. Do not point the camera at the sun. Heat can damage the camera even when not in use.
3. Do not subject the camera to strong vibrations.
4. Do not mount the camera in areas exposed to radiation, strong magnetic fields, or strong electrical signals.

## Installation:

1. Run a 12VDC power supply wire and a video cable with a male BNC connector through the wall to where the camera will be mounted.
2. Connect the camera's video and power cables.
3. Temporarily mount the camera to test its function and display.
4. Do a preliminary test of the camera to ensure it will work properly. Partially screw a screw into the wall where the top of the bracket should go. Slide the bracket onto the screw. Finish securing the top of the bracket to the wall.
5. Secure the bottom of the bracket to the wall.
6. Attach the mounting bracket ball to the mounting bracket by gently pushing the ball into the bracket.
7. Attach the camera to the assembled bracket by sliding the camera downward.
8. Do a final test of the video camera and monitor.
9. Program the camera if needed via the attached OSD joystick.

**NOTE:** For the OSD manual, download from the camera's product page on [www.seco-larm.com](http://www.seco-larm.com).

# ENFORCER 4-in-1 HD TVI, CVI, AHD, Analog Covert PIR Camera

## Troubleshooting:

The screen is black	<ul style="list-style-type: none"><li>• Check that the camera is powered up</li><li>• Check that the power supply's polarity is correct</li><li>• Check that the monitor is powered up</li><li>• Check that the video cable connecting the camera to the monitor is connected properly</li></ul>
The image is foggy or washed out at night	<ul style="list-style-type: none"><li>• Check that there are no objects very close to the camera</li><li>• Check that there are no highly reflective objects in the scene</li></ul>
The screen image is dim	<ul style="list-style-type: none"><li>• Clean the lens using a soft, clean cloth</li><li>• Check that the light source is adequate</li></ul>
The screen image has poor contrast	<ul style="list-style-type: none"><li>• Adjust the monitor's contrast knob</li><li>• Change the position of the camera</li></ul>
The screen image flickers	<ul style="list-style-type: none"><li>• Change the position of the camera, check cables and format setting</li></ul>
The screen image is distorted	<ul style="list-style-type: none"><li>• Change the position of the camera, check cables and format setting</li></ul>
The camera case is hot	<ul style="list-style-type: none"><li>• Check that the correct power supply is in use</li></ul>
IR LEDs do not turn on	<ul style="list-style-type: none"><li>• Check that the correct power supply is in use</li></ul>

**WARNING:** Stop using the camera if you see a malfunction such as smoke or unusual heat, as it could cause fire or electric shock. Do not open the case of this device, as there are no user-serviceable components inside.  
Do not cut any wires as the warranty will be voided.

**IMPORTANT:** Users and installers of this product are responsible for ensuring this product complies with all national, state, and local laws and statutes related to monitoring and recording audio and video signals. SECO-LARM will not be held responsible for the use of this product in violation of any current laws or statutes.

### FCC COMPLIANCE STATEMENT

THIS DEVICE COMPLIES WITH PART 15 OF THE FCC RULES. OPERATION IS SUBJECT TO THE FOLLOWING TWO CONDITIONS: (1) THIS DEVICE MAY NOT CAUSE HARMFUL INTERFERENCE AND (2) THIS DEVICE MUST ACCEPT ANY INTERFERENCE RECEIVED, INCLUDING INTERFERENCE THAT MAY CAUSE UNDESIRABLE OPERATION.

Notice: The changes or modifications not expressly approved by the party responsible for compliance could void the user's authority to operate the equipment.

**IMPORTANT NOTE:** To comply with the FCC RF exposure compliance requirements, no change to the antenna or the device is permitted. Any change to the antenna or the device could result in the device exceeding the RF exposure requirements and void user's authority to operate the device.

**WARRANTY:** This SECO-LARM product is warranted against defects in material and workmanship while used in normal service for three (3) years from the date of sale to the original customer. SECO-LARM's obligation is limited to the repair or replacement of any defective part if the unit is returned, transportation prepaid, to SECO-LARM. This Warranty is void if damage is caused by or attributed to acts of God, physical or electrical misuse or abuse, neglect, repair or alteration, improper or abnormal usage, or faulty installation, or if for any other reason SECO-LARM determines that such equipment is not operating properly as a result of causes other than defects in material and workmanship. The sole obligation of SECO-LARM and the purchaser's exclusive remedy, shall be limited to the replacement or repair only, at SECO-LARM's option. In no event shall SECO-LARM be liable for any special, collateral, incidental, or consequential personal or property damage of any kind to the purchaser or anyone else.

**NOTICE:** The SECO-LARM policy is one of continual development and improvement. For that reason, SECO-LARM reserves the right to change specifications without notice. SECO-LARM is also not responsible for misprints. All trademarks are the property of SECO-LARM U.S.A., Inc. or their respective owners. Copyright © 2020 SECO-LARM U.S.A., Inc. All rights reserved.

## SECO-LARM® U.S.A., Inc.

16842 Millikan Avenue, Irvine, CA 92606  
Phone: (949) 261-2999 | (800) 662-0800

Website: [www.seco-larm.com](http://www.seco-larm.com)  
Email: [sales@seco-larm.com](mailto:sales@seco-larm.com)



ML\_EV-Y6501-A3WQ\_200429.docx