

ENFORCER®

GW-SD31W Smoke Detector Wire Guard GW-SL31W Strobe Light Wire Guard

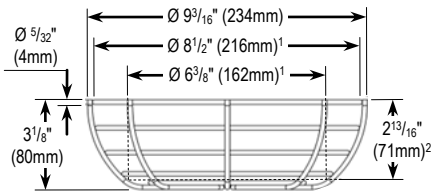
Manual

Parts List:

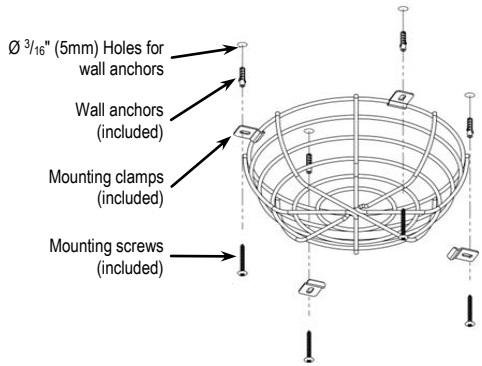
- | | |
|--------------------|-------------------------|
| 1x Wire guard | 4x Mounting screws |
| 4x Mounting clamps | 4x Plastic wall anchors |

Installation:

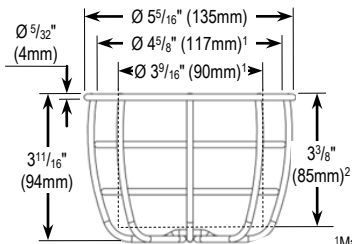
GW-SD31W Smoke Detector Wire Guard



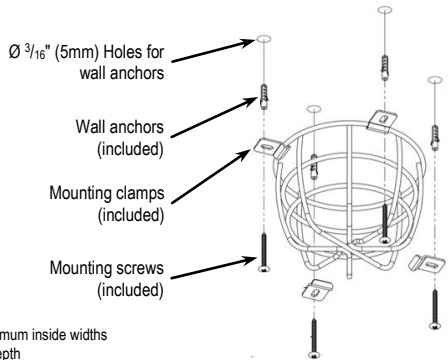
¹Maximum and minimum inside widths
²Maximum inside depth



GW-SL31W Strobe Light Wire Guard



¹Maximum and minimum inside widths
²Maximum inside depth



WARRANTY: This SECO-LARM product is warranted against defects in material and workmanship while used in normal service for 1 (one) year from the date of sale to the original customer.

NOTICE: The SECO-LARM policy is one of continual development and improvement. For that reason, SECO-LARM reserves the right to change specifications without notice. SECO-LARM is not responsible for misprints. Copyright © 2017 SECO-LARM U.S.A., Inc. All rights reserved. This material may not be reproduced or copied, in whole or in part, without the written permission of SECO-LARM.

SECO-LARM® U.S.A., Inc.

16842 Millikan Avenue, Irvine, CA 92606
Phone: (949) 261-2999 | (800) 662-0800

Website: www.seco-larm.com
Email: sales@seco-larm.com

 PITSW1
Order Part# 762-119%
MI_GW-Sx31W_170120.docx

SECO-LARM U.S.A., Inc.