

# ENFORCER<sup>®</sup>

## MVA-HT01Q

### HDMI-to-Composite Converter

### Manual



**HDMI<sup>®</sup>**  
HIGH-DEFINITION MULTIMEDIA INTERFACE



- Converts HDMI to composite video + stereo audio
- Supports input resolutions up to 1920x1080
- Supports NTSC or PAL output
- Stereo analog audio output
- Plug and play operation

# ENFORCER HDMI-to-Composite Converter

## Introduction:

The MVA-HT01Q HDMI-to-Composite Converter allows the user to view video from HDMI devices on analog TVs or projectors without HDMI inputs. Active operation allows the conversion of formats as large as 1920x1080. The MVA-HT01Q also has a L/R analog stereo output allowing the conversion of audio as well.

## Specifications:

Supported input resolutions	1080p/1080i/720p/576p/576i/480p/480i
Video input signal	3.3V
DDC input signal	5V
Vertical frequency	50/60Hz
Video amplifier bandwidth	1.65Gbps
Video formats supported	High-speed HDMI, HDCP 1.2
Audio formats supported	LPCM
Output video	NTSC/PAL
Input video connector	HDMI Type A 19-pin female
Output video connector	RCA female
Output audio connector	RCA female
Power supply	5VDC (USB)
ESD protection (Human body model)	±8 kV (air-gap discharge), ±4 kV (contact discharge)
Operating temperature	32°~104° F (0°~40° C)
Operating humidity	20~90% RH (no condensation)
Dimensions	2 <sup>3</sup> / <sub>8</sub> "x2 <sup>1</sup> / <sub>8</sub> "x1 <sup>3</sup> / <sub>16</sub> " (66x54x20mm)
Weight	1.4-oz (40g)

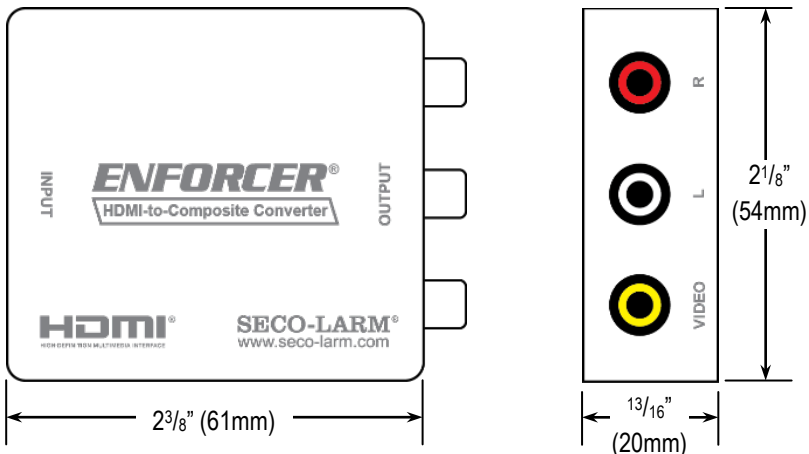
## Parts List:

1x HDMI-to-Composite Converter

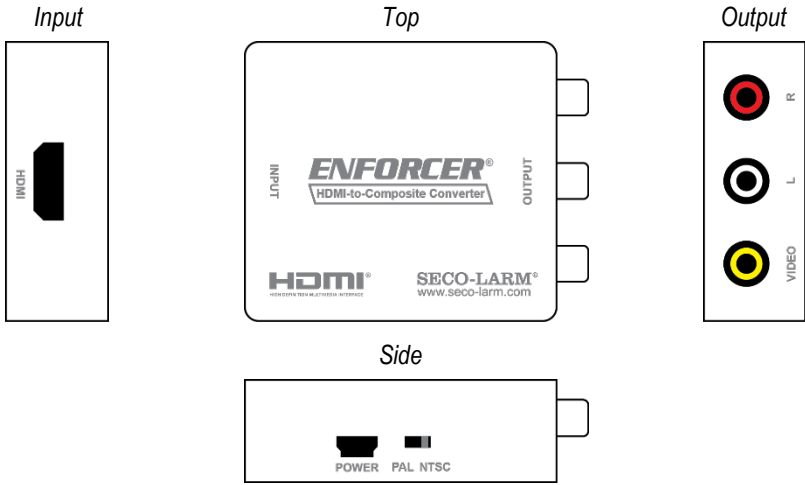
1x USB Power cable

1x Manual

## Dimensions:



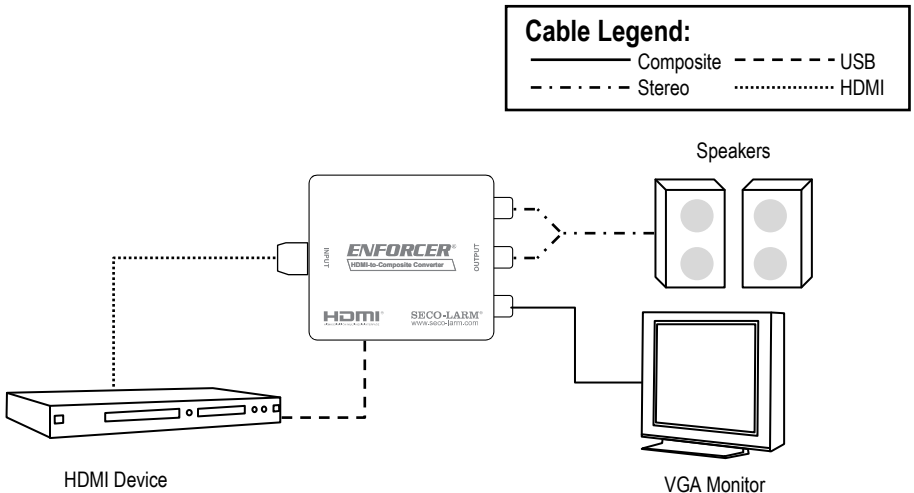
## Overview:



## Installation:

1. Decide where the converter will be installed.
2. Connect the HDMI cable from the HDMI device to the input of the converter.
3. Connect the composite RCA cable from the monitor to the analog output of the converter.
4. Connect the speakers' stereo audio cables to the audio output of the converter.
5. Using the included USB cable, connect power from a powered USB port on the HDMI device.
6. Switch on the analog monitor and HDMI device and verify that the system is functioning properly.

## Sample Application:



# ENFORCER HDMI-to-Composite Converter

## Troubleshooting:

HDMI device does not function correctly.

- Make sure the converter is powered.
- Make sure the input and output devices are powered.
- Test the cables separately to make sure they are functioning.
- Make sure that you are trying to convert HDMI to composite video. The MVA-HT010Q does not convert composite video to HDMI.

## Also Available from SECO-LARM:



**MVE-AH010Q**  
HDMI Extender over Dual  
Cat5e/6



**MVE-AH030Q**  
HDMI Extender over Single  
Cat5e/6



High-Speed  
HDMI Cables



**MVS-AH31-01NQ**  
**MVS-AH51-01NQ**  
4K HDMI Switchers



**MVD-AH12-01Q**  
**MVD-AH14-01Q**  
**MVD-AH18-01Q**  
4K HDMI Splitters



**MVE-AH030AQ**  
Basic HDMI Extender over  
Single Cat5e/6

HDMI, the HDMI Logo and High-Definition Multimedia Interface are trademarks or registered trademarks of HDMI Licensing LLC in the United States and other countries.

**WARRANTY:** This SECO-LARM product is warranted against defects in material and workmanship while used in normal service for one (1) year from the date of sale to the original customer. SECO-LARM's obligation is limited to the repair or replacement of any defective part if the unit is returned, transportation prepaid, to SECO-LARM. This Warranty is void if damage is caused by or attributed to acts of God, physical or electrical misuse or abuse, neglect, repair or alteration, improper or abnormal usage, or faulty installation, or if for any other reason SECO-LARM determines that such equipment is not operating properly as a result of causes other than defects in material and workmanship. The sole obligation of SECO-LARM and the purchaser's exclusive remedy, shall be limited to the replacement or repair only, at SECO-LARM's option. In no event shall SECO-LARM be liable for any special, collateral, incidental, or consequential personal or property damage of any kind to the purchaser or anyone else.

**NOTICE:** The information and specifications printed in this manual are current at the time of publication. However, the SECO-LARM policy is one of continual development and improvement. For this reason, SECO-LARM reserves the right to change specifications without notice. SECO-LARM is also not responsible for misprints or typographical errors. Trademarks are the property of SECO-LARM USA Inc. or their respective owners.

Copyright © 2016 SECO-LARM U.S.A., Inc. All rights reserved. This material may not be reproduced or copied, in whole or in part, without the written permission of SECO-LARM.

## SECO-LARM® U.S.A., Inc.

16842 Millikan Avenue, Irvine, CA 92606

Phone: (949) 261-2999 | (800) 662-0800

Website: [www.seco-larm.com](http://www.seco-larm.com)

Email: [sales@seco-larm.com](mailto:sales@seco-larm.com)

 PICHN3

MI\_MVA-HT01Q\_160208.docx