

ENFORCER®

MVE-AH010Q

HDMI® Extender over Dual Cat5e/6

Manual



HDMI®
HIGH-DEFINITION MULTIMEDIA INTERFACE



- Extend HDMI over two Cat5e/6 cables
- Supports resolutions from 480i to 1080p with zero signal loss
- Transmits up to 196ft (60m) at 1080p over two Cat6 cables
- Plug and play operation – comes as a complete set
- IR Pass-through for remote control extension

Introduction:

The ENFORCER HDMI Extender over Cat5e/6 extends the range of HDMI by using a transmitter and an active receiver to send video and audio over two Cat5e/6 cables. HDMI Formats as high as 1080p can be transmitted up to 196ft (60m) between the two units with zero signal loss.

Features:

- **Signal Strength** – Transmitter ensures that the signal strength will remain strong over the length of the cable.
- **Distance** – The HDMI Extender over Cat5e/6 is capable of providing a clear HDMI signal up to 196ft (60m).
- **Formats Supported** – The HDMI Extender over Cat5e/6 supports both progressive and interlaced formats: 1080p/1080i/720p/576p/576i/480p/480i.
- **Plug and Play** – The HDMI Extender over Cat5e/6 comes as a complete set consisting of a transmitter, receiver, and power supply. No adjustments or settings must be made, the unit is ready to use right out of the box.
- **Zero Signal Loss** – Integrated circuits in the transmitter and receiver clean, buffer and amplify the HDMI signal to prevent signal loss and ensure a clear signal regardless of the length of the cable.
- **IR Pass-Through** – Send IR signals from the HDMI source to the HDMI monitor for discrete operation of devices.

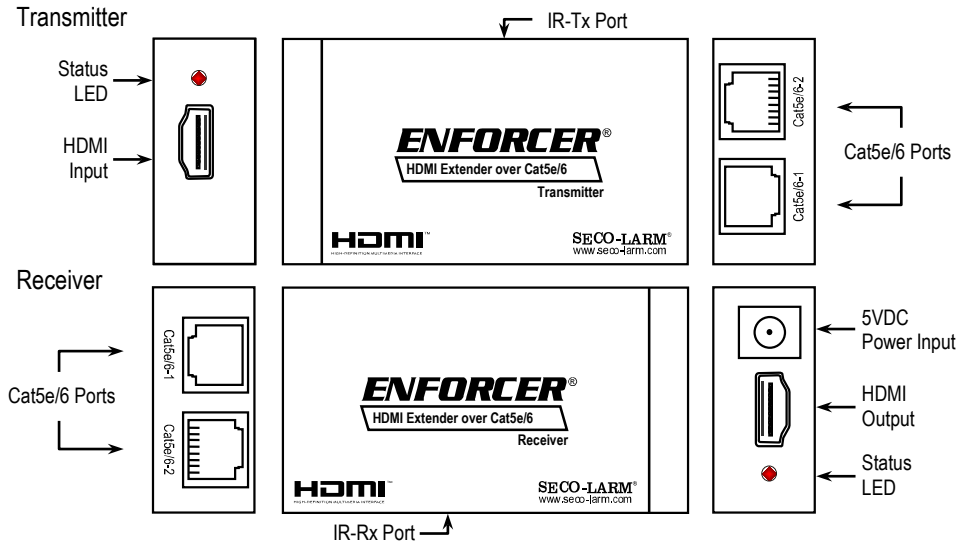
Specifications:

Model Number		MVE-AH010Q
Input Video signal		3.3V
Input DDC signal		5Vp-p (TTL)
Maximum single link range		1080p
Deep color		24bit
Video formats supported		High-speed HDMI, HDCP 1.2
Audio formats supported		LPCM, Dolby-AC3, DTS7.1, DSD
Output video		HDMI
Resolutions supported		1080p/1080i/720p/576p/576i/480p/480i
Range – 1080p	Cat 6	Up to 196' (60m)
	Cat5e	Up to 98' (30m)
Video amplifier bandwidth		1.65Gbps
Video input connector		HDMI Type A 19-pin female
Maximum input cable length		24AWG (15m), 26AWG (10m), 28AWG (5m)
Video output connector		HDMI Type A 19-pin female
Maximum output cable length		24AWG (15m), 26AWG (10m), 28AWG (5m)
Cat5e/6 Wiring standard		T-568B
Operating voltage		5VDC
Power supply		1A@5VDC (1 adapter) (2.1mm plug)
ESD protection (human body model)		±8kV (air-gap discharge), ±4kV (contact discharge)
Current draw	Transmitter	550mA@5VDC
	Receiver	450mA@5VDC
Operating temperature		32°~104° F (0°~40° C)
Operating humidity		20~90% RH (no condensation)
Dimensions		3 1/8" x 1 1/8" x 1" (81x49x25 mm)
Weight		5.3-oz (150g) (each)

Parts List:

- | | |
|--------------------------------|--|
| 1x Transmitter (MVE-AH010Q-TQ) | 1x Manual |
| 1x Receiver (MVE-AH010Q-RQ) | 1x IR Transmitter (w/ double sided tape) |
| 1x 5VDC Power adapter | 1x IR Receiver (w/ double sided tape) |

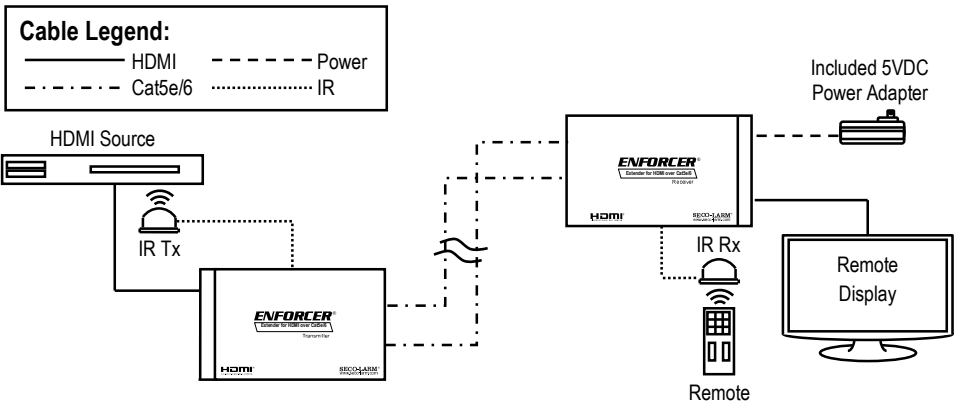
Overview:



Installation:

1. Determine the locations where the HDMI to Cat5e/6 units will be placed as well as how much Cat5e/6 cable will be necessary.
2. Connect the HDMI to cable to both the transmitter and source device.
3. Connect the HDMI cable to both the receiver and display.
4. Connect the Cat5e/6 cables to both the receiver and transmitter units. Make sure to connect the cables to their respective ports, i.e. Cat5e/6-1 connected to Cat5e/6-1, and Cat5e/6-2 connected to Cat5e/6-2.
Note: For best results, use Cat6 cable.
Note: For best results, use solid core cable. Stranded core cable is not recommended.
5. Connect the 5VDC adapter to the receiver unit.
6. Switch on the HDMI source device and display to verify that the system is functioning properly.
7. Install the IR transmitter to the IR-TX port, pointing the IR transmitter at the device to be controlled. Install the IR receiver to the IR-RX port of the other device, pointing the IR receiver to where the remote control will be. Point the remote control at the IR receiver when in use.

Sample Application:



Troubleshooting:

HDMI Device does not function correctly

- Reduce the resolution of the source device
- Turn off deep color
- Use T568B wiring standard
- Make sure the Cat5e/6 cables are connected to the correct ports, and not to opposite ports
- Use solid core cable instead of stranded core cable
- Make sure the HDMI input device is turned on
- Make sure the HDMI output device is turned on
- Test the Cat5e/6 cable between the receiver and transmitter to make sure it is operational

Also Available from SECO-LARM®:

ENHANCED Extenders
for HDMI



Wireless Extender for HDMI



HDMI Matrix



HDMI Switch



HDMI Splitter



High-Speed HDMI Cables



HDMI, the HDMI Logo and High-Definition Multimedia Interface are trademarks or registered trademarks of HDMI Licensing LLC in the United States and other countries.

WARRANTY: This SECO-LARM product is warranted against defects in material and workmanship while used in normal service for a period of one (1) year from the date of sale to the original consumer customer. SECO-LARM's obligation is limited to the repair or replacement of any defective part if the unit is returned, transportation prepaid, to SECO-LARM. This Warranty is void if damage is caused by or attributed to acts of God, physical or electrical misuse or abuse, neglect, repair or alteration, improper or abnormal usage, or faulty installation, or if for any other reason SECO-LARM determines that such equipment is not operating properly as a result of causes other than defects in material and workmanship. The sole obligation of SECO-LARM and the purchaser's exclusive remedy, shall be limited to the replacement or repair only, at SECO-LARM's option. In no event shall SECO-LARM be liable for any special, collateral, incidental, or consequential personal or property damage of any kind to the purchaser or anyone else.

NOTICE: The information and specifications printed in this manual are current at the time of publication. However, the SECO-LARM policy is one of continual development and improvement. For this reason, SECO-LARM reserves the right to change specifications without notice. SECO-LARM is also not responsible for misprints or typographical errors. Copyright © 2016 SECO-LARM U.S.A., Inc. All rights reserved. This material may not be reproduced or copied, in whole or in part, without the written permission of SECO-LARM.

SECO-LARM® U.S.A., Inc.

16842 Millikan Avenue, Irvine, CA 92606

Tel: (949) 261-2999 | (800) 662-0800

Website: www.seco-larm.com

Email: sales@seco-larm.com

 PICHN3

MI_MVE-AH010Q_151222.docx