

# ENFORCER®

## 4K HDMI® Switchers

### Manual



MVS-AH31-01NQ

MVS-AH51-01NQ

MVS-AH31-01NQ	4K 3x1 HDMI Switcher
MVS-AH51-01NQ	4K 5x1 HDMI Switcher

**HDMI®**  
HIGH-DEFINITION MULTIMEDIA INTERFACE



- Add up to five HDMI inputs to almost any high-definition TV or HDMI display
- Supports up to 4K/2K resolution and 3D video
- Individual status LEDs for each HDMI input

- Switch will automatically select the active input for added convenience
- Includes remote control for switching between inputs

HDMI, the HDMI Logo and High-Definition Multimedia Interface are trademarks or registered trademarks of HDMI Licensing LLC in the United States and other countries.

**SECO-LARM® SLI**

**FC CE RoHS**

## Introduction:

The ENFORCER 4K HDMI Switchers allow easy switching between multiple HDMI sources. The switchers work with most HDMI devices, delivering the very best in digital audio and video signals with HD resolutions of up to 4K/2K. An included remote control easily switches between HDMI sources. LED Indicators clearly display the HDMI source being used. The switcher will automatically select the active input for added convenience. The 4K HDMI Switchers can be daisy chained up to four levels for even more inputs.

## Specifications:

Model	MVS-AH31-01NQ	MVS-AH51-01NQ
Type	HDMI Switcher	
Input video signal	3.3V	
Input DDC signal	5Vp-p (TTL)	
Maximum single link range	4K*2K@30hz	
Deep color	48bit	
Video formats supported	High-speed HDMI, HDCP 1.4	
Audio formats supported	LPCM, Dolby-AC3, DTS7.1, DSD	
Output video	HDMI	
Resolutions supported	4K/1080p/1080i/720p/576p/576i/480p/480i	
Video amplifier bandwidth	10.2Gbps	
Video input connector	3x HDMI Type A 19-pin female	5x HDMI Type A 19-pin female
Max. input cable length	24AWG (15m), 26AWG (10m), 28AWG (5m)	
Video output connector	1x HDMI Type A 19-pin female	
Max. output cable length	24AWG (15m), 26AWG (10m), 28AWG (5m)	
IR pass-through	38kHz	
Operating voltage	5VDC	
Power supply	USB Power	
ESD protection	±8kV (air-gap discharge), ±4kV (contact discharge)	
Current draw	150mA@5VDC	250mA@5VDC
Operating temperature	32°~104° F (0°~40° C)	
Operating humidity	20~90% RH (no condensation)	
Dimensions	3 <sup>7</sup> / <sub>16</sub> "x2 <sup>3</sup> / <sub>8</sub> "x3 <sup>1</sup> / <sub>4</sub> " (87x60x19 mm)	
Weight	2.1-oz (60g)	

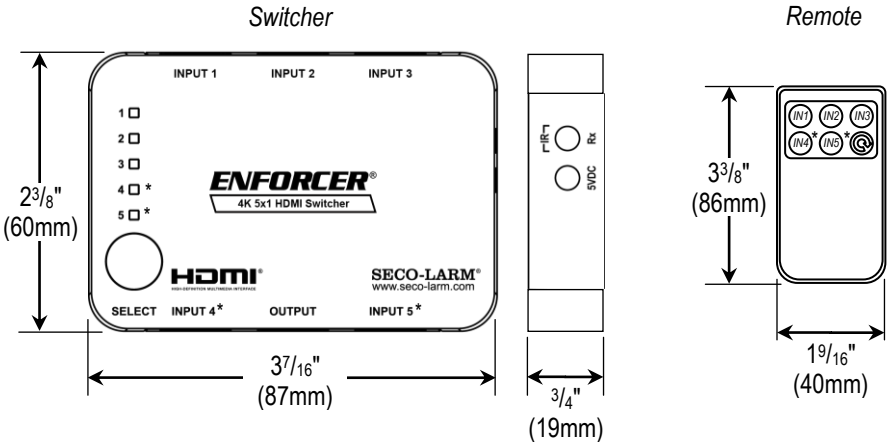
## Installation:

1. Determine the location where the HDMI Switcher will be installed in relation to the HDMI sources and HDMI display.
2. Plug the HDMI sources into the HDMI connector inputs on the front or back of the switcher.
3. Plug the HDMI display into the HDMI connector output on the front of the switcher.
4. Plug the USB power cable into the switcher and the other end into a powered USB port on the display or one of the sources.
5. Plug the IR receiver dongle into the IR receiver port and place in view of the HDMI display
6. Turn the power on the HDMI sources and display device. Using the included remote or selection button on the switcher, change the HDMI sources going to the HDMI display.

**Parts List:**

1x 4K HDMI Switcher	1x Remote control	1x Remote control battery
1x USB power cable	1x Manual	1x IR receiver

**Overview:**

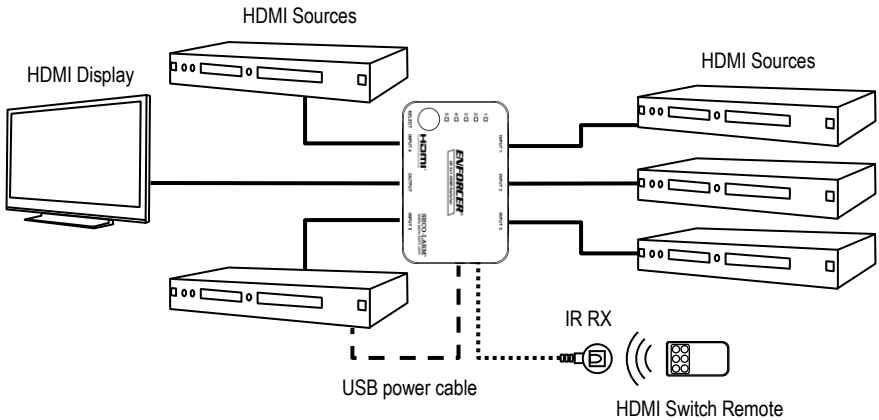


\* MVS-AH51-01NQ only

**Sample Application:**

**Cable Legend:**

- HDMI
- - - Power
- ..... IR



For maximum cable length, see Specifications.

**Troubleshooting:**

HDMI Device does not function correctly.

- Make sure the switcher is powered.
- Make sure the source(s) and display are powered.
- Make sure that there are no problems with the HDMI source, HDMI cables, or HDMI display by plugging a source directly into the display using the HDMI cables.
- Make sure that the source(s) and display are plugged in to the correct connectors.
- Make sure the HDMI source(s) are compatible with the HDMI display.

**Also Available from SECO-LARM®:**

4K HDMI Splitters



MVD-AH14-01Q shown

<b>MVD-AH12-01Q</b>	2 HDMI outputs
<b>MVD-AH14-01Q</b>	4 HDMI outputs
<b>MVD-AH18-01Q</b>	8 HDMI outputs

- Supports 3D video
- Supports 4K resolution
- EDID management settings

High-Speed HDMI Cables

<b>MC-1102-18NQ</b>	1.5ft (0.5m), 28AWG
<b>MC-1102-03FQ</b>	3ft (1m), 28AWG
<b>MC-1102-06FQ</b>	6m (1.83m), 28AWG
<b>MC-1102-10FQ</b>	10ft (3m), 28AWG
<b>MC-1102-16FQ</b>	16ft (5m), 28AWG
<b>MC-1102-20FQ</b>	20ft (6m), 26AWG
<b>MC-1102-25FQ</b>	25ft (7.6m), 26AWG
<b>MC-1102-30FQ</b>	30ft (9m), 26AWG
<b>MC-1102-50FQ</b>	50ft (15m), 26AWG



- Supports 3D video
- Supports 4K resolution
- Supports Ethernet
- Lifetime warranty

HDMI, the HDMI Logo and High-Definition Multimedia Interface are trademarks or registered trademarks of HDMI Licensing LLC in the United States and other countries.

**WARRANTY:** This SECO-LARM product is warranted against defects in material and workmanship while used in normal service for the one (1) year from the date of sale to the original customer. SECO-LARM's obligation is limited to the repair or replacement of any defective part if the unit is returned, transportation prepaid, to SECO-LARM. This Warranty is void if damage is caused by or attributed to acts of God, physical or electrical misuse or abuse, neglect, repair or alteration, improper or abnormal usage, or faulty installation, or if for any other reason SECO-LARM determines that such equipment is not operating properly as a result of causes other than defects in material and workmanship. The sole obligation of SECO-LARM and the purchaser's exclusive remedy shall be limited to the replacement or repair only, at SECO-LARM's option. In no event shall SECO-LARM be liable for any special, collateral, incidental, or consequential personal or property damage of any kind to the purchaser or anyone else.

**NOTICE:** The information and specifications printed in this manual are current at the time of publication. However, the SECO-LARM policy is one of continual development and improvement. For this reason, SECO-LARM reserves the right to change specifications without notice. SECO-LARM is also not responsible for misprints or typographical errors.

Copyright © 2016 SECO-LARM U.S.A., Inc. All rights reserved. This material may not be reproduced or copied, in whole or in part, without the written permission of SECO-LARM.

**SECO-LARM® U.S.A., Inc.**

16842 Millikan Avenue, Irvine, CA 92606

Tel: (949) 261-2999 | (800) 662-0800

Website: [www.seco-larm.com](http://www.seco-larm.com)

Email: [sales@seco-larm.com](mailto:sales@seco-larm.com)



ML\_MVS-AHx1-01NQ\_160226.docx