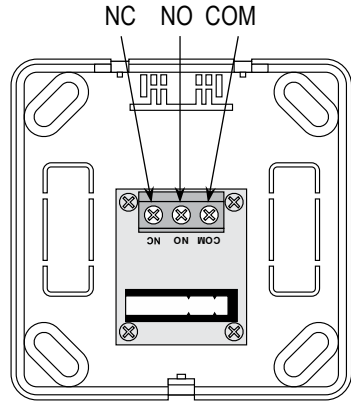


Mini Square Rocker Switch Manual



PB-2811-WWQ Installation Instructions:

1. To access the wiring terminals, pry off the front rocker plate from the side using a thin flat tool (see Fig. 1).
2. For *concealed wiring*, punch out one or more of the square slotted holes (see Fig. 2).
3. For *exposed wiring*, punch out semi-circular slot at the top of the cover (see Fig. 3).

Fig. 1

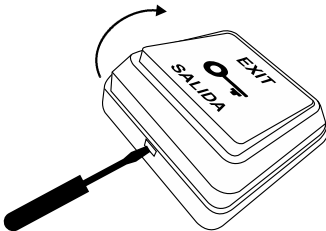


Fig. 2

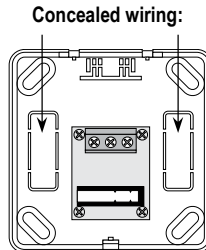
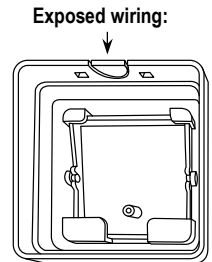
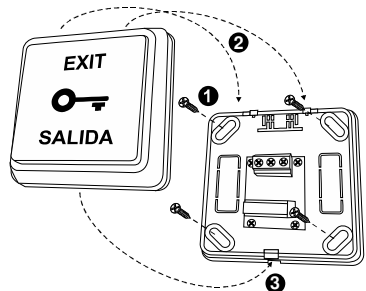


Fig. 3



4. Thread the wires through the prepared slots and install the wires to the switch terminal according to the wiring diagram.
5. Punch out the screw holes and attach the back plate to the wall with 4 screws (screws not included, see Fig. 4, step 1).
6. Insert the two slots on the top of the rocker/housing cover over the tabs on the back plate (see Fig. 4, step 2) and then snapping it onto the tab at the bottom of the back plate (see Fig. 4, step 3).

Fig. 4



WARRANTY: This SECO-LARM product is warranted against defects in material and workmanship while used in normal service for one (1) year from the date of sale to the original customer.

NOTICE: The SECO-LARM policy is one of continual development and improvement. For that reason, SECO-LARM reserves the right to change specifications without notice. SECO-LARM is also not responsible for misprints. All trademarks are the property of SECO-LARM U.S.A., Inc. or their respective owners. Copyright © 2019 SECO-LARM U.S.A., Inc. All rights reserved.

SECO-LARM® U.S.A., Inc.

16842 Millikan Avenue, Irvine, CA 92606
Phone: (949) 261-2999 | (800) 662-0800

Website: www.seco-larm.com
Email: sales@seco-larm.com

ENFORCER Mini Square Rocker Switch

Overview:



PB-2618-GQ

- Green metal mushroom button
- Surface-mount with backbox
- N.O. Contact rated 3A@36VDC
- 2¹/₁₆"x2¹/₁₆"x1³/₈" (53x53x35 mm)



PB-2318-SQ

- Vandal-resistant metal button
- Flush-mount with backbox
- NO/NC Contact rated 1A@24VDC
- 2¹/₁₆"x2¹/₁₆"x1⁹/₁₆" (53x53x39 mm)
- Pushbutton component is UL Recognized



PB-5115-GQ

- Green metal mushroom button
- Flush-mount mini RTE plate
- N.O. Contact rated 3A@36VDC
- 3⁹/₁₆"x1¹/₈"x1¹/₄" (91x28x32 mm)



PB-5348-SQ

- Illuminated metal button
- Flush-mount with backbox
- NO/NC Contact rated 1A@24VDC
- 3³/₁₆"x1¹/₄"x1¹⁵/₁₆" (81x32x50 mm)



PB-5118-GQ

- Green metal mushroom button
- Flush-mount with backbox
- N.O. Contact rated 3A@36VDC
- 3³/₁₆"x1¹/₄"x1¹/₄" (81x32x32 mm)



PB-5318-SQ

- Vandal-resistant metal button
- Flush-mount with backbox
- NO/NC Contact rated 1A@24VDC
- 3¹/₁₆"x1⁵/₁₆"x1⁹/₁₆" (88x34x39 mm)
- Pushbutton component is UL Recognized



PB-5811-WWQ

- Slim-line rocker switch
- Surface-mount with backbox
- NO/NC Contact rated 3A@36VDC
- 3³/₈"x1¹¹/₁₆"x2⁷/₈" (86x43x23 mm)
- UL Recognized microswitch



PB-1311-WWQ

- Large square rocker switch
- Flush-mount
- NO/NC Contact rated 1A@24VDC
- 3³/₁₆"x3³/₈"x1⁷/₁₆" (86x86x36 mm)



PB-2811-WWQ

- Mini square rocker switch
- Surface-mount with backbox
- NO/NC Contact rated 3A@36VDC
- 2¹¹/₁₆"x2¹¹/₁₆"x1³/₈" (69x69x35 mm)



PB-1811-WWQ

- Large square rocker switch
- Surface-mount with backbox
- NO/NC Contact rated 3A@36VDC
- 3¹/₁₆"x3⁷/₁₆"x1⁵/₁₆" (88x88x33 mm)