

SECO-LARM®

SD-211-BD1Q

Electro-Mechanical RIM Lock

Manual



Features:

- 12VDC, Fail-secure operation with manual override
- Fully mechanical – can be unlocked if power is lost
- Unlocks from outside with included keys
- Easy to install on existing gates/doors
- Compatible with access control devices
- Can be installed on left, right, in-swing, and out-swing gates/doors
- 2,250-lb (1,020kg) Static strength

SECO-LARM Electro-Mechanical RIM Lock

Introduction:

The SD-211-BD1Q Electro-Mechanical RIM Lock is designed for pedestrian gates or doors and can be triggered by an access control system, by key from outside, or by manually pushing the button from inside. It can be mounted on both in-swing and out-swing doors, and is non-handed.

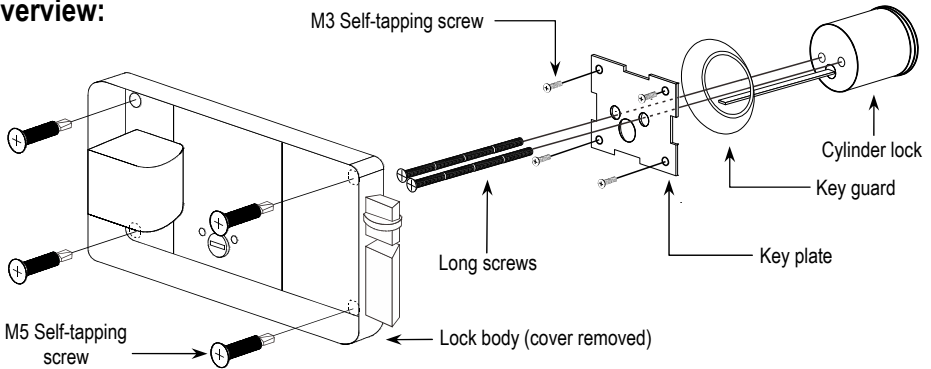
Parts List:

1x Lock body	1x Strike body	1x Key plate
1x Key guard	1x Cylinder lock	3x Keys
11x M5 Self-tapping screws	4x M3 Self-tapping screws	2x Long screws
2x Lock body cover screws	1x Mounting template	1x Manual

Specifications:

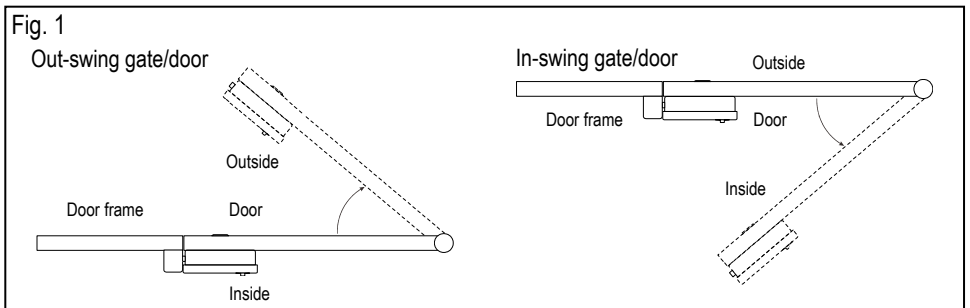
Operating voltage		12VDC
Current draw	Standby	0A@12VDC
	Active	3A@12VDC Maximum
Static strength		2,250-lb (1,020kg)
Endurance		500,000 cycles (factory tested)
Operating temperature		-40°~122° F (-40°~50° C)
Dimensions	Lock Body	5 ¹ / ₈ "x3 ¹⁵ / ₁₆ "x1 ¹¹ / ₁₆ " (130x100x43 mm)
	Strike Body	1 ⁷ / ₁₆ "x3 ¹⁵ / ₁₆ "x1 ⁵ / ₈ " (36x100x41 mm)

Overview:



Sample Installation:

NOTE: Rotate the latch to adjust between in-swing and out-swing gates/doors. See pg. 4 for more detailed instructions.



Installation:

1. Determine the best mounting location for the strike body and lock body. The recommended distance between the strike body and the lock body is $\frac{3}{16}$ " (5mm) (see Fig. 2).
2. Place the included template on the closed gate/door and the frame. Drill four $\frac{1}{8}$ " (3mm) holes for mounting the lock body, four $\frac{1}{8}$ " (3mm) holes for mounting the strike body, a $\frac{1}{4}$ " (32mm) hole for the cylinder lock, and a hole to run the wires through. There is a second, optional hole in the back of the lock body which the wires can be passed through.

NOTE: Template/lock's orientation varies depending on the handedness of the door/gate.

3. Install the key plate to the gate/door or frame with four M3 self-tapping screws (see Fig. 3).
4. Assemble the cylinder lock from the opposite side of the door so that the cylinder lock's flat pin can be inserted into the lock body.

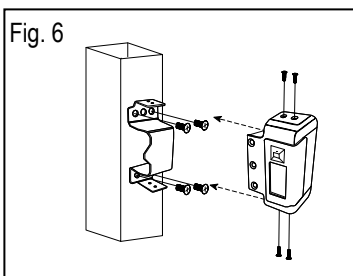
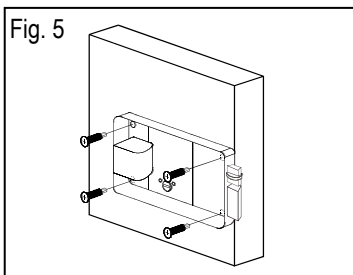
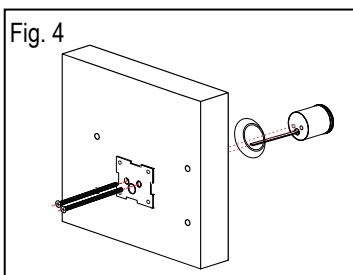
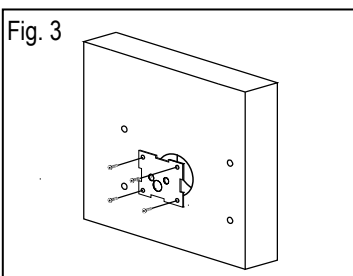
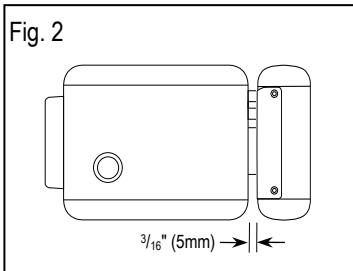
NOTE: The cylinder lock's flat pin and long screws (used to secure the cylinder lock as noted below) should be cut to the appropriate length before they are installed.

5. Secure the cylinder lock in place with the two long screws (see Fig. 4).
6. Remove the cover of the lock body by unscrewing the two screws on the latch side of the lock body.
7. Using four M5 self-tapping screws, mount the lock body (see Fig. 5).
8. Unscrew and remove the cover of the strike body.
9. Using four M5 self-tapping screws, mount the strike body to the door/gate or frame and reattach the strike body's cover (see Fig. 6).

NOTE: The strike's faceplate has three screw holes that can be used for added stability.

10. Connect the wires (non-polarized) to an access control system.
11. Test the lock to ensure it is working properly.
12. Reattach the lock body's cover.

NOTE: Copy keys as necessary and save one as the master key. Replacement keys are not available.

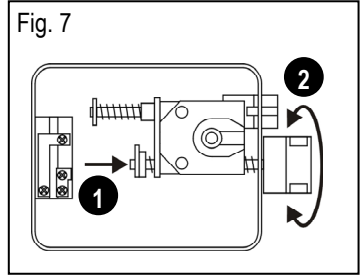


SECO-LARM Electro-Mechanical RIM Lock

Installation Note:

To adjust between in-swing and out-swing gates/doors:

1. Remove the lock body cover by removing the two small screws on the latch side of the lock body.
2. Press on the pin (1) until the latch protrudes from the lock body, rotate it (2) into the proper position, and then release the pressure on the pin so that the latch retracts into place (see Fig. 7).



Troubleshooting:

Does not lock

- Make sure the lock is engaging the strike body
- Make sure the mechanism is moving freely
- Lubricate moving parts with graphite lubricant

Does not unlock

- Make sure the lock is engaging the strike body
- Check to see if the lock is receiving the correct input voltage
- Make sure the power supply has sufficient current to operate the lock

Also Available from SECO-LARM®:

Electro-Mechanical Latch



SD-231-ND1Q

Electromagnetic Gate Lock



E-942FC-1300

Heavy-Duty Outdoor Stand-Alone Keypad



SK-3523-SDQ

No-Cut Electric Door Strike



SD-993C-D3Q

IMPORTANT: Users and installers of this product are responsible for ensuring this product complies with all national, state, and local laws and statutes related to monitoring and recording audio and video signals. SECO-LARM will not be held responsible for the use of this product in violation of any current laws or statutes.

WARRANTY: This SECO-LARM product is warranted against defects in material and workmanship while used in normal service for one (1) year from the date of sale to the original customer. SECO-LARM's obligation is limited to the repair or replacement of any defective part if the unit is returned, transportation prepaid, to SECO-LARM. This Warranty is void if damage is caused by or attributed to acts of God, physical or electrical misuse or abuse, neglect, repair or alteration, improper or abnormal usage, or faulty installation, or if for any other reason SECO-LARM determines that such equipment is not operating properly as a result of causes other than defects in material and workmanship. The sole obligation of SECO-LARM and the purchaser's exclusive remedy, shall be limited to the replacement or repair only, at SECO-LARM's option. In no event shall SECO-LARM be liable for any special, collateral, incidental, or consequential personal or property damage of any kind to the purchaser or anyone else.

NOTICE: The SECO-LARM policy is one of continual development and improvement. For that reason, SECO-LARM reserves the right to change specifications without notice. SECO-LARM is also not responsible for misprints. All trademarks are the property of SECO-LARM U.S.A., Inc. or their respective owners. Copyright © 2017 SECO-LARM U.S.A., Inc. All rights reserved.

SECO-LARM® U.S.A., Inc.

16842 Millikan Avenue, Irvine, CA 92606
Phone: (949) 261-2999 | (800) 662-0800

Website: www.seco-larm.com
Email: sales@seco-larm.com

 PICHNS

ML_SD-211-BD1Q_170804.docx