

# **ENFORCER®**

## **SD-7098-SKDQ**

### **Elbow RTE Push Plate**

### **Manual**



#### **Features:**

- Oversized plate for increased visibility and ease of use even when hands are not free
- Low-profile design – only 7/8" (22mm) thick
- Dual-colored LED Indicates status (red – standby, green – triggered)
- Outputs rated 1A@30VDC, 0.5A@125VAC
- Operating life: Over 100,000 cycles (factory tested)
- Operating voltage – 12/24VDC
- 2 Faceplates included
- Momentary SPDT switch
- Flexible mounting (surface, single-gang back box, or European back box) allows for quick and easy installation
- Use with SECO-LARM maglocks for an easily installed, high-security system

# ENFORCER Elbow RTE Push Plate

## Introduction:

The ENFORCER Elbow RTE Push Plate is designed for easy, accessible entry and exit through public area doors. The Elbow RTE Push Plate features a large button for easy, hands-free operation, a red and green LED status indicator, and two stainless steel faceplates. With an expected operating life of over 100,000 cycles and flexible mounting options, the ENFORCER Elbow RTE Push Plate is the perfect solution for reliable, secure, and accessible entry and exit for schools, hospitals, nursing homes, apartments, and other high-density public spaces.

## Parts List:

1x Push Plate

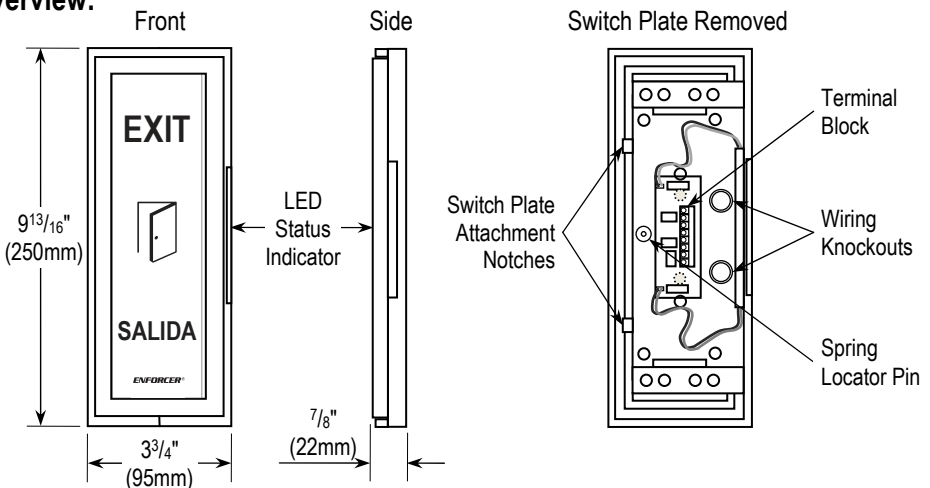
2x Faceplates

1x Manual

## Specifications:

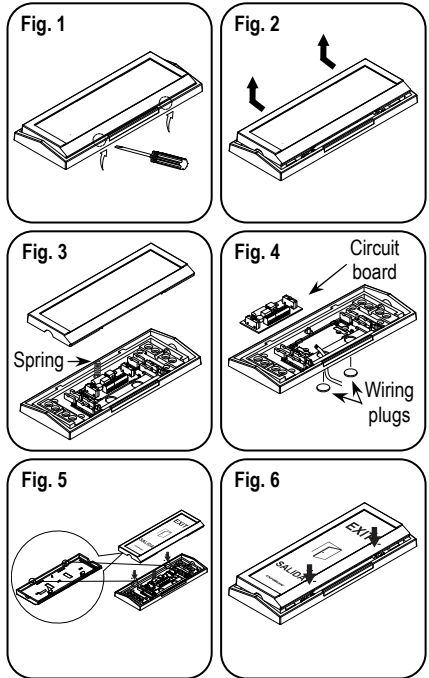
Operating voltage		12/24VDC
Current draw	Standby	24mA@12VDC, 25mA@24VDC
	Active	45mA@12VDC, 47mA@24VDC
Contact rating	Output 1	1A@30VDC, 0.5A@125VAC
	Output 2	1A@30VDC, 0.5A@125VAC
Switch type		Momentary NO/NC/COM (SPDT)
Contact resistance		50mΩ Max.(initial)
LED Status indicator		Dual-colored LED (red – standby, green – triggered)
Operating life		100,000 Cycles (factory tested)
Material	Faceplate	ABS Plastic with stainless steel insert
	Switch box	ABS Plastic
Dimensions		9 <sup>13</sup> / <sub>16</sub> "x3 <sup>3</sup> / <sub>4</sub> "x7 <sup>7</sup> / <sub>8</sub> " (250x95x22 mm)
Operating humidity		0~95% Non-condensing
Operating temperature		14°~113° F (-10°~45° C)
Weight		10.2-oz (289g)

## Overview:

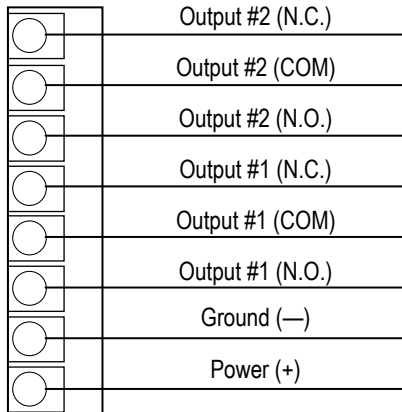


**Installation:**

1. Determine a suitable location for the Push Plate.
2. Run wires through the wall to the desired location.
3. Insert a small screwdriver into the notches in the switch plate (Fig. 1) and gently pry the switch plate upwards until this edge pops free.
4. Slide the switch plate to the left until it is free of two notches under the plate and lift it off (Fig. 2) taking care not to lose the spring under it (Fig. 3).
5. Punch out the wiring plugs from the base (Fig. 4).
6. For mounting to a back box, use a small screwdriver to remove the circuit board from the base to expose the screw mount holes (Fig. 4, also "Overview," pg. 2). Additional holes are provided for direct wall mounting.
7. Thread the wires through the wiring holes and secure the base to the back box or wall. Replace the circuit board if necessary and connect the wires to the terminal block according to the wiring diagram (see "Wiring Diagram" below).
8. Slide applicable faceplate, side with tabs first, fully into the switch plate.
9. Place the spring over the spring locator pin on the base (see "Overview," pg. 2) and use a small piece of tape to hold it in place. Place the switch plate over the base so that the tabs on the plate align with the notches on the base and ensure that they are properly engaged (Fig. 5). Press down on the right side until it clicks into place (Fig 6).

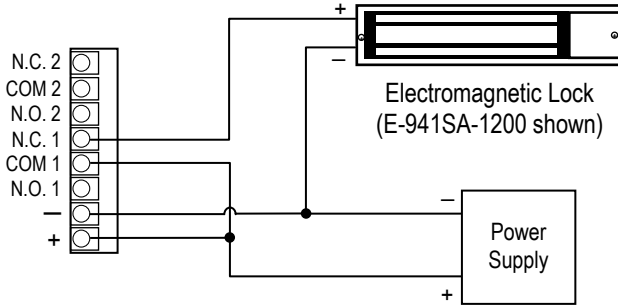


**Wiring Diagram:**



# ENFORCER Elbow RTE Push Plate

## Sample Application:



## Also Available from SECO-LARM®:

### Electric Door Strikes



SD-995C shown

### Wireless RTE Plates



SD-8202GT-PEQ  
shown

### RF Remote Control



SK- 910RBQ /  
SK-919TP4J-NUQ  
shown

**WARRANTY:** This SECO-LARM product is warranted against defects in material and workmanship while used in normal service for one (1) year from the date of sale to the original customer. SECO-LARM's obligation is limited to the repair or replacement of any defective part if the unit is returned, transportation prepaid, to SECO-LARM. This Warranty is void if damage is caused by or attributed to acts of God, physical or electrical misuse or abuse, neglect, repair or alteration, improper or abnormal usage, or faulty installation, or if for any other reason SECO-LARM determines that such equipment is not operating properly as a result of causes other than defects in material and workmanship. The sole obligation of SECO-LARM and the purchaser's exclusive remedy, shall be limited to the replacement or repair only, at SECO-LARM's option. In no event shall SECO-LARM be liable for any special, collateral, incidental, or consequential personal or property damage of any kind to the purchaser or anyone else.

**NOTICE:** The SECO-LARM policy is one of continual development and improvement. For that reason, SECO-LARM reserves the right to change specifications without notice. SECO-LARM is also not responsible for misprints. All trademarks are the property of SECO-LARM U.S.A., Inc. or their respective owners. Copyright © 2018 SECO-LARM U.S.A., Inc. All rights reserved.

## SECO-LARM® U.S.A., Inc.

16842 Millikan Avenue, Irvine, CA 92606  
Phone: (949) 261-2999 | (800) 662-0800

Website: [www.seco-larm.com](http://www.seco-larm.com)  
Email: [sales@seco-larm.com](mailto:sales@seco-larm.com)



MI\_SD-7098-SKDQ\_180111.docx