

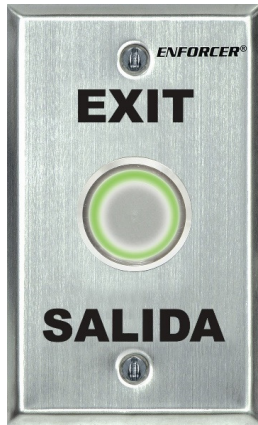
ENFORCER®

Dual-Color Vandal-Resistant RTE Plates with Buzzer and Timer

Manual



SD-7157-SSTQ



SD-7257-SSTQ



SD-7357-SSTQ

SD-7157-SSTQ	Brushed stainless slimline faceplate with English and Spanish
SD-7257-SSTQ	Brushed stainless single-gang faceplate with English and Spanish
SD-7357-SSTQ	Brushed stainless European faceplate with English*

Features:

- 12~24 VDC Operation
- 3 Operating modes: Timed (0.5-60 s), toggle, and momentary
- Pushbutton can still operate as a momentary mechanical switch when power is lost
- Reminder function, LED flashes and buzzer sounds for last 4 seconds of timed output
- Buzzer volume: 80dB max., adjustable
- "EXIT" and "SALIDA" silk-screened on plate*
- Vandal-resistant, $\varnothing 1\frac{3}{16}$ " ($\varnothing 30$ mm) dual-color, illuminated pushbutton
- LED colors: Red on standby, green on activation
- IP65 Weatherproof when properly installed

*European faceplate version is English only

ENFORCER Dual-Color Vandal-Resistant RTE Plates with Buzzer and Timer

Introduction:

The ENFORCER Dual-Color Vandal-Resistant Request-to-Exit Plates with Buzzer and Timer use a stainless steel vandal resistant button, are illuminated by a circular perimeter LED, and include built-in adjustable buzzer and timer. Weatherproof when properly installed.

Parts List:

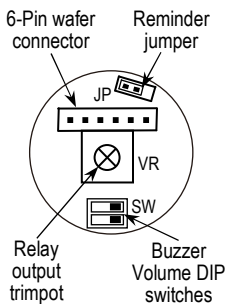
1x RTE button with faceplate 2x Mounting screws 1x 6-Pin wafer connector 1x Manual

Specifications:

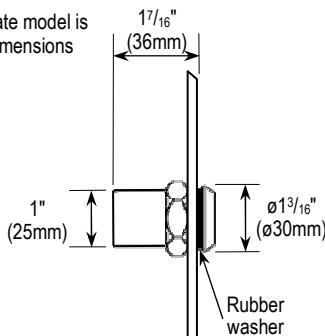
Model		SD-7157-SSTQ	SD-7257-SSTQ	SD-7357-SSTQ
Faceplate		Slimline	Single-gang	European plate
Button		Vandal-resistant with dual-color circular perimeter LED		
LED Color	Standby	Red		
	Active	Green		
Operating voltage		12~24 VDC		
Current draw	Standby	15mA@12VDC		
	Active	50mA@12VDC max. (buzzer ON)		
Contact rating		2A@24VAC		
Electrical configuration		NO/NC		
Buzzer volume		80dB@3ft max., adjustable: off / low / med. / high (default)		
Connector type		6-Pin wafer		
Relay output trimpot	Full left	Momentary (default)		
	Middle	Timer setting, 0.5~60 s, adjustable		
	Full right	Toggle		
Reminder jumper	ON	LED will flash and buzzer will sound 4 seconds before output stops (default)		
	OFF	Green LED and buzzer will sound during activation		
IP Rating		IP65 Weatherproof, when properly installed		
Operating temperature		32°~167° F (0°~75° C)		
Operating humidity		85% RH max.		
Dimensions		1 1/2"x4 1/2"x1 7/16" (38x114x36 mm)	2 3/4"x4 1/2"x1 7/16" (70x114x36 mm)	3 3/8"x3 3/8"x1 7/16" (86x86x36 mm)
Weight		2.4-oz (68g)	3.4-oz (98g)	3.3-oz (93g)

Overview:

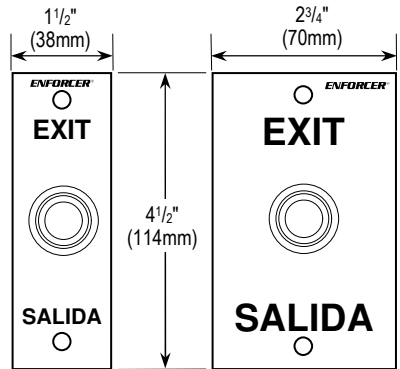
SD-7357-SSTQ European plate model is similar except for faceplate dimensions



Back of switch



Switch body



Slimline plate

Single-gang plate

ENFORCER Dual-Color Vandal-Resistant RTE Plates with Buzzer and Timer

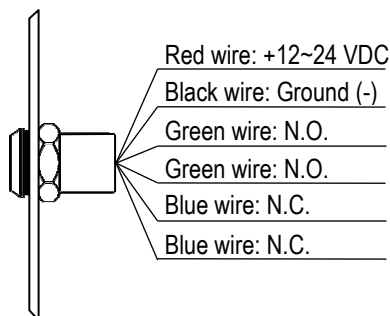
Basic Installation:

1. Run wires through the wall to the back box.
2. Connect the wires from the back box to the switch plate according to the wiring diagram, right.
3. Screw the plate into the back box with the included screws, taking care not to crimp the wires.

WARNING: Do not connect any device that will exceed 2A@24VAC

WARNING: For a weather-resistant installation, ensure that the unit is installed in a waterproof back box, and apply a bead of silicone between the faceplate and back box and around the faceplate screws. Incorrect mounting may lead to exposure to rain or moisture inside which could cause a dangerous electric shock, damage the device, and void the warranty. Users and installers are responsible for ensuring that this product is properly installed and sealed.

Wiring Diagram:



Adjusting the Buzzer Volume:

1. Buzzer off:
 - DIP switch 1 OFF
 - DIP switch 2 OFF
2. Low:
 - DIP switch 1 OFF
 - DIP switch 2 ON
3. Medium:
 - DIP switch 1 ON
 - DIP switch 2 OFF
4. High (default):
 - DIP switch 1 ON
 - DIP switch 2 ON

Jumper Settings:

1. ON (default):
 - Four seconds before the output stops, the buzzer will sound and the LED will flash 6 times
2. OFF:
 - The green LED will light and buzzer will sound during activation

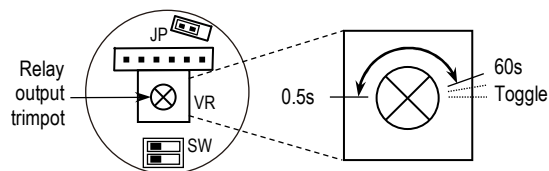
NOTE: Relay output time must be greater than 4 seconds.

Adjusting the Relay Output Time:

The relay output time can be adjusted from momentary (default), to 0.5~60 s, to toggle.

1. Turn the trimpot all the way counterclockwise for momentary.
2. Turn the trimpot left or right to adjust the output time from 0.5~60s, as shown below.
3. Turn the trimpot all the way clockwise for toggle.

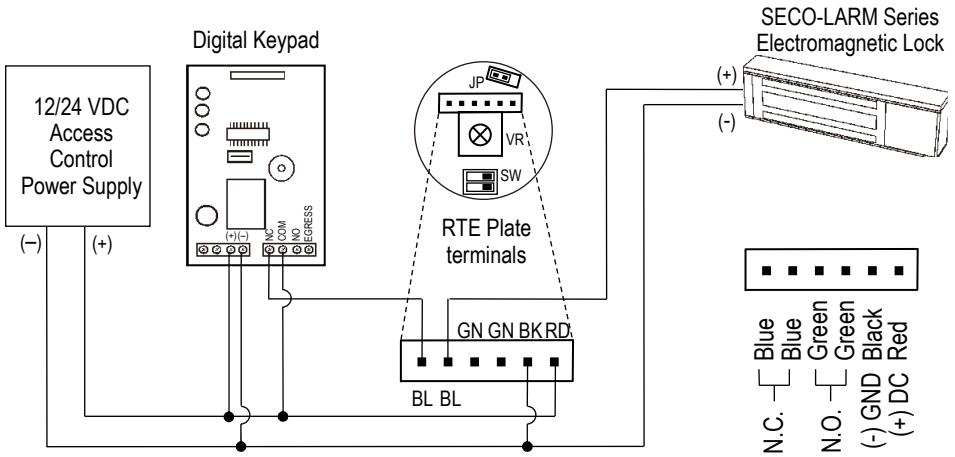
NOTE: Do not force the adjustment trimpot to turn. Only minimal force is needed.



ENFORCER Dual-Color Vandal-Resistant RTE Plates with Buzzer and Timer

Sample Installation:

Basic Installation with Fail-Safe Electromagnetic Lock and Keypad



IMPORTANT WARNING: For a weather-resistant installation, ensure that the unit is installed in a waterproof back box, and that the faceplate and faceplate screws are properly sealed. Incorrect mounting may lead to exposure to rain or moisture inside which could cause a dangerous electric shock, damage the device, and void the warranty. Users and installers are responsible for ensuring that this product is properly installed and sealed.

IMPORTANT: Users and installers of this product are responsible for ensuring that the installation and configuration of this product complies with all national, state, and local laws and codes. SECO-LARM will not be held responsible for the use of this product in violation of any current laws or codes.

California Proposition 65 Warning: These products may contain chemicals which are known to the State of California to cause cancer and birth defects or other reproductive harm. For more information, go to www.P65Warnings.ca.gov.

WARRANTY: This SECO-LARM product is warranted against defects in material and workmanship while used in normal service for one (1) year from the date of sale to the original customer. SECO-LARM's obligation is limited to the repair or replacement of any defective part if the unit is returned, transportation prepaid, to SECO-LARM. This Warranty is void if damage is caused by or attributed to acts of God, physical or electrical misuse or abuse, neglect, repair or alteration, improper or abnormal usage, or faulty installation, or if for any other reason SECO-LARM determines that such equipment is not operating properly as a result of causes other than defects in material and workmanship. The sole obligation of SECO-LARM and the purchaser's exclusive remedy, shall be limited to the replacement or repair only, at SECO-LARM's option. In no event shall SECO-LARM be liable for any special, collateral, incidental, or consequential personal or property damage of any kind to the purchaser or anyone else.

NOTICE: The SECO-LARM policy is one of continual development and improvement. For that reason, SECO-LARM reserves the right to change specifications without notice. SECO-LARM is also not responsible for misprints. All trademarks are the property of SECO-LARM U.S.A., Inc. or their respective owners. Copyright © 2022 SECO LARM U.S.A., Inc. All rights reserved.

SECO-LARM® U.S.A., Inc.

16842 Millikan Avenue, Irvine, CA 92606
Phone: (949) 261-2999 | (800) 662-0800

Website: www.seco-larm.com
Email: sales@seco-larm.com

 PITSW1
Order Part# 763-188-1%
MI_SD-7x57-SSTQ_220228.docx