

# ENFORCER®

## Request-to-Exit Plate with Pneumatic Timer

### Manual



**Pneumatic  
Timer**

**No  
Power  
Required**

#### Mushroom Cap Pushbutton

Green pushbutton SD-7113-GSP* SD-7213-GSP	Slimline Plate Single-gang Plate
Red pushbutton SD-7213-RSP	Single-gang Plate

#### Standard Button with Guard Ring

SD-7173-SSP* SD-7273-SSP*	Slimline Plate Single-gang Plate
------------------------------	-------------------------------------

\* Special order only

# ENFORCER Request-to-Exit Plate with Pneumatic Timer

## Introduction:

The ENFORCER SD-7xx3-xSP series Request-to-Exit Plates with Pneumatic Timer are ideal for applications where providing power to a timer is inconvenient, hazardous or not conforming with local codes and ordinances. Adjusting the time is easy via a timing screw and can be performed on the spot without tools.

## Features:

- Pneumatic timer has these special features:
  - Conforms to NFPA 101 Fire Codes for non-electrical breaking of contact.
  - Functions entirely without electricity.
  - Excellent for installations where supplying additional timer power is inconvenient.
  - Reliable American-made pneumatic components.
- Stainless steel single-gang or slimline plate.
- English "EXIT" and Spanish "SALIDA" printed on plate.
- Timer adjustable for 1~60 seconds.
- Green or red mushroom cap pushbutton.
  - (SD-7113-GSP / SD-7213-xSP)
- Standard button with guard ring.
  - (SD-7173-SSP / SD-7273-SSP)

## Parts List:

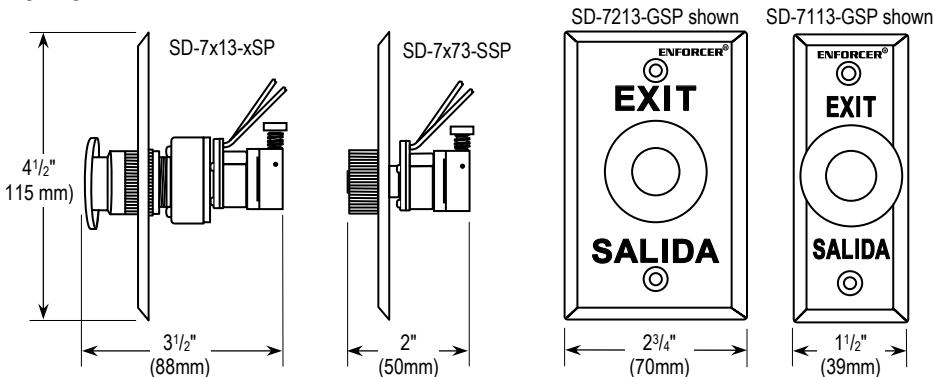
- |                          |                     |
|--------------------------|---------------------|
| 1x Request-to-exit plate | 2x Wallplate screws |
| 1x Manual                |                     |

## Specifications:

Model	SD-7213-GSP SD-7213-RSP	SD-7113-GSP	SD-7273-SSP	SD-7173-SSP
Wallplate	Single-gang	Slimline	Single-gang	Slimline
Button	Mushroom cap (GSP-green, RSP-red)		Standard with guard ring	
Timer	Pneumatic: 1~60 s*			
Switching capacity	5A@125VAC			
Wiring	Red	2x N.C. #18 AWG 9" (230mm) for fail-safe		
	White	2x N.O. #18 AWG 9" (230mm) for fail-secure		
Operating temperature	32°~131° F (0°~55° C)			
Dimensions	2 <sup>3</sup> / <sub>4</sub> "x4 <sup>1</sup> / <sub>2</sub> "x3 <sup>1</sup> / <sub>2</sub> " (70x115x88 mm)	1 <sup>1</sup> / <sub>2</sub> "x4 <sup>1</sup> / <sub>2</sub> "x3 <sup>1</sup> / <sub>2</sub> " (39x115x88 mm)	2 <sup>3</sup> / <sub>4</sub> "x4 <sup>1</sup> / <sub>2</sub> "x2" (70x115x50 mm)	1 <sup>1</sup> / <sub>2</sub> "x4 <sup>1</sup> / <sub>2</sub> "x2" (39x115x50 mm)

\*Note: Time is precise to within ±10% for constant temperature and may change according to environmental factors.

## Overview:



## Installation:

1. Find a suitable location for the pneumatic request-to-exit plate.
2. The pneumatic request-to-exit plate can be either surface mounted or flush mounted.
3. Wire the request-to-exit plate as described below under "Wiring."
4. Adjust the timer as described below under "Adjusting the Timer."
5. Test the function of the exit plate and timer, as well as the timer delay.
6. Mount the request-to-exit plate in a back box or other suitable housing.

## Wiring

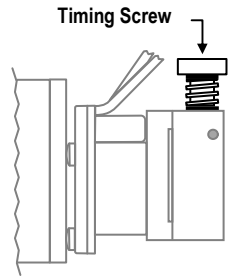
1. For N.C. operation (fail-safe), connect the red wires to the electronic lock or other device.
2. For N.O. operation (fail-secure), connect the white wires to the electronic lock or other device.

## Adjusting the Timer:

1. Locate the timing screw as shown in the figure to the right.
2. Gently rotate the timing screw to:
  - a. **Increase delay:** Tighten the screw clockwise
  - b. **Decrease delay:** Loosen the screw counterclockwise

**NOTE:** Do not over tighten or over loosen the timing screw. If the screw becomes very loose, retighten it until it feels secure.

3. The minimum delay time is approximately 1 second, and the maximum delay time is approximately 60 seconds. Use a stop watch to adjust the time to suit the application.

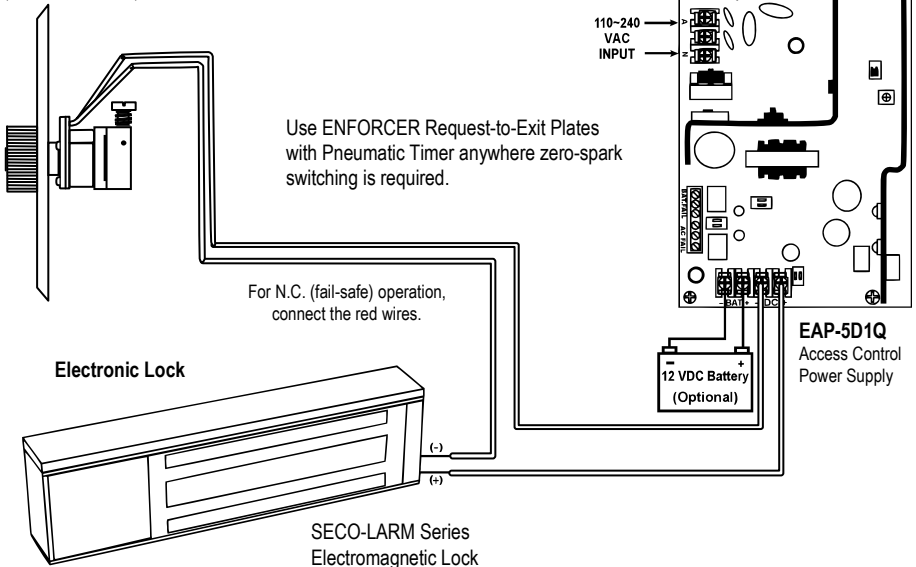


Timer Assembly

## Example Installation:

### RTE Plate w/ Pneumatic Timer

(SD-7173-SSP Shown)



# ENFORCER Request-to-Exit Plate with Pneumatic Timer

Also Available from **SECO-LARM®**:

<p>Maglocks</p>  <p>E-941SA-600 shown</p>	<p>Electric Door Strikes</p>  <p>SD-993C-D3Q shown</p>	<p>Wireless Exit Plates</p>  <p>SD-8202GT-PEQ shown</p>	<p>Brushed Stainless with Timer and LED</p>  <p>SD-7623-GSTQ</p>
<p>Electric Deadbolts</p> <p>Fail-safe or fail-secure available</p>  <p>SD-997B-GBQ shown</p>	<p>RF Remote Control</p> <p>Complete line of transmitters and receivers</p>  <p>SK- 910RBQ / SK-919TP4J-NUQ shown</p>	<p>Wireless Video Door Phone</p> <p>With lightweight portable monitor Additional monitors available (up to 3 total)</p>  <p>DP-236Q</p>	<p>Access Keypads</p> <p>Indoor and outdoor with and without proximity card reader</p>  <p>SK- 2323-SDQ / SK-1123-SDQ shown</p>

**IMPORTANT:** Users and installers of this product are responsible for ensuring this product complies with all national, state, and local laws and statutes related to monitoring and recording audio and video signals. SECO-LARM will not be held responsible for the use of this product in violation of any current laws or statutes.

**WARRANTY:** This SECO-LARM product is warranted against defects in material and workmanship while used in normal service for one (1) year from the date of sale to the original customer. SECO-LARM's obligation is limited to the repair or replacement of any defective part if the unit is returned, transportation prepaid, to SECO-LARM. This Warranty is void if damage is caused by or attributed to acts of God, physical or electrical misuse or abuse, neglect, repair or alteration, improper or abnormal usage, or faulty installation, or if for any other reason SECO-LARM determines that such equipment is not operating properly as a result of causes other than defects in material and workmanship. The sole obligation of SECO-LARM and the purchaser's exclusive remedy, shall be limited to the replacement or repair only, at SECO-LARM's option. In no event shall SECO-LARM be liable for any special, collateral, incidental, or consequential personal or property damage of any kind to the purchaser or anyone else.

**NOTICE:** The SECO-LARM policy is one of continual development and improvement. For that reason, SECO-LARM reserves the right to change specifications without notice. SECO-LARM is also not responsible for misprints. All trademarks are the property of SECO-LARM U.S.A., Inc. or their respective owners. Copyright © 2017 SECO-LARM U.S.A., Inc. All rights reserved.

## SECO-LARM® U.S.A., Inc.

16842 Millikan Avenue, Irvine, CA 92606  
Phone: (949) 261-2999 | (800) 662-0800

Website: [www.seco-larm.com](http://www.seco-larm.com)  
Email: [sales@seco-larm.com](mailto:sales@seco-larm.com)

 PITSW1  
Order Part# 763-172-3%  
MI\_SD-7xx3-xSP\_170804.docx