

ENFORCER®

SD-9773-KNEVQ

Surface-Mount Wave-to-Open Sensor with Manual Override Button

Manual



Features:

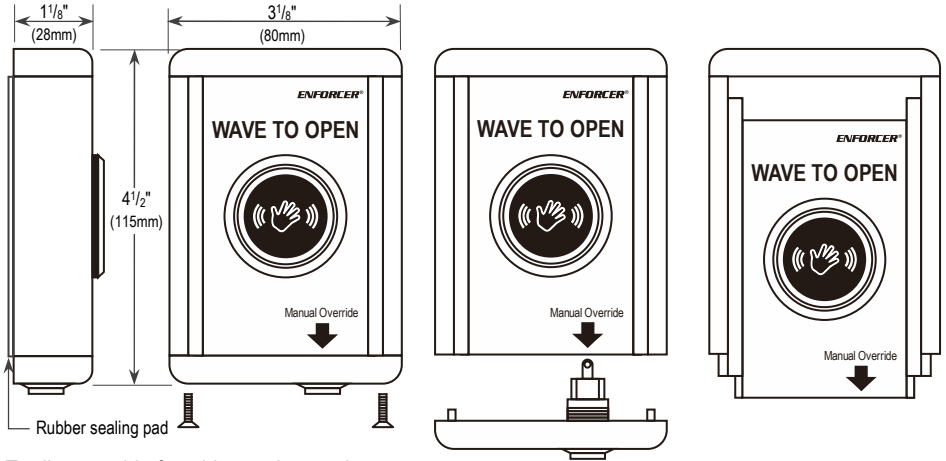
- Adjustable sensor range up to 6" (15cm)
- 1A relay, adjustable trigger duration 0.5~30 seconds or toggle
- LED illuminated sensor area for easy identification
- Selectable LED colors (turns from red to green or green to red) when sensor is activated
- Aluminum alloy and ABS plastic housing
- IP54 Weather-resistant for outdoor use

ENFORCER Surface-Mount Wave-to-Open Sensor with Manual Override Button

Introduction:

The ENFORCER Surface-Mount Wave-to-Open Sensor with Manual Override Button is a full-featured exit plate which uses IR technology to allow egress from a protected area or activate a device with the simple wave of a hand. Since no touch is required, this sensor is suitable for use in hospitals, clinics, labs, cleanrooms (to reduce the risk of contamination), schools, factories, or offices. A manual override allows for operation if the sensor is disabled.

Overview:



To disassemble for wiring and mounting:

1. Remove the two screws at the bottom and remove the manual override assembly.
2. Slide the sensor plate downward along with the plastic rails to remove them from the housing.

Parts List:

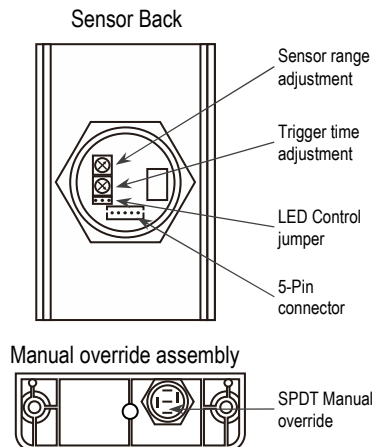
1x	IR Proximity sensor	1x	5-Pin wiring harness	3x	Wires for override button
4x	Mounting screws	2x	Screw plugs	1x	Manual

Specifications:

Power	12-24 VDC	
Current drain (max.)	Standby (red)	20mA@12VDC / 26mA@24VDC
	Triggered (green)	26mA@12VDC / 32mA@24VDC
	Standby (green)	16mA@12VDC / 20mA@24VDC
	Triggered (red)	31mA@12VDC / 39mA@24VDC
Relay type	SPDT dry contact, 1A@24VDC	
Response time	10ms	
LEDs	Standby	Red†
	Triggered	Green†
Output time	0.5-30 s, toggle	
Range	1 9/16" - 6" (4-15 cm)	
IP rating	IP54‡	
Housing material	Aluminum alloy with ABS plastic	
Operating temperature	-4°~131° F (-20°~55° C)	
Dimensions	3 1/8" x 4 1/2" x 1 1/8" (80x115x28mm)	
Weight	9.5-oz (270g)	

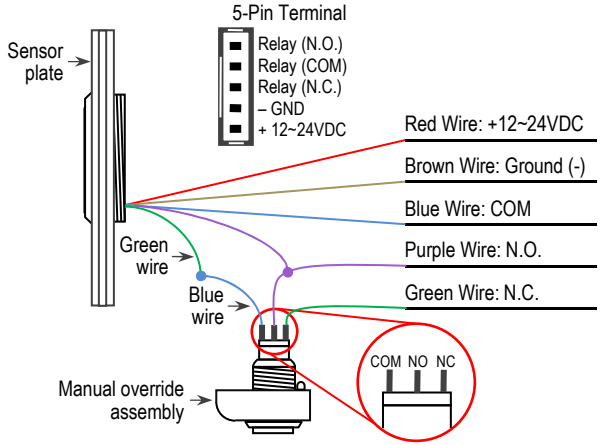
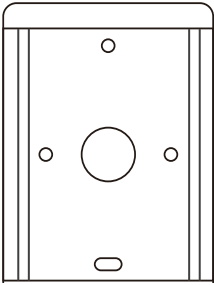
†Color function reversible

‡When properly installed



Mounting and Wiring Diagram:

Use disassembled enclosure base as a template to mark the locations of the 4 mounting holes and wiring hole for drilling.

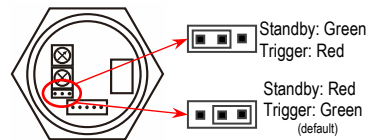


Installation:

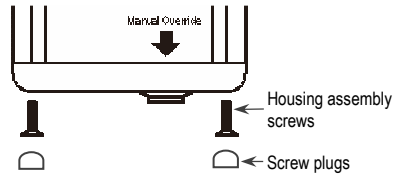
1. Drill holes as shown above and mount the enclosure base. For weatherproof installation, install to a flat surface so the rubber sealing pad has a good seal. Otherwise apply silicone sealant (not included) around the back of the base before installing. Thread the wires through the wiring hole.
2. Connect the wires from to the Request-to-Exit Sensor according the **Wiring Diagram** above.
3. Slide the sensor plate and plastic mounting rails into the enclosure base and use the two screws to attach the manual override assembly taking care not to crimp the wires (see Overview, pg. 2).
4. Tamp the screw plugs into the holes. Remove clear protective film from the sensor before use.

WARNING: Do not connect any device that will exceed 1A@24VDC.

Changing the LED Color Jumper Placement:



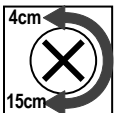
Screw Plugs:



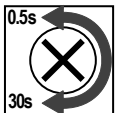
Adjusting the sensor range and trigger time:

1. The sensor range can be adjusted from 19/16"~6" (4~15 cm).
2. The trigger time can be adjusted from 0.5~30 seconds or toggle.*

NOTE: Do not force the adjustment trimpots to turn. Only minimal force is needed.

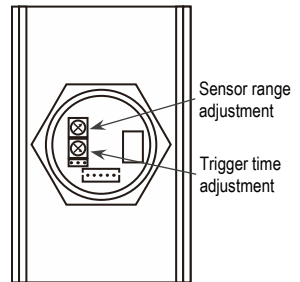


Sensor range: 19/16"~6" (4~15 cm)
Default: 6" (15cm)



Trigger time: 0.5~30 seconds, toggle*
Default: 0.5 seconds
 *Set trigger time to maximum for toggle

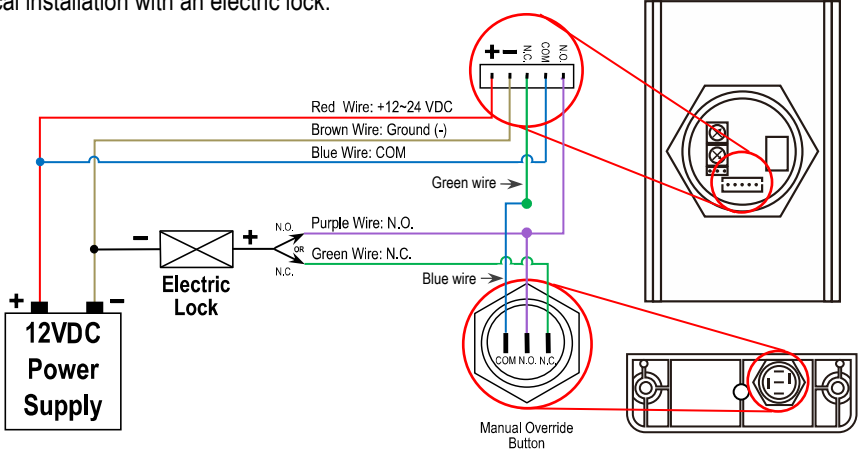
Sensor Back



ENFORCER Surface-Mount Wave-to-Open Sensor with Manual Override Button

Sample Installation:

Typical installation with an electric lock:



Care and Cleaning of the Sensor:

The sensor requires special care to ensure reliability and a long operating life.

1. Use a soft, clean cloth for cleaning. Use the mildest type of cleaner available.
2. When cleaning, spray the cleaning solution onto the cleaning cloth instead of the unit.
3. Be sure to wipe off any excess liquid from the sensor. Wet spots may affect the sensor's performance.

California Proposition 65 Warning: These products may contain chemicals which are known to the State of California to cause cancer and birth defects or other reproductive harm. For more information, go to www.P65Warnings.ca.gov.

IMPORTANT: Users and installers of this product are responsible for ensuring that the installation and configuration of this product complies with all national, state, and local laws and codes related to locking and egress devices. SECO-LARM will not be held responsible for the use of this product in violation of any current laws or codes.

IMPORTANT WARNING: For a weatherproof installation, ensure the unit is installed so that there is a good seal between the enclosure base and the mounting surface. Incorrect mounting may lead to exposure to rain or moisture in the enclosure which could cause a dangerous electric shock, damage the device, and void the warranty. Users and installers of this product are responsible for ensuring this product is properly installed and sealed.

WARRANTY: This SECO-LARM product is warranted against defects in material and workmanship while used in normal service for one (1) year from the date of sale to the original customer. SECO-LARM's obligation is limited to the repair or replacement of any defective part if the unit is returned, transportation prepaid, to SECO-LARM. This Warranty is void if damage is caused by or attributed to acts of God, physical or electrical misuse or abuse, neglect, repair or alteration, improper or abnormal usage, or faulty installation, or if for any other reason SECO-LARM determines that such equipment is not operating properly as a result of causes other than defects in material and workmanship. The sole obligation of SECO-LARM and the purchaser's exclusive remedy, shall be limited to the replacement or repair only, at SECO-LARM's option. In no event shall SECO-LARM be liable for any special, collateral, incidental, or consequential personal or property damage of any kind to the purchaser or anyone else.

NOTICE: The SECO-LARM policy is one of continual development and improvement. For that reason, SECO-LARM reserves the right to change specifications without notice. SECO-LARM is also not responsible for misprints. All trademarks are the property of SECO-LARM U.S.A., Inc. or their respective owners. Copyright © 2020 SECO-LARM U.S.A., Inc. All rights reserved.

SECO-LARM® U.S.A., Inc.

16842 Millikan Avenue, Irvine, CA 92606
Phone: (949) 261-2999 | (800) 662-0800

Website: www.seco-larm.com
Email: sales@seco-larm.com

 PITSW2

MI_SD-9773-KNEVQ_201123.docx