

SECO-LARM®

Electric Glass Door Strikes

Manual



Model #	Locking Mode	Operating Voltage
SD-996A-D3Q	Fail-secure	12 or 24 VDC
SD-996B-D3Q	Fail-safe	

Features:

- Easy installation on top or side of door
- Reversible, non-handed design
- Horizontal faceplate adjustment to help overcome misalignment
- Suitable for office-type applications
- Available in fail-secure or fail-safe
- Non-polarized connection
- For use on $\frac{3}{8}$ " (10mm) or $\frac{1}{2}$ " (12mm) thick frameless glass doors
- Combine with an optional digital keypad

Note: This strike is not weatherproof and should only be installed indoors.

SECO-LARM Electric Glass Door Strikes

Introduction:

The **SECO-LARM**® Electric Glass Door Strike can be installed on frameless glass doors to provide an electronic access-controlled locking system. The strike can be used on 3/8" (10mm) or 1/2" (12mm) glass doors, is non-handed, and is available in either fail-safe or fail-secure models.

Combine with an optional **SECO-LARM**® digital keypad for keyless high security.

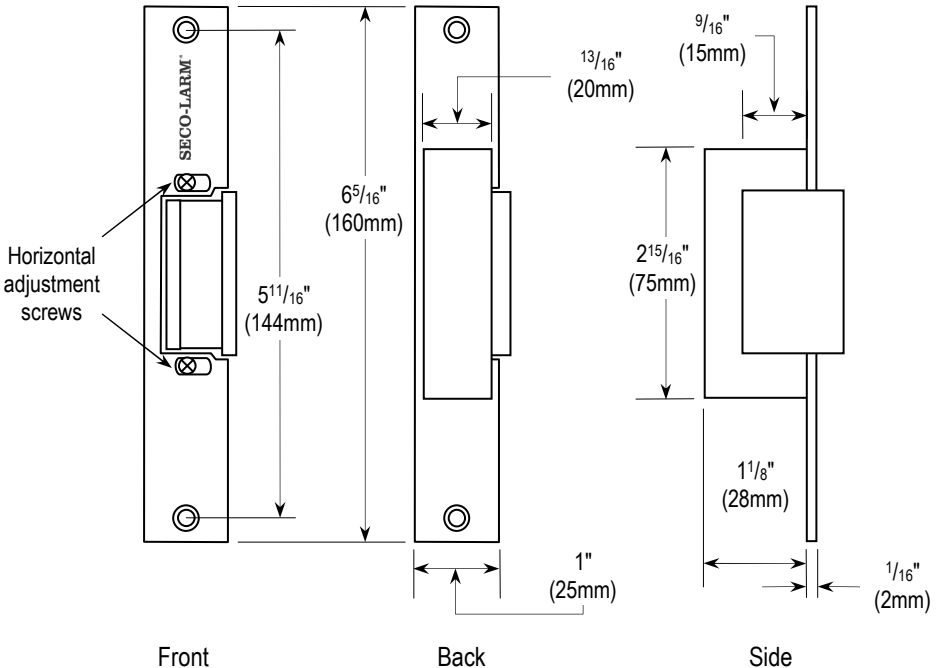
Parts List:

1x Door strike	1x 1N4001 Diode	2x Electrical connectors
2x Mounting tabs	2x Mounting tab screws	2x Anchor nuts
2x Wood screws	4x Machine screws	2x Black shims
1x Manual		

Specifications:

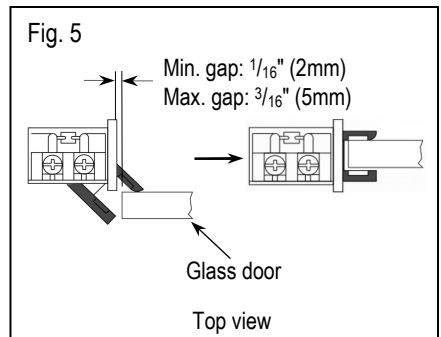
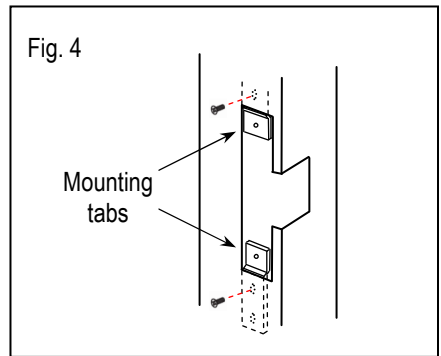
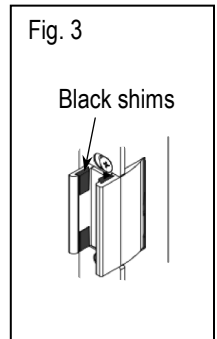
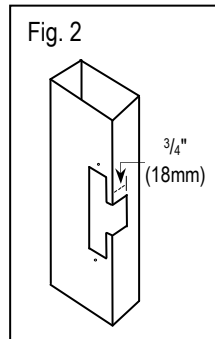
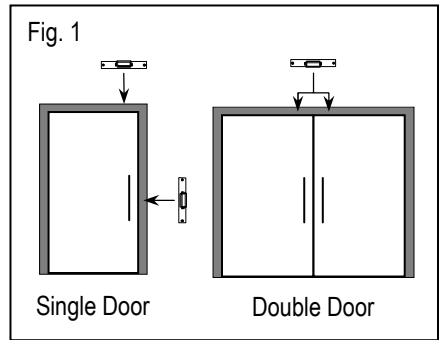
Model	SD-996A-D3Q	SD-996B-D3Q
Operating voltage	12 or 24 VDC	
Current draw	12VDC	300mA
	24VDC	150mA
Lock mode	Fail-secure	Fail-safe
Latch throw	3/16" (5mm) Max., 1/16" (2mm) Min.	
Operating humidity	0~85% Non-condensing	
Operating temperature	14°~120° F (-10°~49° C)	
Dimensions	1"x6 ⁵ / ₁₆ "x1 ³ / ₁₆ " (25x160x30 mm)	

Overview:



Installation:

1. Determine the mounting location of the strike. For single doors, the door strike can be mounted on the side door jamb, or top door jamb. For double doors, two strikes can be mounted near the center on the top door jamb (see Fig. 1).
2. Cut a hole in the door jamb according to the dimensions of the strike, to a depth of $\frac{3}{4}$ " (18mm) (see Fig. 2).
3. For 10mm thick glass doors, add the included two black shims (see Fig. 3).
4. For hollow door frames, use the two included mounting tab screws and anchor nuts to affix the mounting tabs to the inside of the door jamb (see Fig. 4).
5. Ensure a minimum gap of $\frac{1}{16}$ " (2mm) and a maximum of $\frac{3}{16}$ " (5mm) between the strike faceplate and the door (see Fig. 5).
6. Connect the two wires to the access control device or egress device, e.g. keypad, push-button switch, etc. using the provided electrical connectors (see Wiring Diagram on pg. 4). Polarity is not important. Ensure that no bare wires are exposed.
7. Conceal all wires in the door frame. Using the included screws, mount the strike to the door jamb or mounting tabs.
8. Loosen the adjustment screws and adjust horizontal positioning as needed to ensure that the door closes smoothly. Tighten adjustment screws when done.



SECO-LARM Electric Glass Door Strikes

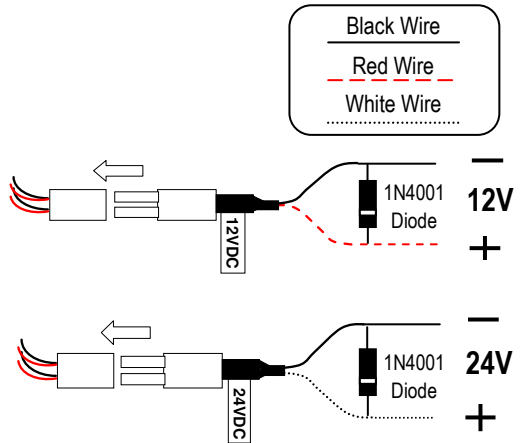
12/24 VDC Wiring Diagram*:

For 12VDC Operation*:

Use the included electrical connector marked 12VDC and connect its red/black wires to the positive and negative terminals of the control device.

For 24VDC Operation*:

Use the included electrical connector marked 24VDC and connect its white/black wires to the positive and negative terminals of the control device.



*Diagrams are for illustrative purposes only. Polarity of wires is not important.

Troubleshooting:

Electric glass door strike does not activate.

- Unmount the strike and check that the two wires are connected properly.
- Ensure the wires are connected to a 12/24 VDC source.
- Use a multimeter and test that the strike is receiving the proper voltage and amperage. If it is not, it may be necessary to use heavier gauge wires, or increase the output of the power supply.
- Make sure the activation device (keypad or push-button switch) is working properly.

Door does not open when the electric glass door strike is activated.

- The position of the electric glass door strike may need to be adjusted by moving it or adding shims.

Strike makes a buzzing sound.

- Use DC power supply instead of AC power.

IMPORTANT: Users and installers of this product are responsible for ensuring this product complies with all national, state, and local laws and statutes related to monitoring and recording audio and video signals. SECO-LARM will not be held responsible for the use of this product in violation of any current laws or statutes.

WARRANTY: This SECO-LARM product is warranted against defects in material and workmanship while used in normal service for one (1) year from the date of sale to the original customer. SECO-LARM's obligation is limited to the repair or replacement of any defective part if the unit is returned, transportation prepaid, to SECO-LARM. This Warranty is void if damage is caused by or attributed to acts of God, physical or electrical misuse or abuse, neglect, repair or alteration, improper or abnormal usage, or faulty installation, or if for any other reason SECO-LARM determines that such equipment is not operating properly as a result of causes other than defects in material and workmanship. The sole obligation of SECO-LARM and the purchaser's exclusive remedy, shall be limited to the replacement or repair only, at SECO-LARM's option. In no event shall SECO-LARM be liable for any special, collateral, incidental, or consequential personal or property damage of any kind to the purchaser or anyone else.

NOTICE: The SECO-LARM policy is one of continual development and improvement. For that reason, SECO-LARM reserves the right to change specifications without notice. SECO-LARM is also not responsible for misprints. All trademarks are the property of SECO-LARM U.S.A., Inc. or their respective owners. Copyright © 2017 SECO-LARM U.S.A., Inc. All rights reserved.

SECO-LARM® U.S.A., Inc.

16842 Millikan Avenue, Irvine, CA 92606
Phone: (949) 261-2999 | (800) 662-0800

Website: www.seco-larm.com
Email: sales@seco-larm.com

 PITGW1

ML_SD-996x-D3Q_170728.docx