

# SECO-LARM®

## SD-998C-NUQ / SD-998C-NUAQ

### Surface-Mount Electric Rim Strikes

## Manual



SD-998C-NUAQ shown

Model #	Housing Thickness	Latch Throw
SD-998C-NUQ	3/4" (19mm)	3/4" (19mm)
SD-998C-NUAQ	1/2" (13mm)	1/2" (13mm)

### Features:

- 12/24 VDC Operating voltage
- Non-polarized connection
- Horizontal adjustment
- Accommodates up to 3/4" Pullman latch
- Reversible non-handed design fits either right-hand or left-handed doors
- Surface-mount on metal or wood frames
- Works with standard rim-type exit devices including SECO-LARM SD-962AR-36A and SD-962AR-36G
- For Indoor Use Only
- Static strength – 1,500 lbs. (680kg)
- Tested for 250,000 cycles (UL Tested)
- Low current draw: 540mA@12VDC, 270mA@ 24VDC
- Field-selectable for fail-safe or fail-secure operation
- The SD-998C series is intended to be used with UL Listed Exit Hardware
- The SD-998C series shall not impair the intended operation of an emergency unit
- The SD-998C series shall not impair the operation of panic hardware mounted on the door

# SECO-LARM Surface-Mount Electric Rim Strikes

## Introduction:

The SECO-LARM Surface-Mount Electric Rim Strikes are designed with the strength and durability for use with rim-type exit devices with a Pullman latch bolt ( $\frac{3}{4}$ " throw for the SD-998C-NUQ,  $\frac{1}{2}$ " throw for the SD-998C-NUAQ). The strikes feature 12/24 VDC operating voltage, selectable fail-safe/fail-secure operation, horizontal adjustment, and a surface-mount metal housing, eliminating the need for frame cutting during installation.

## Parts List:

- |                               |   |
|-------------------------------|---|
| 1x Strike                     | 2x Crimp connectors   |
| 1x Blind nut kit              | 1x 12VDC cable connector  |
| 2x Blind nuts                 | 1x 24VDC cable connector  |
| 1x Hex wrench                 | Spacers –   |
| 2x Hex socket head cap screws | – 3x $\frac{1}{32}$ " (0.8mm) <sup>1</sup>  |
| 2x Phillips flat head screws  | – $\frac{1}{16}$ ", $\frac{1}{8}$ ", $\frac{1}{4}$ " (1.5mm, 3mm, and 6mm) <sup>2</sup> |
| 1x Manual                     |   |

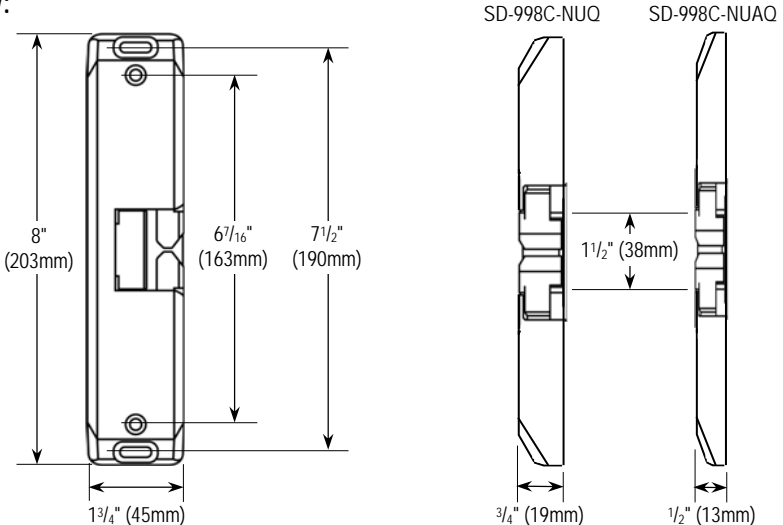
**Note:** Not all parts will be used in every installation.

<sup>1</sup>SD-998C-NUQ only  
<sup>2</sup>SD-998C-NUAQ only

## Specifications:

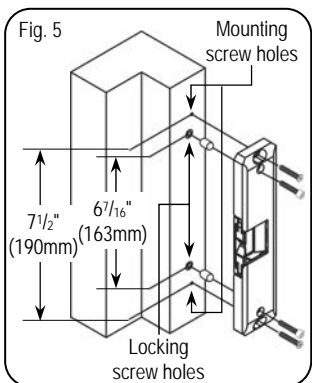
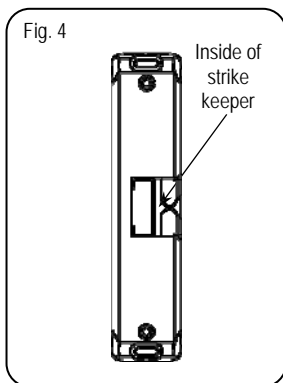
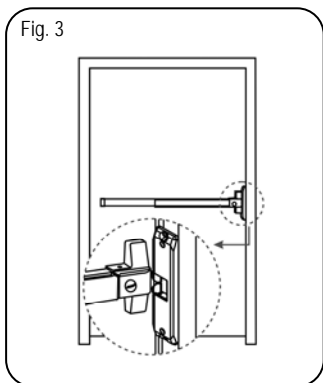
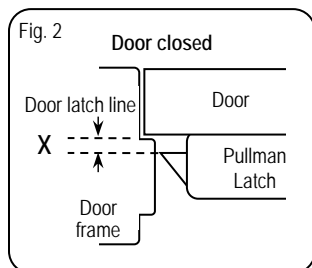
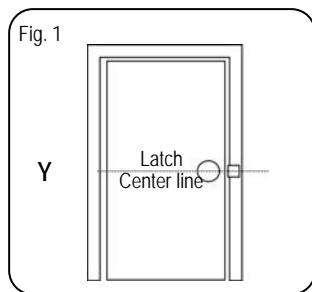
Model	SD-998C-NUQ	SD-998C-NUAQ
Operating voltage	12/24 VDC	
Current draw	540mA@12VDC, 270mA@24VDC	
Operating temperature	14°~120° F (-10°~49° C)	
Operating humidity	0~85%	
Maximum latch throw	$\frac{3}{4}$ " (19mm)	$\frac{1}{2}$ " (13mm)
Static strength	1,500 lbs. (680kg)	
Dynamic strength	70 lb-ft. 9.68 (kg-m)	
Endurance	250,000 cycles (UL Tested)	
Dimensions	8"x1 $\frac{3}{4}$ "x $\frac{3}{4}$ " (203x45x19 mm)	8"x1 $\frac{3}{4}$ "x $\frac{1}{2}$ " (203x45x13 mm)

## Overview:



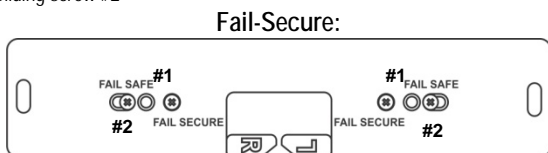
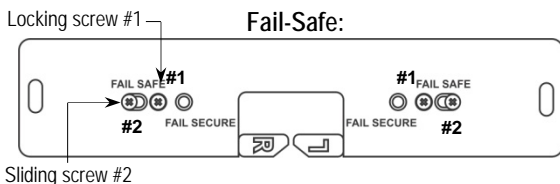
## Installation:

1. Set either fail-safe or fail-secure operation. See "Selecting Fail-Safe/Fail-Secure," below.
2. Measure the center line of the latch, labeled "Y" (see Fig.1).
3. With the door closed, measure and mark the latch line on the door frame, labeled "X" (see Fig. 2). This will correspond with the inside of the strike keeper as shown in Figs. 3 and 4.
4. Using the strike as a template centered on the latch center line "Y," and so that the inside of the strike keeper is aligned with the door latch line "X," mark and drill the two outer mounting holes and the cable access hole.
5. Make the wire connections (see "Wiring Diagram" on pg. 4) and then mount the strike to the frame with the Philips flat-head screws. Check the location and ensure that the door latches properly and adjust the strike horizontally as needed.
6. Tighten the two mounting screws and mark the locking hole locations (the two inner holes, see Fig. 5).
7. Remove the strike and drill the two locking holes. Insert the blind nuts into the locking holes. Reinstall the strike as before and lock into place with the hex socket head cap screws into the blind nuts.



## Selecting Fail-Safe/Fail-Secure:

1. Remove both locking screws #1.
2. Loosen both sliding screws #2, slide to the desired fail-safe or fail-secure setting (factory default), and retighten.
3. Reinsert and tighten locking screws #1 to lock the desired fail-safe or fail-secure setting.



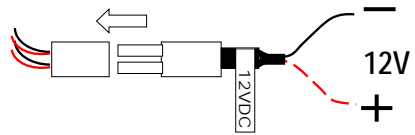
Note: SD-998C-NUAQ shown.

# SECO-LARM Surface-Mount Electric Rim Strikes

## Wiring Diagram:

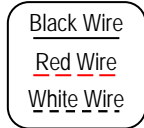
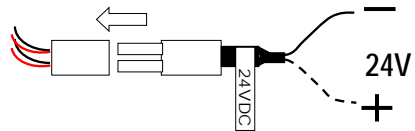
For 12VDC operation:

1. Use the included wiring connector marked 12VDC.
2. Plug the male wiring connector into the female wiring harness connector of the door strike.



For 24VDC operation:

1. Use the included wiring connector marked 24VDC.
2. Plug the male wiring connector into the female wiring harness connector of the door strike.



## Troubleshooting:

Electric strike does not activate

- Dismount the strike and check that the wiring connector is connected properly.
- Ensure the wiring connector is connected to a 12 or 24VDC source.
- Use a multimeter to test that the strike is receiving the proper voltage and amperage. If it is not, it may be necessary to use heavier gauge wires, or increase the output of the power supply.
- Make sure the activation device (keypad or push-button switch) is working properly.

Door does not open when the electric strike is activated

- Check that the door latch is operating properly, and replace if necessary.
- The position of the electric strike may need to be adjusted by moving it or adding washers or shims.

Strike makes a buzzing sound

- Connect the strike to a DC power supply.

**WARRANTY:** This SECO-LARM product is warranted against defects in material and workmanship while used in normal service for five (5) years from the date of sale to the original customer. SECO-LARM's obligation is limited to the repair or replacement of any defective part if the unit is returned, transportation prepaid, to SECO-LARM. This Warranty is void if damage is caused by or attributed to acts of God, physical or electrical misuse or abuse, neglect, repair or alteration, improper or abnormal usage, or faulty installation, or if for any other reason SECO-LARM determines that such equipment is not operating properly as a result of causes other than defects in material and workmanship. The sole obligation of SECO-LARM and the purchaser's exclusive remedy, shall be limited to the replacement or repair only, at SECO-LARM's option. In no event shall SECO-LARM be liable for any special, collateral, incidental, or consequential personal or property damage of any kind to the purchaser or anyone else.

**NOTICE:** The SECO-LARM policy is one of continual development and improvement. For that reason, SECO-LARM reserves the right to change specifications without notice. SECO-LARM is also not responsible for misprints. All trademarks are the property of SECO-LARM U.S.A., Inc. or their respective owners. Copyright © 2018 SECO-LARM U.S.A., Inc. All rights reserved.

## SECO-LARM® U.S.A., Inc.

16842 Millikan Avenue, Irvine, CA 92606  
Phone: (949) 261-2999 | (800) 662-0800

Website: [www.seco-larm.com](http://www.seco-larm.com)  
Email: [sales@seco-larm.com](mailto:sales@seco-larm.com)

 PITGW1

MI\_SD-998-NUxQ\_180420.docx