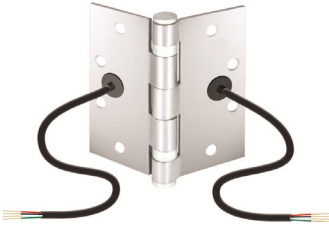


ENFORCER®

SD-H412

Electric Transfer Hinge Manual



Features:

The ENFORCER SD-H412 Electric Transfer Hinge provides a vandal-resistant method for protecting and concealing wires between a hollow door and door frame. It is suitable for low-voltage, low-current applications such as electric door strikes, locksets, and deadbolts or other monitoring or exit devices and is easily installed, replacing the center hinge.

Parts List:

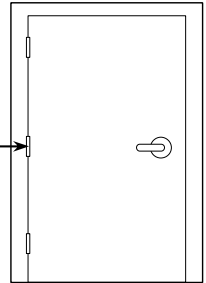
- 1x Hinge
- 8x Metal Screws
- 1x Mounting Template
- 8x Wood Screws
- 1x Manual

Overview:

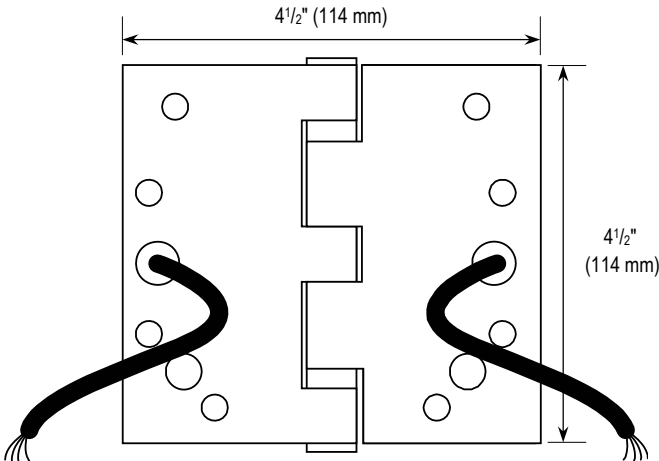
Type	5-knuckle, 4-wire transfer hinge with concealed wiring	
Operating voltage	12~24 VAC/VDC	
Current	28AWG	0.5@24VAC/VDC
Wires	4x 28AWG (red, black, white, green)	
Operating temperature	-4°~185° F (-20°~85°C)	
Dimensions	4 1/2" x 4 1/2" x 1/8"	
Weight	16-oz (454g)	

Fig. 1

Electric Transfer Hinge installation location



Dimensions:



ENFORCER Electric Transfer Hinge

Installation:

1. Using the included template, prepare the door frame and door for the hinge and drill $\frac{5}{8}$ " (16mm) wiring holes in the door and frame to accommodate the wiring. Take care to ensure that there are no burrs or sharp edges around the holes. Note: the Electric Transfer Hinge is not designed to bear the load of the door, and thus should be installed between the upper and lower load-bearing hinges (see Fig. 1).
2. Make the wiring connections.
3. After the wires are connected, gently feed the wires through the wiring holes in the frame, taking care not to scratch the wire insulation or crimp any wires. Install the hinge to the frame without tightening the mounting screws completely.
4. Repeat with the wires through the door's wiring holes and install the hinge to the door. Test by closing and opening the door, and if there are no problems, then tighten the mounting screws on both the door and frame.

Important Notes:

1. The ENFORCER Electric Transfer Hinge is not meant to be load-bearing, and should be installed in place of a center hinge.
2. Only one Electric Transfer Hinge can be installed in a single door.
3. Do not pick up the hinge by grabbing the wires and do not pull the wires as this may damage them. Such resulting damage is not covered by the warranty.
4. Take care when feeding the wires through the door and frame wiring holes, make sure not to crimp or damage the insulation.
5. Disassembling the hinge will void the warranty.

WARRANTY: This SECO-LARM product is warranted against defects in material and workmanship while used in normal service for one (1) year from the date of sale to the original customer.

NOTICE: The SECO-LARM policy is one of continual development and improvement. For that reason, SECO-LARM reserves the right to change specifications without notice. SECO-LARM is also not responsible for misprints. All trademarks are the property of SECO-LARM U.S.A., Inc. or their respective owners. Copyright © 2019 SECO-LARM U.S.A., Inc. All rights reserved.

SECO-LARM® U.S.A., Inc.

16842 Millikan Avenue, Irvine, CA 92606 Website: www.seco-larm.com
Phone: (949) 261-2999 | (800) 662-0800 Email: sales@seco-larm.com

 PICGN3

MI_SD-H412_191001.docx