

ENFORCER®

Power Converters

Manual



ST-LA108-TPQ
ST-LA115-TPQ



ST-LA130-TTQ

Model	ST-LA108-TPQ	ST-LA115-TPQ	ST-LA130-TTQ
Input voltage	16~28 VAC/VDC	18~28 VAC/VDC	18~24 VAC/VDC for 12VDC 24~28 VAC or 26~28 VDC for 24VDC
Output voltage	12VDC		12/24 VDC
Output current	0.8A	1.5A	3A@12VDC 1.5A@24VDC

ENFORCER Power Converters

Introduction:

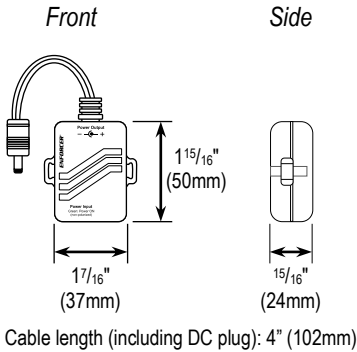
The ENFORCER Power Converter series is a family of low-voltage step-down power converters, converting low-voltage AC or DC into regulated DC outputs. These converters are useful for DC CCTV cameras, access controls, and many other applications where regulated low-voltage DC output is required.

Features:

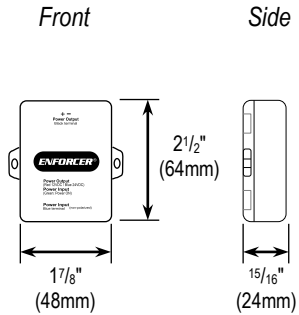
- Three models available, providing varying degrees of low-voltage DC output
- Built-in overload protection
- Regulated and filtered output
- Green LED indicates power input
- Red and Blue LEDs indicate power output (ST-LA130-TTQ only)
- **ST-LA108-TPQ and ST-LA115-TPQ Only:** 2.1mm DC Plug with pigtail for simple and quick installations

Dimensions:

ST-LA108-TPQ and ST-LA115-TPQ

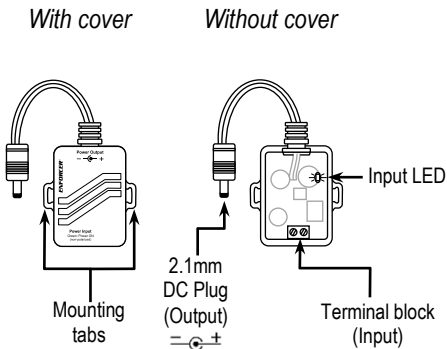


ST-LA130-TTQ

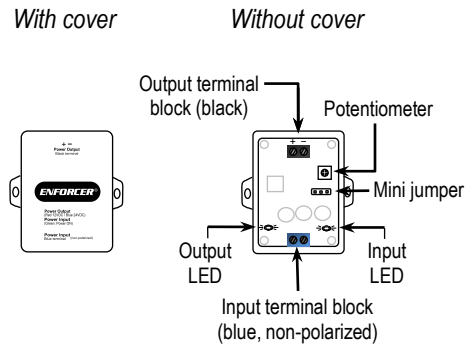


Overview:

ST-LA108-TPQ and ST-LA115-TPQ



ST-LA130-TTQ

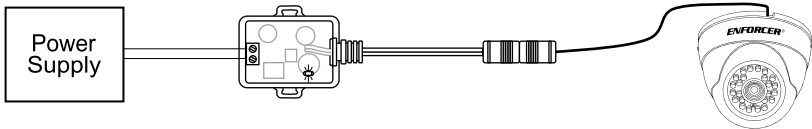


Installation:

ST-LA108-TPQ and ST-LA115-TPQ

1. Remove the cover by simultaneously pressing the two indented slots located on both sides of the unit.
2. Connect power to the input side terminal block. Polarity is not important.
 - For the **ST-LA108-TPQ**, connect a 16~24 VAC/VDC power supply.
 - For the **ST-LA115-TPQ**, connect an 18~24 VAC/VDC power supply.

Note: Do not turn on the power supply until ready to test.
Note: Use between 16AWG and 22AWG wire for the input.
3. Turn the power supply on. The power converter's green LED should turn on to indicate input power.
4. **Test the output.** Use a voltage meter to measure the output from the DC plug to make sure it is correct.
5. Connect the device requiring power to the DC plug.
6. Test the device to ensure proper operation.
7. Replace the plastic cover on the voltage converter and secure it in the desired location.

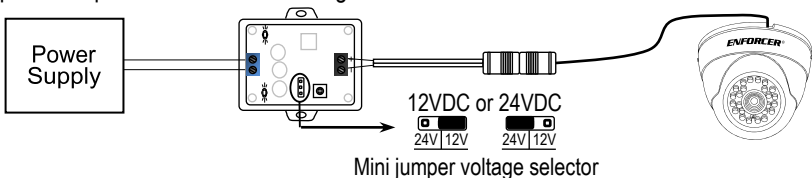


ST-LA130-TTQ

1. Remove the cover by removing the screws on the back of the unit with a screwdriver (not included).
2. Set the desired voltage output via the on-board mini jumper, see illustration below.
3. Connect the power supply to the blue input terminal block. Polarity is not important.
 - For 12VDC output, connect an 18~24 VAC/VDC power supply.
 - For 24VDC output, connect a 24~28 VAC or 26~28 VDC power supply.

Note: Do not turn on the power supply until ready to test.
Note: Use between 16AWG and 22AWG wire for the input.
4. Turn the power supply on. The ST-LA130-TTQ's green LED should turn on to indicate input power. The red LED should light to indicate 12VDC power output while the blue LED should light to indicate 24VDC power output.
5. **Test the output.** Use a voltage meter to measure the output from the black output terminal block to make sure it is correct.

Note: The output voltage can be adjusted by about 10% by turning the on-board potentiometer. Turn clockwise to increase the voltage, turn counterclockwise to decrease the voltage. Range: 12~13.3 VDC at 12VDC output, 24~26.8 VDC at 24VDC output.
6. Connect the device requiring power to the black output terminal block. Observe correct polarity.
7. Test the device to ensure proper operation.
8. Replace the plastic cover on the voltage converter and secure it in the desired location.



ENFORCER Power Converters

Specifications:

Model	ST-LA108-TPQ	ST-LA115-TPQ	ST-LA130-TTQ
Input connector	Terminal block		
Output connector	2.1mm DC Plug		Terminal block
Input voltage	16~28 VAC/VDC	18~28 VAC/VDC	18~24 VAC/VDC for 12VDC 24~28 VAC or 26~28VDC for 24VDC
Output voltage	12VDC		12/24 VDC
Output current	0.8A	1.5A	3A@12VDC 1.5A@24VDC
LED Indicators	Green: Power input		Green: Power input Red: 12VDC Power output Blue: 24VDC Power output
Current protection	Built-in		
Overheat protection	Built-in		
Overload protection	Built-in		
Dimensions	1 ¹⁵ / ₁₆ "x17 ¹ / ₁₆ "x1 ¹⁵ / ₁₆ " (50x37x24 mm)		2 ¹ / ₂ "x17 ¹ / ₈ "x1 ¹⁵ / ₁₆ " (64x48x24 mm)

WARNING: Incorrect installation which leads to exposure to rain or moisture inside the enclosure could cause a dangerous electric shock, damage the device, and void the warranty.

IMPORTANT: Users and installers of this product are responsible for ensuring this product complies with all national, state, and local laws and statutes related to monitoring and recording audio and video signals. SECO-LARM will not be held responsible for the use of this product in violation of any current laws or statutes.

WARRANTY: This SECO-LARM product is warranted against defects in material and workmanship while used in normal service for one (1) year from the date of sale to the original customer. SECO-LARM's obligation is limited to the repair or replacement of any defective part if the unit is returned, transportation prepaid, to SECO-LARM. This Warranty is void if damage is caused by or attributed to acts of God, physical or electrical misuse or abuse, neglect, repair or alteration, improper or abnormal usage, or faulty installation, or if for any other reason SECO-LARM determines that such equipment is not operating properly as a result of causes other than defects in material and workmanship. The sole obligation of SECO-LARM and the purchaser's exclusive remedy, shall be limited to the replacement or repair only, at SECO-LARM's option. In no event shall SECO-LARM be liable for any special, collateral, incidental, or consequential personal or property damage of any kind to the purchaser or anyone else.

NOTICE: The SECO-LARM policy is one of continual development and improvement. For that reason, SECO-LARM reserves the right to change specifications without notice. SECO-LARM is also not responsible for misprints. All trademarks are the property of SECO-LARM U.S.A., Inc. or their respective owners. Copyright © 2017 SECO-LARM U.S.A., Inc. All rights reserved.

SECO-LARM® U.S.A., Inc.

16842 Millikan Avenue, Irvine, CA 92606
Phone: (949) 261-2999 | (800) 662-0800

Website: www.seco-larm.com
Email: sales@seco-larm.com

 PITSW1
Order Part# 764-509-1%
ML_ST-LA1xx-TxQ_170728.docx