

ENFORCER®

VS-1V12YQ

4-in-1 HD Surge Protector

Manual



- Helps prevent damage to sensitive HD-TVI, HD-CVI, HD-AHD, and Analog CCTV cameras, DVRs, and switches
- Intercepts repeated surges and spikes that could damage HD-TVI, HD-CVI, HD-AHD, and Analog CCTV equipment
- Passive operation – no external power required
- Includes a 16" grounding wire for convenient connection to ground

ENFORCER 4-in-1 HD Surge Protector

Introduction:

The ENFORCER 4-in-1 HD Surge Protector is a passive device that helps protect sensitive HD and Analog CCTV equipment from power surges. The device can be deployed in new installations or existing ones.

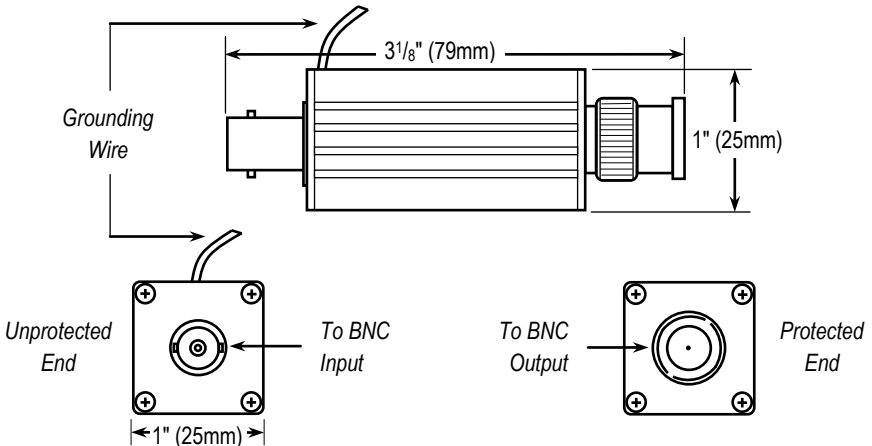
The ENFORCER 4-in-1 HD Surge Protector should be installed between a camera and a DVR or video splitter to protect against surges that could damage the video equipment.

NOTE: For the best protection, installing two surge protectors is recommended: one at each end of the cable.

Specifications:

Bandwidth	Up to 270MHz	
Maximum input	6Vp-p	
Insertion loss	0.8dB@42MHz	
Return loss	16dB	
Frequency response	Up to 3dB@10MHz	
Insulation resistance	10,000MΩ	
Maximum surge voltage	4kV	
Discharging current	15kV	
Surge life	300 surges@200A	
Surge reaction speed	<1ns	
Surge resistance	0Ω	
Signal passing capability	Breakdown voltage	6V
	Clamping voltage	25V
Connector	In	BNC Male (75Ω)
	Out	BNC Female (75Ω)
Impedance	~75Ω (BNC-to-BNC)	
Dimensions	3 1/8" x 1" x 1" (79x25x25 mm)	
Cable length	15 3/4" (400mm)	
Weight	2.3-oz (65g)	
Material	Aluminum	
Operating temperature	-40°~194° F (-40°~90° C)	

Overview:

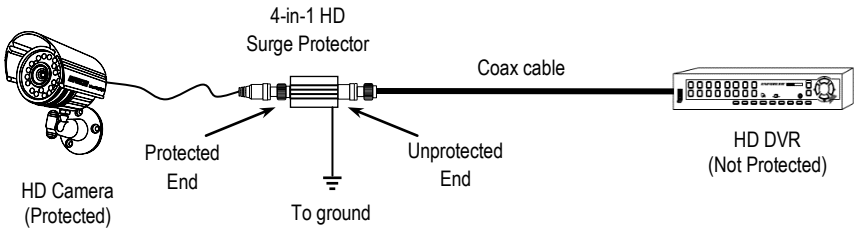


Installation:

NOTE: These instructions assume that 2 HD-TVI, HD-CVI, HD-AHD, or Analog devices have already been connected together.

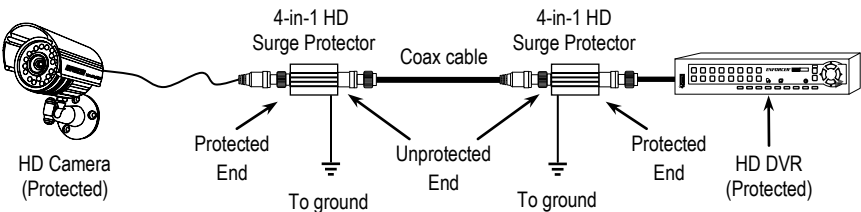
Protecting a Single Device:

1. Detach the existing coax cable from the device to be protected and attach that cable to the "Unprotected" end of the 4-in-1 HD Surge Protector.
2. Attach the device to be protected to the "Protected" end of the 4-in-1 HD Surge Protector. The protected cables should not cross unprotected cables.
3. Connect the ground wire from the 4-in-1 HD Surge Protector to earth ground. The system should use a single ground point and the protected device should be isolated from ground.



Protecting Multiple Devices:

1. Detach the coax cable from both devices to be protected.
2. Attach a 4-in-1 HD Surge Protector to each end of the coax cable, ensuring that the cable is connected to the "Unprotected" end of the 4-in-1 HD Surge Protector.
3. Attach each device (such as an HD camera or HD DVR) to be protected to the "Protected" end of its respective 4-in-1 HD Surge Protector.
4. If it is not convenient to connect the 4-in-1 HD Surge Protector directly to the HD DVR device, a patch cable may be used. For best protection, the patch cable should be as short as possible. In addition, the protected cables should not cross unprotected cables.
5. Connect the ground wire from each 4-in-1 HD Surge Protector to earth ground. The system should use a single ground point and the protected device should be isolated from ground.



ENFORCER 4-in-1 HD Surge Protector

Troubleshooting:

Wavy or ghost video image if connected to an image processor (e.g., multiplexer or DVR), but not if connected directly to the monitor.

- Move the cable away from possible sources of interference.
- Replace the cable with a new cable.
- Ensure that the protected cable is as short as possible.

Video image background flutters between dark and light.

- Remove a local power source, or adjust the monitor's brightness and contrast.

Video image is weak or faded.

- Reduce the cable length.
- Replace with a higher-grade cable.

No video image.

- Double-check that the cables were connected properly.
- Run a continuity test on all wires in the cable.

Also Available from SECO-LARM:

HD-SDI Surge Protector
VS-1V22AQ



IP Surge Protector
IPV-PD88Q



PoE Surge Protector
IPV-P188Q



HDMI Surge Protector
VS-1AHHAQ



IMPORTANT: Users and installers of this product are responsible for ensuring this product complies with all national, state, and local laws and statutes related to monitoring and recording audio and video signals. SECO-LARM will not be held responsible for the use of this product in violation of any current laws or statutes.

WARNING: Incorrect mounting which leads to exposure to rain or moisture inside the enclosure could cause a dangerous electric shock, damage the device, and void the warranty. Do not open the case of this device, as there are no field-serviceable components inside.

WARRANTY: This SECO-LARM product is warranted against defects in material and workmanship while used in normal service for a period of one (1) year from the date of sale to the original consumer customer. SECO-LARM's obligation is limited to the repair or replacement of any defective part if the unit is returned, transportation prepaid, to SECO-LARM. This Warranty is void if damage is caused by or attributed to acts of God, physical or electrical misuse or abuse, neglect, repair or alteration, improper or abnormal usage, or faulty installation, or if for any other reason SECO-LARM determines that such equipment is not operating properly as a result of causes other than defects in material and workmanship. The sole obligation of SECO-LARM and the purchaser's exclusive remedy, shall be limited to the replacement or repair only, at SECO-LARM's option. In no event shall SECO-LARM be liable for any special, collateral, incidental, or consequential personal or property damage of any kind to the purchaser or anyone else.

NOTICE: The SECO-LARM policy is one of continual development and improvement. For that reason, SECO-LARM reserves the right to change specifications without notice. SECO-LARM is also not responsible for misprints. Copyright © 2016 SECO-LARM U.S.A., Inc. All rights reserved. This material may not be reproduced or copied, in whole or in part, without the written permission of SECO-LARM.

SECO-LARM® U.S.A., Inc.

16842 Millikan Avenue, Irvine, CA 92606
Phone: (949) 261-2999 | (800) 662-0800

Website: www.seco-larm.com
Email: sales@seco-larm.com



ML_VS-1V2YQ_161118.docx