

ENFORCER®

Varifocal Vandal Rollerball Cameras Manual



NTSC Models	PAL Models	Features
EV-2706-NFGQ	EV-2706-PFGQ	700 TVL, Gray Housing
EV-2706-NFWQ	EV-2706-PFWQ	700 TVL, White Housing

3X Series – clear images in nearly any lighting situation

EV-2726-NFGQ*	EV-2726-PFGQ*	700 TVL, 3D-DNR, 2D-DNR, WDR, Gray Housing
EV-2726-NFWQ*	EV-2726-PFWQ*	700 TVL, 3D-DNR, 2D-DNR, WDR, White Housing

*Includes built-in OSD (On-Screen Display) controller

- 1/3" Sony CCD
- 2.8-12mm Lens
- 3-Axis ball mount for wall or ceiling mounting
- 960H High resolution
- Weatherproof (IP65)
- Split-glass design to eliminate IR reflection
- Vandal-resistant design

SECO-LARM® SLI

FC CE RoHS

Note: Products with model numbers that end with "Q" or that have a round green "Q" sticker are RoHS compliant.

ENFORCER Varifocal Vandal Ball-Mount Dome Cameras

Specifications:

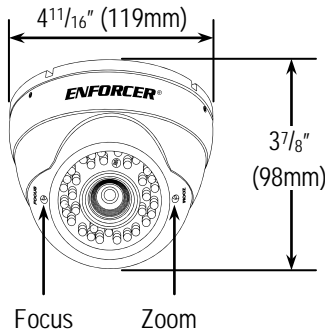
Model	NTSC	EV-2706-NFGQ EV-2706-NFWQ	EV-2726-NFGQ EV-2726-NFWQ
	PAL	EV-2706-PFGQ EV-2706-PFWQ	EV-2726-PFGQ EV-2726-PFWQ
Type	Vandal Rollerball Camera		
CCD	1/3" Sony Super HAD II		
Resolution	700 TV lines		
Pickup elements	NTSC	976x494 pixels	
	PAL	976x582 pixels	
3D-NR	No	Yes	
WDR	No	Yes	
OSD Control	No	Yes	
960H*	Yes		
Scanning system	2:1 Interlace		
Sync	Internal		
Video output	1V p-p composite output, 75 ohms		
Lens	2.8-12mm		
# of IR LEDs	36 (850nm)		
IR Range	Up to 100' (30m)		
Minimum illumination	LEDs OFF	0.02 Lux	0.03 Lux
	LEDs ON	0 Lux	
Gamma correction	0.45		
S/N Ratio	>52dB		
DSS (Digital Slow Shutter)	N/A	256x	
Shutter control	Auto Electric Shutter (AES), 1/60-1/100,000 s		
Gain control	Auto		
White balance	Auto		
Operating voltage	12VDC \pm 10%		
Current draw	LEDs OFF	100mA	150mA
	LEDs ON	400mA	450mA
IP Rating	IP65		
Operating temperature	-4° -131° F (-20° -55° C)		
Dimensions	4 ^{11/16} "x3 ^{7/8} " (119x98 mm)		
Cable length	34" (86cm)		
Weight	1-lb, 13-oz (820g)		

*In order to take full advantage of 960H resolution, the camera must be used with a 960H DVR.

Parts List:

- 1 x Camera
- 1 x Manual
- 4 x Screws
- 4 x Screw anchors
- 1 x DC Plug with terminal block
- 1 x Small screwdriver
- 1 x Hex wrench
- 2 x Rubber plugs

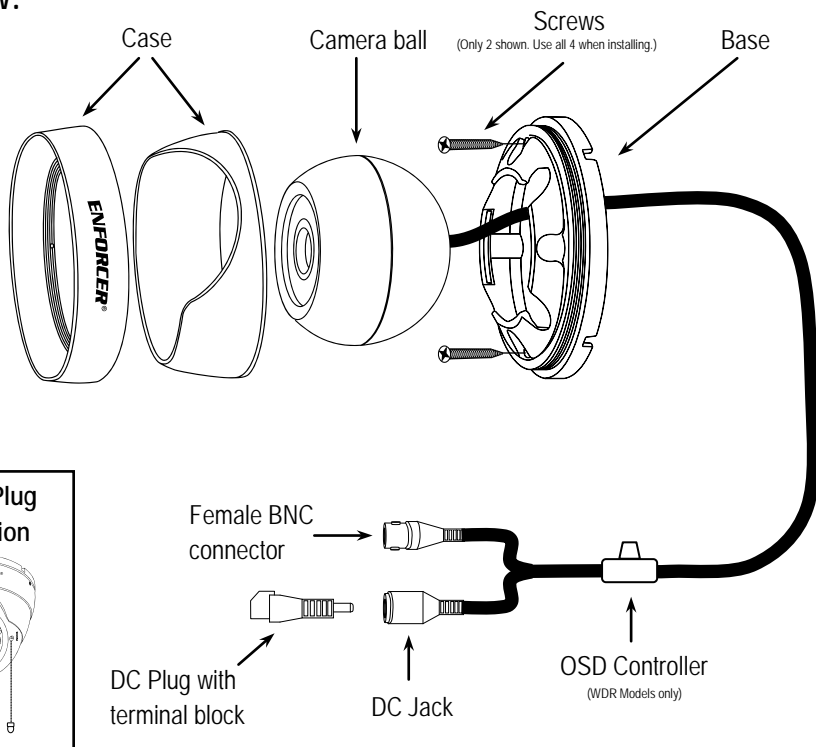
Dimensions:



Optional Mounting Brackets (sold separately):

	Wall Mount
	Gray: EV-DWLGO White: EV-DWLWQ
	Ceiling Mount
	Gray: EV-DCLGO White: EV-DCLWQ
	Conduit Box
	Gray: EV-DSLGO White: EV-DSLWQ
	Conduit Drop
	Gray: EV-DDLGO White: EV-DDLWQ

Overview:



Before Starting:

1. Please read this manual carefully and keep it for future reference.
2. Use the camera within the given temperature and electricity limits.
3. Do not point the camera at the sun. Heat could damage the camera, even when not in use.
4. Do not drop the camera or subject it to strong vibrations.
5. Do not mount the camera in areas exposed to radiation, strong magnetic fields, or strong electrical signals.

Installation:

1. Run a 12VDC power supply wire and a video cable with a male BNC connector through the wall to where the camera is to be mounted.
2. Loosen the set screws with the included hex wrench and remove the case from the base.
NOTE: The camera ball is NOT attached to the case or the base. It sits loose inside the case. Therefore, be very careful when removing the case from the base. Do not drop the camera ball.
3. Mount the base to the wall using the four included mounting screws. If the wall is made of dry wall, brick, or similar material, it may be necessary to use the included plastic screw anchors.
4. Run the camera's BNC and power connectors through the camera base, and connect to the video and power wires that were run through the wall.
5. Put the case over the camera ball onto the base. Be careful not to drop the camera ball.
6. Holding the case loosely on the base, turn the camera ball to the desired direction. Use the included small screwdriver to adjust the zoom and focus of the camera ball if needed, via the holes marked "ZOOM" and "FOCUS" on the top of the camera ball.
NOTE: Before securing installation, make sure to check both the day and night images. Adjust the camera ball so that there are no objects blocking the camera's view.
7. **WDR Models Only:** Use the OSD controller joystick to adjust camera settings (see the separate OSD manual).
8. Once the ball is pointing in the desired direction, tighten the outer case ring to secure the camera in its position.
9. Do a final test of the video camera and monitor.
10. Insert the rubber plugs over the zoom and focus to prevent tampering.

ENFORCER Varifocal Vandal Ball-Mount Dome Cameras

Troubleshooting:

The screen is black

- Check that the camera is powered up
- Check that the power supply's polarity is correct
- Check that the monitor is powered up
- Check that the video cable connecting the camera to the monitor is connected properly

The image is foggy or washed out at night

- Check that there are no objects very close to the camera
- Check that there are no highly reflective objects in the scene

The screen image is dim

- Clean the lens using a soft, clean cloth
- Check that the light source is adequate

The screen image has poor contrast

- Adjust the monitor's contrast knob
- Change the position of the camera

The screen image flickers

- Change the position of the camera

The screen image is distorted

- Change the position of the camera

The camera case is hot

- Check that the correct power supply is in use

IR LEDs do not turn on

- Check that the correct power supply is in use

IMPORTANT

Users and installers of this product are responsible for ensuring this product complies with all national, state, and local laws and statutes related to monitoring and recording audio and video signals. SECO-LARM will not be held responsible for the use of this product in violation of any current laws or statutes.

WARNING

Stop using the camera if you see a malfunction such as smoke or unusual heat, as it could cause fire or electric shock. Do not open the case of this device, as there are no field-serviceable components inside.

FCC COMPLIANCE STATEMENT

Information to the user: This equipment has been tested and found to comply with the limits for a class B digital device, pursuant to part 15 of the FCC rules. These limits are designed to provide reasonable protection against harmful interference when the equipment is operated in a commercial environment. This equipment generates, uses, and can radiate radio frequency energy and, if not installed and used in accordance with the instruction manual, may cause harmful interference to radio communications. Operation of this equipment in a residential area is likely to cause harmful interference in which case the user will be required to correct the interference at his or her own expense.

WARRANTY: This SECO-LARM product is warranted against defects in material and workmanship while used in normal service for a period of three (3) years from the date of sale to the original customer. SECO-LARM's obligation is limited to the repair or replacement of any defective part if the unit is returned, transportation prepaid, to SECO-LARM. This Warranty is void if damage is caused by or attributed to acts of God, physical or electrical misuse or abuse, neglect, repair or alteration, improper or abnormal usage, or faulty installation, or if for any other reason SECO-LARM determines that such equipment is not operating properly as a result of causes other than defects in material and workmanship. The sole obligation of SECO-LARM and the purchaser's exclusive remedy, shall be limited to replacement or repair only, at SECO-LARM's option. In no event shall SECO-LARM be liable for any special, collateral, incidental, or consequential personal or property damages of any kind to the purchaser or anyone else.

NOTICE

The information and specifications printed in this manual are current at the time of publication. However, the SECO-LARM policy is one of continual development and improvement. For this reason, SECO-LARM reserves the right to change specifications without notice. SECO-LARM is also not responsible for misprints or typographical errors.

Copyright © 2014 SECO-LARM U.S.A., Inc. All rights reserved. This material may not be reproduced or copied, in whole or in part, without the written permission of SECO-LARM.

SECO-LARM U.S.A., Inc.

16842 Millikan Avenue, Irvine, CA 92606
Tel: 800-662-0800 / 949-261-2999

Website: www.seco-larm.com
E-mail: sales@seco-larm.com



MIEV-27x6-NFvQ_1402.docx