

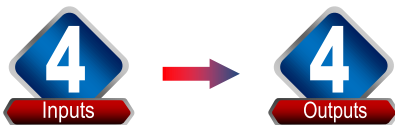
ENFORCER®

MVM-AH44-01YQ 4x4 HDMI Matrix

Manual



HDMI®
HIGH-DEFINITION MULTIMEDIA INTERFACE



- 4 HDMI Inputs and 4 HDMI outputs — each of the four HDMI displays connected to the matrix can display any of the four sources connected to the matrix
- Supports up to 1080p resolution and 3D
- Individual status LEDs for each HDMI input and output
- Use with IR over HDMI Adapter (MVE-PN11-01Q) to control the HDMI matrix or HDMI sources via remote control even if they have been hidden away
- RS-232 control

HDMI, the HDMI Logo and High-Definition Multimedia Interface are trademarks or registered trademarks of HDMI Licensing LLC in the United States and other countries.

SECO-LARM® SLI

FC CE RoHS

Note: Products with model numbers that end with "Q" or that have a round green "Q" sticker signify RoHS-compliant products.

ENFORCER 4x4 HDMI Matrix

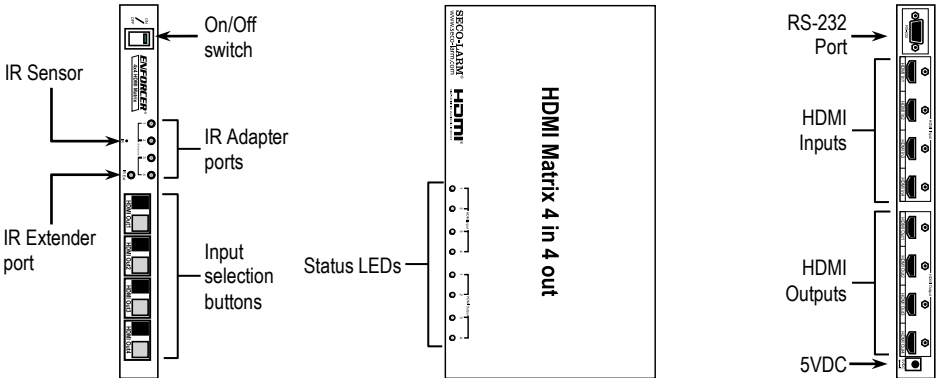
Specifications:

Model	MVM-AH44-01YQ
Type	HDMI Matrix
Input video signal	5.0Vp-p
Video formats supported	High-speed HDMI with 3D, HDCP 1.2
Audio formats supported	LPCM, Dolby-AC3, DTS 7.1, DSD
Output video	HDMI
Resolutions supported	1080p/1080i/720p/576p/576i/480p/480i
Video amplifier bandwidth	6.75Gbps
Video input connector	4x HDMI Type A 19-pin female
Maximum input cable length	24AWG: 50' (15m); 26AWG: 30' (10m); 28AWG: 16' (5m)
Video output connector	4x HDMI Type A 19-pin female
Maximum output cable length	24AWG: 65' (20m); 26AWG: 50' (15m); 28AWG: 16' (5m)
Operating voltage	5VDC
Power supply	3A@5VDC (2.1mm plug)
Current draw	2.1A@5VDC
Operating temperature	32°~158° F (0°~70° C)
Operating humidity	5~90% RH (no condensation)
Dimensions	12 ³ / ₈ "x6 ¹ / ₈ "x1"(315x155x26 mm)
Weight	2-lbs 12.8-oz (1.3kg)

Parts List:

- 1x HDMI Matrix
- 1x 5VDC Power supply
- 1x Remote control
- 1x Manual

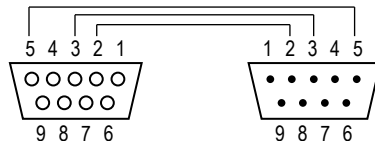
Overview:



RS-232 Port:

RS-232 Port provided for remote control via computer or home automation systems.

Connector	DB-9 Male
Baud rate	9,600bit/s
Data bits	8
Parity	None
Stop bits	1
Flow control	None



Only pins 2 (Rx), 3 (Tx), and 5 (GND) are used.

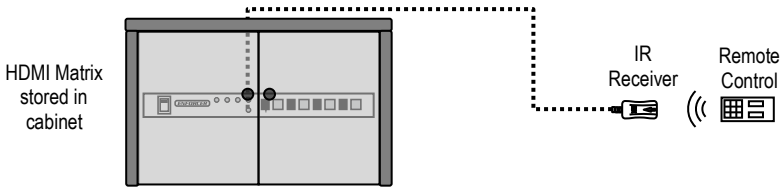
Installation:

HDMI Matrix

1. Determine where the HDMI Matrix will be installed in relation to the HDMI sources and displays the unit will be switching between.
2. Plug the HDMI sources into the HDMI connector inputs on the back of the matrix.
3. Plug the HDMI displays into the HDMI connector outputs on the back of the matrix.
4. Plug the 5VDC adapter into the matrix.
5. Turn on the HDMI sources and displays. Use the included remote or selection buttons on the switch to change the HDMI sources going to the corresponding HDMI displays.

Optional IR Extender

1. Connect the IR receiver from the IR over HDMI Kit (MVE-PN11-01Q – sold separately) to the IR Ext port of the HDMI Matrix.
2. Place the HDMI Matrix out of sight, but leave the IR receiver exposed.
3. When operating the HDMI Matrix remote, point the remote at the IR receiver.



Optional IR Adapters

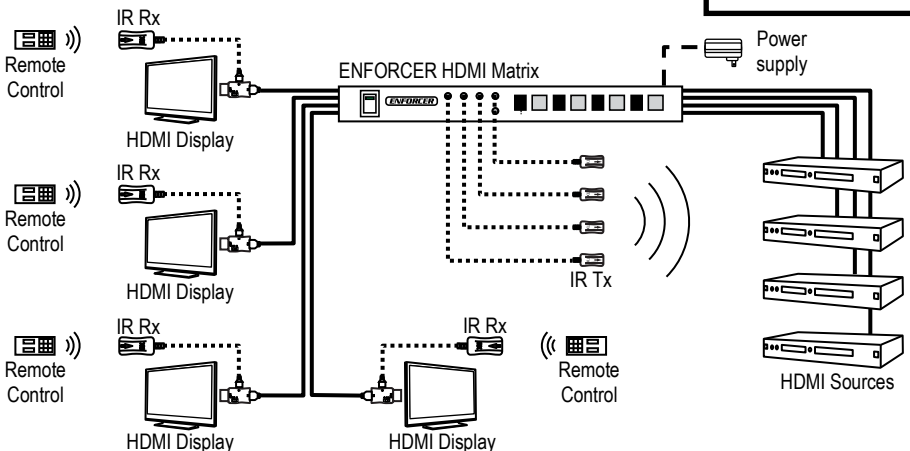
1. Connect the HDMI adapter and IR receiver from the IR over HDMI Kit (MVE-PN11-01Q – sold separately) to the HDMI display.
2. Connect the HDMI cable from the adapter to the HDMI output of the HDMI Matrix.
3. Connect the IR transmitter from the IR over HDMI Kit (MVE-PN11-01Q – sold separately) to the IR port of the HDMI Matrix, making sure to point the IR transmitter at the HDMI sources.
4. When operating the HDMI source remotes, point the remotes at the IR receivers.

Sample Application:

Installation with Optional IR Kit (requires the MVE-PN11-01Q – sold separately)

Cable Legend:

	HDMI
	Power
	IR



Troubleshooting:

HDMI Device does not function correctly.

- Make sure the matrix is powered.
- Make sure the sources and displays are powered.
- Make sure that there are no problems with the HDMI sources, HDMI cables, or HDMI displays by plugging a source directly into the display using the HDMI cable.
- Make sure that the sources and displays are plugged in to the correct connectors.
- Make sure the HDMI sources are compatible with the HDMI displays.

Also Available from SECO-LARM®:

IR over HDMI Adapter



MVE-PN11-01Q

- Transmits IR signals from remotes over HDMI cable
- Plug and play operation

4x1 HDMI Switch



MVS-AH41-01NQ

- Switch between 4 HDMI sources on 1 display
- Plug and play operation

1x4 HDMI Splitter



MVD-AH14-01NQ

- Play 1 HDMI source on up to 4 HDMI displays
- Plug and play operation

HDMI, the HDMI Logo and High-Definition Multimedia Interface are trademarks or registered trademarks of HDMI Licensing LLC in the United States and other countries.

WARRANTY: This SECO-LARM product is warranted against defects in material and workmanship while used in normal service for the one (1) year from the date of sale to the original customer. SECO-LARM's obligation is limited to the repair or replacement of any defective part if the unit is returned, transportation prepaid, to SECO-LARM. This Warranty is void if damage is caused by or attributed to acts of God, physical or electrical misuse or abuse, neglect, repair or alteration, improper or abnormal usage, or faulty installation, or if for any other reason SECO-LARM determines that such equipment is not operating properly as a result of causes other than defects in material and workmanship. The sole obligation of SECO-LARM and the purchaser's exclusive remedy shall be limited to the replacement or repair only, at SECO-LARM's option. In no event shall SECO-LARM be liable for any special, collateral, incidental, or consequential personal or property damage of any kind to the purchaser or anyone else.

NOTICE: The information and specifications printed in this manual are current at the time of publication. However, the SECO-LARM policy is one of continual development and improvement. For this reason, SECO-LARM reserves the right to change specifications without notice. SECO-LARM is also not responsible for misprints or typographical errors. Copyright © 2014 SECO-LARM U.S.A., Inc. All rights reserved. This material may not be reproduced or copied, in whole or in part, without the written permission of SECO-LARM.

SECO-LARM® U.S.A., Inc.

16842 Millikan Avenue, Irvine, CA, 92606 Website: www.seco-larm.com

Tel: (949) 261-2999 | (800) 662-0800 Email: sales@seco-larm.com



MiMVM-AH44-01YQ_1402.docx