

# ENFORCER®

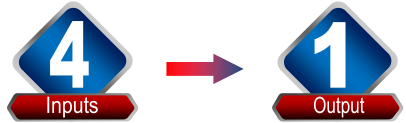
MVS-AH41-01NQ

4x1 HDMI Switch

## Manual



**HDMI®**  
HIGH-DEFINITION MULTIMEDIA INTERFACE



- Add four HDMI inputs to almost any high-definition TV or HDMI display
- Supports up to 1080p resolution and 3D video
- Includes remote control for switching between inputs
- Individual status LEDs for each HDMI input
- Switch will automatically select the active input for added convenience
- Use with IR over HDMI Kit (MVE-PN11-01Q) to control the HDMI switch or HDMI sources via remote control even if they have been hidden away

HDMI, the HDMI Logo and High-Definition Multimedia Interface are trademarks or registered trademarks of HDMI Licensing LLC in the United States and other countries.

**SECO-LARM® SLI**

FC CE RoHS

Note: Products with model numbers that end with "Q" or that have a round green "Q" sticker are RoHS compliant.

## Introduction:

The ENFORCER 4x1 HDMI Switch allows easy switching between multiple HDMI sources. The switch works with most HDMI devices, delivering the very best in digital audio and video signals with HD resolutions of up to 1080p. An included remote control easily switches between HDMI sources. LED Indicators clearly display power status as well as the HDMI source being used. The switch will automatically select the active input for added convenience. The 4x1 HDMI Switches can be daisy chained up to four levels for even more inputs.

## Specifications:

Model	MVS-AH41-01NQG
Type	HDMI Switch
Input video signal	5.0Vp-p
Video formats supported	High-speed HDMI with 3D, HDCP 1.2
Audio formats supported	LPCM, Dolby-AC3, DTS 7.1, DSD
Output video	HDMI
Resolutions supported	1080p/1080i/720p/576p/576i/480p/480i
Video amplifier bandwidth	6.75Gbps
Video input connector	4x HDMI Type A 19-pin female
Maximum input cable length	24AWG: 50' (15m); 26AWG: 30' (10m); 28AWG: 16' (5m)
Video output connector	1x HDMI Type A 19-pin female
Maximum output cable length	24AWG: 65' (20m); 26AWG: 50' (15m); 28AWG: 16' (5m)
Operating voltage	5VDC
Power supply	1.2A@5VDC (2.1mm plug)
Current draw (single unit)	490mA@5VDC
Operating temperature	32°~158° F (0°~70° C)
Operating humidity	5~90% RH (no condensation)
Dimensions	3"x4 <sup>3</sup> / <sub>8</sub> "x1 <sup>5</sup> / <sub>16</sub> " (76x111x24 mm)
Weight	7.8-oz (219g)

## Parts List:

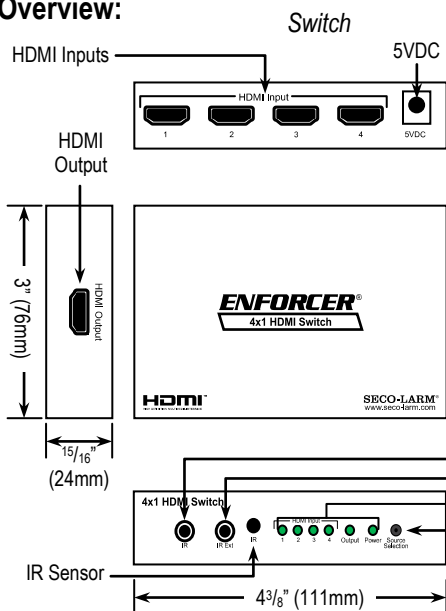
1x HDMI Switch

1x Remote control

1x 5VDC Power supply

1x Manual

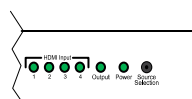
## Overview:



## Status LEDs and Source Selection:

### Output LED:

Illuminated when the HDMI display is connected and ON.



### Input LEDs (1~4):

Illuminated when the corresponding HDMI source is connected and ON.

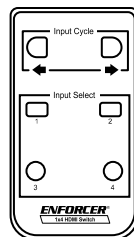
### Power LED:

Illuminated when power is connected to the splitter.

### Source Selection Button:

Press to cycle through the HDMI sources.

## Remote



**Installation:**

*HDMI Switch*

1. Determine the location of where the HDMI Switch will be installed in relation to the HDMI sources and HDMI display.
2. Plug the HDMI sources into the HDMI connector inputs on the back of the switch.
3. Plug the HDMI display into the HDMI connector output on the side of the switch.
4. Plug the 5VDC adapter into the switch.
5. Turn the power on the HDMI sources and display device. Using the included remote or selection button on the switch, change the HDMI sources going to the HDMI display.

*Optional IR Extender*

1. Connect the IR receiver from the IR over HDMI Kit (MVE-PN11-01Q – sold separately) to the IR extender port of the HDMI Switch.
2. Place the HDMI Switch out of sight, but leave the IR receiver exposed.
3. When operating the HDMI Switch remote, point the remote at the IR receiver.

*Optional IR Adapter*

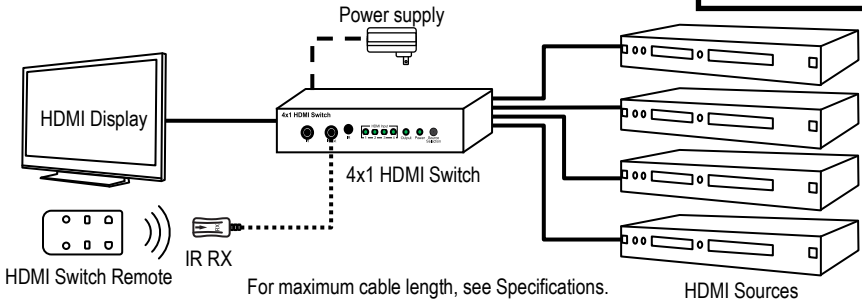
1. Connect the HDMI adapter and IR receiver from the IR over HDMI Kit (MVE-PN11-01Q – sold separately) to the HDMI display.
2. Connect the HDMI cable from the adapter to the HDMI output of the HDMI Switch.
3. Connect the IR transmitter from the IR over HDMI Kit (MVE-PN11-01Q – sold separately) to the IR adapter port of the HDMI Switch, making sure to point the IR transmitter at the HDMI sources.
4. When operating the HDMI source remotes, point the remotes at the IR receiver.

**Sample Application:**

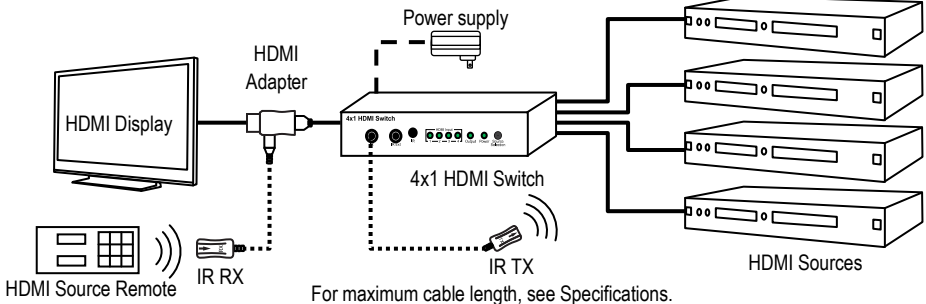
*Installation with Optional IR Extender for controlling a concealed HDMI Switch with remote (requires the MVE-PN11-01Q – sold separately)*

**Cable Legend:**

- HDMI
- - - Power
- ..... IR



*Installation with Optional IR Adapter for controlling concealed HDMI sources with remote (requires the MVE-PN11-01Q – sold separately)*



## Troubleshooting:

HDMI Device does not function correctly.

- Make sure the switch is powered.
- Make sure the source(s) and display are powered.
- Make sure that there are no problems with the HDMI source, HDMI cables, or HDMI display by plugging a source directly into the display using the HDMI cables.
- Make sure that the source(s) and display are plugged in to the correct connectors.
- Make sure the HDMI source(s) are compatible with the HDMI display.

## Also Available from SECO-LARM®:

### IR over HDMI Kit



#### MVE-PN11-01Q

- Transmits IR signals from remotes over HDMI cable
- Plug and play operation – comes as a complete set

### High-Speed HDMI Cables

<b>MC-1102-18NQ</b>	1.5ft (0.5m), 28AWG
<b>MC-1102-03FQ</b>	3ft (1m), 28AWG
<b>MC-1102-06FQ</b>	6m (1.83m), 28AWG
<b>MC-1102-10FQ</b>	10ft (3m), 28AWG
<b>MC-1102-16FQ</b>	16ft (5m), 28AWG
<b>MC-1102-20FQ</b>	20ft (6m), 26AWG
<b>MC-1102-25FQ</b>	25ft (7.6m), 26AWG
<b>MC-1102-30FQ</b>	30ft (9m), 26AWG
<b>MC-1102-50FQ</b>	50ft (15m), 26AWG



- Supports 3D video
- Supports 4K resolution
- Supports Ethernet
- Lifetime warranty

HDMI, the HDMI Logo and High-Definition Multimedia Interface are trademarks or registered trademarks of HDMI Licensing LLC in the United States and other countries.

**WARRANTY:** This SECO-LARM product is warranted against defects in material and workmanship while used in normal service for the one (1) year from the date of sale to the original customer. SECO-LARM's obligation is limited to the repair or replacement of any defective part if the unit is returned, transportation prepaid, to SECO-LARM. This Warranty is void if damage is caused by or attributed to acts of God, physical or electrical misuse or abuse, neglect, repair or alteration, improper or abnormal usage, or faulty installation, or if for any other reason SECO-LARM determines that such equipment is not operating properly as a result of causes other than defects in material and workmanship. The sole obligation of SECO-LARM and the purchaser's exclusive remedy shall be limited to the replacement or repair only, at SECO-LARM's option. In no event shall SECO-LARM be liable for any special, collateral, incidental, or consequential personal or property damage of any kind to the purchaser or anyone else.

**NOTICE:** The information and specifications printed in this manual are current at the time of publication. However, the SECO-LARM policy is one of continual development and improvement. For this reason, SECO-LARM reserves the right to change specifications without notice. SECO-LARM is also not responsible for misprints or typographical errors. Copyright © 2013 SECO-LARM U.S.A., Inc. All rights reserved. This material may not be reproduced or copied, in whole or in part, without the written permission of SECO-LARM.

## SECO-LARM® U.S.A., Inc.

16842 Millikan Avenue, Irvine, CA 92606  
Tel: (949) 261-2999 | (800) 662-0800

Website: [www.seco-larm.com](http://www.seco-larm.com)  
Email: [sales@seco-larm.com](mailto:sales@seco-larm.com)



MiMVS-AH41-01NQ\_1404.docx