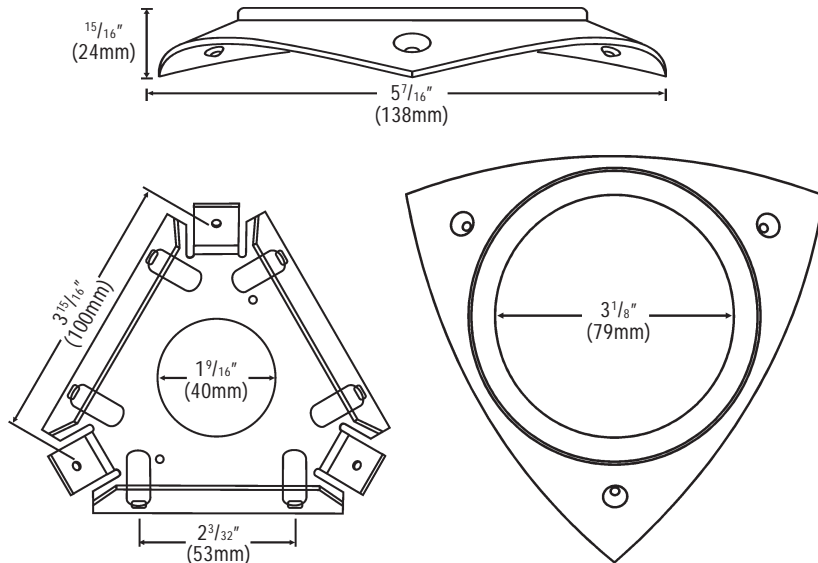


ENFORCER Dome Camera Corner Mounting Bracket

Dimensions:



IMPORTANT

Users and installers of this product are responsible for ensuring this product complies with all national, state, and local laws and statutes related to monitoring and recording audio and video signals. SECO-LARM will not be held responsible for the use of this product in violation of any current laws or statutes.

WARRANTY: This SECO-LARM product is warranted against defects in material and workmanship while used in normal service for a period of one (1) year from the date of sale to the original consumer customer. SECO-LARM's obligation is limited to the repair or replacement of any defective part if the unit is returned, transportation prepaid, to SECO-LARM.

This Warranty is void if damage is caused by or attributed to acts of God, physical or electrical misuse or abuse, neglect, repair, or alteration, improper or abnormal usage, or faulty installation, or if for any other reason SECO-LARM determines that such equipment is not operating properly as a result of causes other than defects in material and workmanship.

The sole obligation of SECO-LARM, and the purchaser's exclusive remedy, shall be limited to replacement or repair only, at SECO-LARM's option. In no event shall SECO-LARM be liable for any special, collateral, incidental, or consequential personal or property damages of any kind to the purchaser or anyone else.

NOTICE

The information and specifications printed in this manual are current at the time of publication. However, the SECO-LARM policy is one of continual development and improvement. For this reason, SECO-LARM reserves the right to change specifications without notice. SECO-LARM is also not responsible for misprints or typographical errors.

Copyright © 2008 SECO-LARM U.S.A., Inc. All rights reserved. This material may not be reproduced or copied, in whole or in part, without the written permission of SECO-LARM.

SECO-LARM® U.S.A., Inc.

16842 Millikan Avenue, Irvine, CA 92606
Tel: 800-662-0800 / 949-261-2999 Fax: 949-261-7326

Website: www.seco-larm.com
E-mail: sales@seco-larm.com

MiniVandalDomeCornerBracket.pmd
PITTW1

ENFORCER® Video

MANUAL VB-CN1Q Dome Camera Corner Mounting Bracket



Use with:

EV-1223C12
EV122C-2
EV-122B-4

Installation:

1. Select corner and run power and video to location.
2. Mount inner bracket to wall and ceiling using 6 wall screws (use wall anchors as necessary).
3. Connect power and video to camera and adjust camera angle.
4. Install outer bracket over camera and attach to inner bracket using the machine screws.

Parts List:

1 x Inner Bracket
1 x Outer Bracket
3 x Machine Screws
6 x Wall Screws
6 x Wall Anchors

SLI®
SECO-LARM®

