

ENFORCER®

EB-P101-25WQ

Weatherproof Passive Video Balun

Installation Manual



- Weatherproof for outdoor applications
- Transmits up to 1,300ft (400m) color video or up to 1,950ft (600m) B/W video
- Passive operation – No external power required
- Uses low-cost Cat5e/6 cable instead of costly coaxial cable
- High immunity from interference
- Pigtailed for flexible installations
- Built-in surge protection

SECO-LARM® SLI

FC CE 

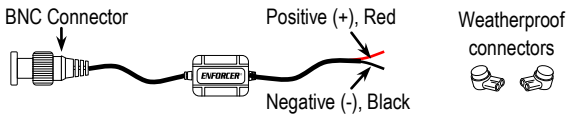
Note: Products with model numbers that end with "Q" or that have a round green "Q" sticker are RoHS compliant.

Specifications:

Video	Range*	B/W	1,950' (600m)
		Color	1,300' (400m)
	Video format	NTSC, PAL, SECAM	
	Maximum input	1.1Vp-p	
	Insertion loss	<2dB per pair from DC~6MHz	
	Return loss	>15dB from DC~6MHz	
	Frequency response	DC~6MHz	
	Common mode rejection	>40dB, 15kHz~6MHz	
Connections	Wire type	UTP (Unshielded Twisted Pair) 24~16 AWG	
	Wire category	Cat2~Cat6	
	UTP Connection	Silver plated	
	Attenuation	DC~6MHz, 6.6dB max.	
	Impedence	Coax, male BNC	75Ω@1MHz
2 Wires		100Ω@1MHz	
Other	DC Loop resistance	52Ω/1,000ft (52Ω/305m)	
	Differential capacitance	19pF/ft max. (62pF/m max.)	
	Power	No power required	
	Operating temperature	32°~131° F (0°~55° C)	
	Storage temperature	-4°~158° F (-20°~70° C)	
	Humidity range	0~95 % (Non-condensing)	
	Case	ABS Plastic	
	Weight	0.7-oz (20g)	
	Cable length (BNC side)	5" (127mm)	
	Dimensions (Housing)	1 ¹ / ₈ " x 1 ¹ / ₁₆ " x 1 ¹ / ₁₆ " (30x18x18 mm)	

*Shorter range may occur when used with a DVR.

Overview:

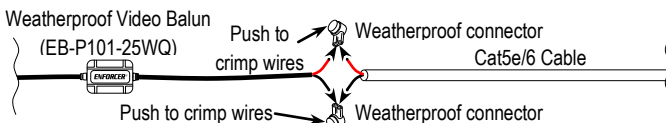


Parts List:

- 1x Weatherproof balun
- 6x Weatherproof connectors
- 1x Manual

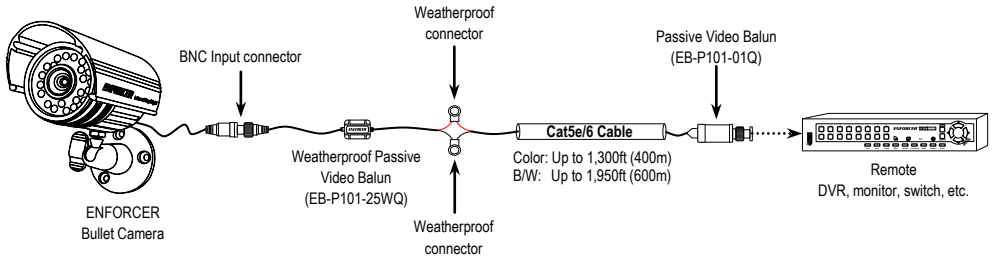
Installation:

1. Video baluns are connected in pairs. Connect one balun to the CCTV camera's BNC connector. Connect another balun to the BNC connector of a DVR or other remote device.
2. The distance between the camera and the remote video device must not exceed 1,950ft (600m) for black and white video or 1,300ft (400m) for color video.
3. Run Cat5e/6 cable (UTP) from the remote video device to the camera.
4. Connect Cat5e/6 cable to both baluns using the weatherproof connector to connect the wires.
 - a. Insert the wires into the weatherproof connector—positive with positive and negative with negative.
 - b. Push down on the weatherproof connector to crimp the two wires.
 - c. Repeat steps a. and b. for the remaining wires.
5. Connect the video baluns to the BNC connector of the CCTV camera and remote video device.
6. Test the connection by powering up the CCTV camera and remote video device to make sure they operate as expected.



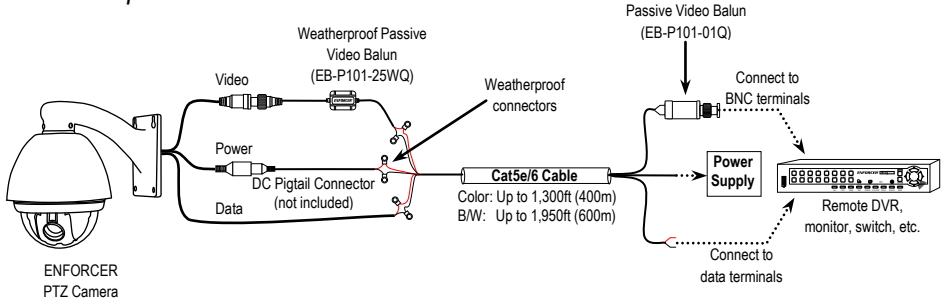
Sample Installations:

CCTV Camera with an EB-P101-25WQ



Note: Shorter range may occur when used with a DVR.

Connecting Video, Power, and Data with a Weatherproof Passive Video Balun and Weatherproof Connectors



Note: Shorter range may occur when used with a DVR.

Troubleshooting:

Wavy or ghost image if connected to image processor (e.g., multiplexer or DVR), but not if directly to monitor.

- Move the Cat5e/6 cable away from possible sources of interference.
- Ensure that the same twisted pair connects to a balun at both ends of the cable.
- Replace the cable with a new Cat5e/6 cable.

Image background flutters between dark and light.

- Remove a local power source, or adjust the monitor's brightness and contrast.

Image is wavy and shakes.

- Try reversing polarity of the two wires at one end of the Cat5e/6 cable.

Image is weak or faded.

- Reduce the Cat5e/6 cable length.
- Replace with a higher-grade cable. Cat5e cable meets the specifications in the manual. Cat6 cable allows longer range.

No image.

- Double-check that the Cat5e/6 and BNC cables are connected properly.
- Run a continuity test on all wires in the cable.
- Check that the camera and monitor are powered up.

Other Passive Video Baluns Available from SECO-LARM:



Passive Video Balun



Passive Video Balun with Ground Loop Isolator



Passive Video, Power, and Data Balun



Passive Video Balun with 6" Pigtail



4-Port Passive Video Transceiver



16-Port Passive Video Transceiver

IMPORTANT: Users and installers of this product are responsible for ensuring this product complies with all national, state, and local laws and statutes related to monitoring and recording audio and video signals. SECO-LARM will not be held responsible for the use of this product in violation of any current laws or statutes.

WARNING: Incorrect mounting which leads to exposure to rain or moisture inside the enclosure could cause a dangerous electric shock, damage the device, and void the warranty. Do not open the case of this device, as there are no field-serviceable components inside.

WARRANTY: This SECO-LARM product is warranted against defects in material and workmanship while used in normal service for a period of two (2) years from the date of sale to the original consumer customer. SECO-LARM's obligation is limited to the repair or replacement of any defective part if the unit is returned, transportation prepaid, to SECO-LARM. This Warranty is void if damage is caused by or attributed to acts of God, physical or electrical misuse or abuse, neglect, repair, or alteration, improper or abnormal usage, or faulty installation, or if for any other reason SECO-LARM determines that such equipment is not operating properly as a result of causes other than defects in material and workmanship. The sole obligation of SECO-LARM, and the purchaser's exclusive remedy, shall be limited to replacement or repair only, at SECO-LARM option. In no event shall SECO-LARM be liable for any special, collateral, incidental, or consequential personal or property damages of any kind to the purchaser or anyone else.

NOTICE: The information and specifications printed in this manual are current at the time of publication. However, the SECO-LARM policy is one of continual development and improvement. For this reason, SECO-LARM reserves the right to change specifications without notice. SECO-LARM is also not responsible for misprints or typographical errors.

Copyright © 2012 SECO-LARM U.S.A., Inc. All rights reserved. This material may not be reproduced or copied, in whole or in part, without the written permission of SECO-LARM.

SECO-LARM U.S.A., Inc.

16842 Millikan Avenue, Irvine, CA 92606

Tel: 800-662-0800 / 949-261-2999 Fax: 949-261-7326

Website: www.seco-larm.com

E-mail: sales@seco-larm.com



MIEB-P101-25WQ_1212.docx