

# **ENFORCER<sup>®</sup>**

## **EV-4606-N3SBQ Corner-Mount Camera Manual**



- 1000 TV Lines
- Weatherproof (IP65)
- 1/3" Sony Super HAD II CCD
- 2.9mm Lens (135° viewing angle)
- 30 Covert IR LEDs for discreet monitoring in the dark
- DWDR (Digital Wide Dynamic Range) provides clear images in varying environments
- DNR (Digital Noise Reduction) cleans and sharpens images by reducing camera noise

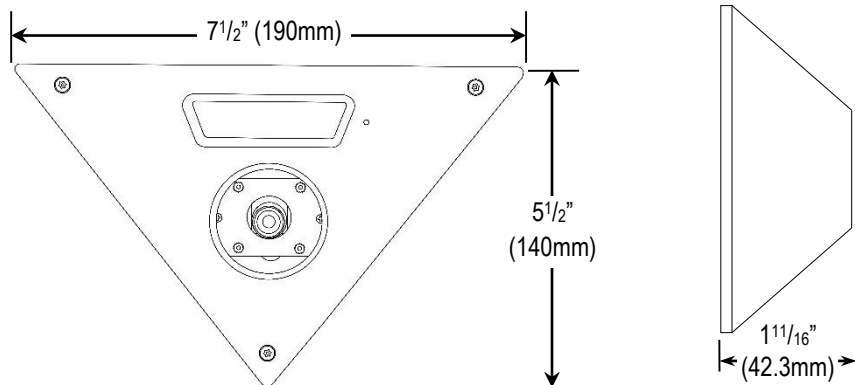
**Specifications:**

<b>Model</b>		<b>EV-4606-N3SBQ</b>
<b>Type</b>		Corner-Mount Camera
<b>CMOS</b>		1/3" 1.3MP Sony IMX238
<b>Resolution</b>		1000 TV Lines
<b>Video output format</b>		NTSC
<b>Effective pixels</b>		1305x1049 pixels
<b>3D-NR</b>		Yes
<b>DWDR</b>		Yes
<b>Scanning system</b>		Progressive scan
<b>Sync</b>		Internal
<b>Video output format</b>		1.0Vp-p Composite video, 75Ω
<b>Lens</b>		2.9mm
<b>Viewing Angle</b>		135°
<b># of IR LEDs</b>		30 (940nm)
<b>IR Range</b>		Up to 80' (25m)
<b>Minimum illumination</b>	LEDs OFF	0.001 Lux
	LEDs ON	0.1 Lux
<b>Gamma correction</b>		Yes
<b>S/N Ratio</b>		>50dB
<b>Shutter control</b>		Auto Electric Shutter (AES), 1/60~1/60,000 s
<b>Gain control</b>		Auto
<b>White balance</b>		Auto
<b>Operating voltage</b>		12VDC
<b>Current draw</b>	LEDs OFF	80mA@12VDC
	LEDs ON	250mA@12VDC
<b>IP Rating</b>		IP65
<b>Operating temperature</b>		-14°~122° F (-10~50° C)
<b>Dimensions</b>		7 1/2"x5 1/2"x1 11/16" (190x140x43 mm)
<b>Cable length</b>		2'3" (0.7m)
<b>Weight</b>		15-oz (430g)

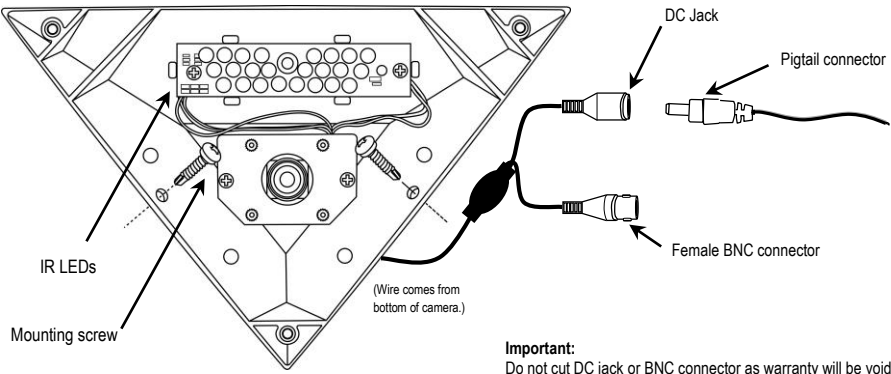
**Parts List:**

- |            |                     |                     |                       |
|------------|---------------------|---------------------|-----------------------|
| 1 x Manual | 1 x Camera cover    | 3 x Security screws | 1 x Pigtail connector |
| 1 x Camera | 2 x Mounting screws | 1 x Security wrench |                       |

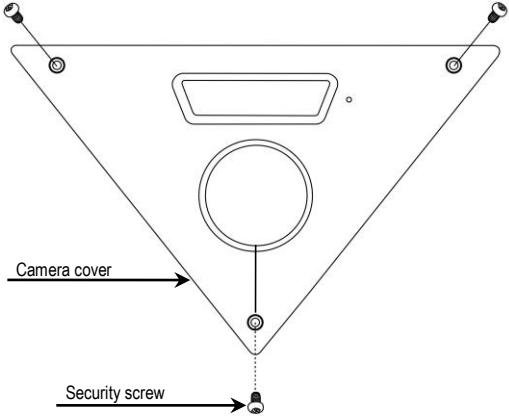
**Dimensions:**



**Overview:**



**Important:**  
Do not cut DC jack or BNC connector as warranty will be voided.



**Before Starting:**

1. Please read this manual carefully and keep it for future reference.
2. Use the camera within given temperature and electrical limits.
3. Do not point the camera at the sun. Heat could damage the camera, even when not in use.
4. Do not mount the camera in areas exposed to radiation, strong magnetic fields, or strong electrical signals.
5. Do not open or disassemble the camera. There are no field-serviceable parts inside
6. Do not drop the camera or subject it to strong vibrations.

**Installation:**

1. Run a 12VDC power supply wire and a video cable with a male BNC connector through the wall at the corner where the camera is to be mounted
2. Use the included security wrench to loosen the screws and remove the camera cover from the camera.
3. Reconnect the power supply and video cable. Turn the monitor on and make sure the camera is sending the proper signal.
4. Temporarily connect the camera to the power supply. **Do not cut DC jack or female BNC connector as warranty will be voided. If needed, use the included pigtail connector.**
5. Mount the camera against the corner using the two included mounting screws. If the wall is made of dry wall, brick, or similar material, it may be necessary to use screw anchors (not included)
6. Disconnect the power supply and video cable.
7. While watching the monitor, hold the camera against the corner where it is to be mounted until it is certain that this mounting location is correct. Use a pencil to mark the location of the two screw holes.
8. Attach the base cover using the included security wrench.
9. Do a final test of the video camera and monitor.

## Troubleshooting:

---

The screen is blank.

- Check that the camera is powered up.
  - Check that the power supply's polarity is correct.
  - Check that the monitor is powered up.
  - Check that the video cable connecting the camera to the monitor is connected properly.
- 

The screen image is dim

- Clean the lens using a soft, clean cloth.
  - Check that the light source is adequate.
- 

The screen image has poor contrast.

- Adjust the monitor's contrast knob.
  - Change the position of the camera.
- 

The screen image flickers.

- Change the position of the camera.
- 

The screen image is distorted.

- Change the position of the camera.
- 

The camera case is hot.

- Check that the correct power supply is in use.
- 

IR LEDs do not turn on.

- Check that the correct power supply is in use.
- 

### IMPORTANT

Users and installers of this product are responsible for ensuring this product complies with all national, state, and local laws and statutes related to monitoring and recording audio and video signals. SECO-LARM will not be held responsible for the use of this product in violation of any current laws or statutes.

---

### WARNING

Stop using the camera if you see a malfunction such as smoke or unusual heat, as it could cause fire or electric shock. Do not open the case of this device, as there are no user-serviceable components inside.

---

### FCC COMPLIANCE STATEMENT

Information to the user: This equipment has been tested and found to comply with the limits for a class B digital device, pursuant to part 15 of the FCC rules. These limits are designed to provide reasonable protection against harmful interference when the equipment is operated in a commercial environment. This equipment generates, uses, and can radiate radio frequency energy and, if not installed and used in accordance with the instruction manual, may cause harmful interference to radio communications. Operation of this equipment in a residential area is likely to cause harmful interference in which case the user will be required to correct the interference at his or her own expense.

---

**WARRANTY:** This SECO-LARM product is warranted against defects in material and workmanship while used in normal service for a period of one (1) year from the date of sale to the original consumer customer. SECO-LARM's obligation is limited to the repair or replacement of any defective part if the unit is returned, transportation prepaid, to SECO-LARM.

This Warranty is void if damage is caused by or attributed to acts of God, physical or electrical misuse or abuse, neglect, repair or alteration, improper or abnormal usage, or faulty installation, or if for any other reason SECO-LARM determines that such equipment is not operating properly as a result of causes other than defects in material and workmanship.

The sole obligation of SECO-LARM, and the purchaser's exclusive remedy, shall be limited to replacement or repair only, at SECO-LARM's option. In no event shall SECO-LARM be liable for any special, collateral, incidental, or consequential personal or property damages of any kind to the purchaser or anyone else.

---

### NOTICE

The information and specifications printed in this manual are current at the time of publication. However, the SECO-LARM policy is one of continual development and improvement. For this reason, SECO-LARM reserves the right to change specifications without notice. SECO-LARM is also not responsible for misprints or typographical errors. Trademarks are the property of SECO-LARM USA Inc. or their respective owners.

Copyright © 2016 SECO-LARM U.S.A., Inc. All rights reserved. This material may not be reproduced or copied, in whole or in part, without the written permission of SECO-LARM.

---

**SECO-LARM® U.S.A., Inc.**  
16842 Millikan Avenue, Irvine, CA 92606  
Tel: 800-662-0800 / 949-261-2999

Website: [www.seco-larm.com](http://www.seco-larm.com)  
E-mail: [sales@seco-larm.com](mailto:sales@seco-larm.com)

 PIKSR1  
MIEV-4606-N3SBQ.docx